

Smart Solutions To Keep You Moving!

Ensign is an industry leader in controlled dumping technology.

From standard products to automated systems, our full line of dumpers are designed to move your materials from bulk containers to your processing equipment efficiently and effectively.

Constructed from mild or stainless steel, our equipment is offered in several sizes, capacities and options to meet the spectrum of process requirements.

Ensign dumpers are built with pride using only high quality components and designed for years of trouble-free operation. When you need it, superior customer service is immediately available from the Ensign Service Team. Most parts are in stock and available to ship same day.

Key features:

- Heavy duty steel construction
- Ground entry loading
- 2500lbs lift capacity
- Flared entry guides
- Baldor TEFC motors
- Parker pumps
- Dual hydraulic cylinders, 2" bore, 24" stroke
- Bronze cylinder bushings
- AB and Hoffman electrical components
- Roller type main pivot bearings, IPTCI
- Industry leading two year warranty on all parts and workmanship

See back page for additional options and specifications.



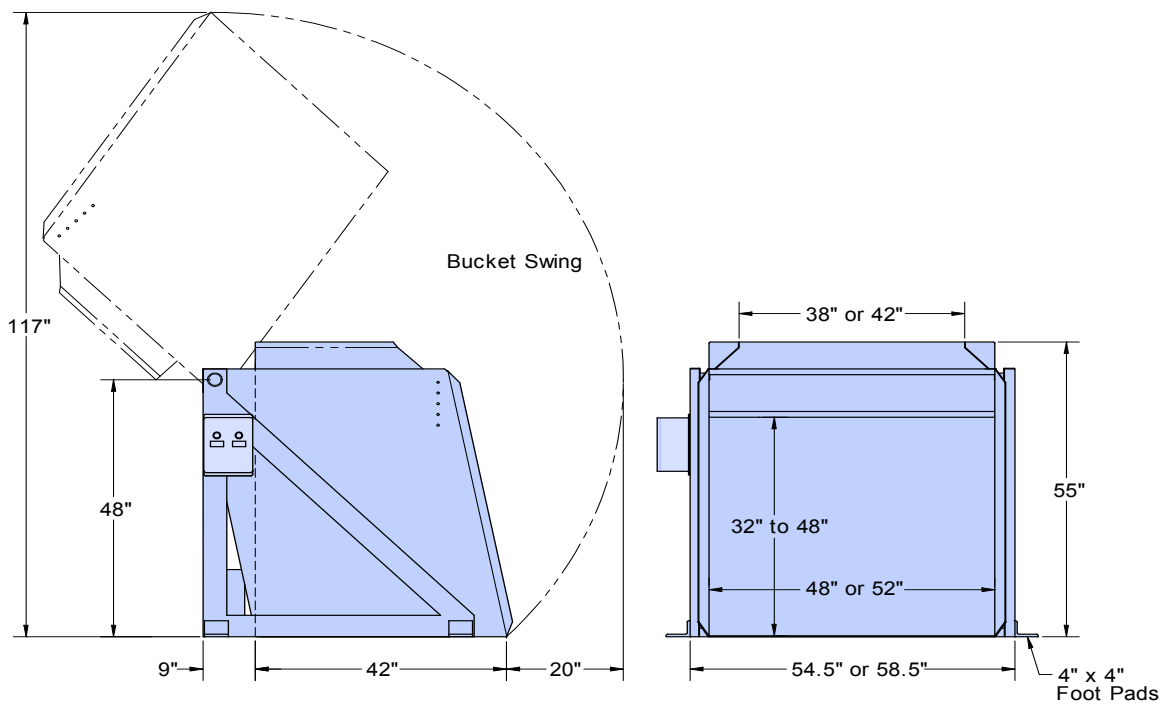
Hydraulic Box Dumper - Reliant

Standard Features:

- Ground entry loading
- 135 degree bucket rotation
- Dual hydraulic cylinders, 2" bore, 1.5" rod
- 1.5HP TEFC motor
- 1GPM pump
- NEMA 12 control panel w/ momentary up / down push buttons
- Up cycle complete limit switch
- Down cycle flow control valve
- Roller type main pivot bearings
- Adjustable retaining bar 32" - 48"
- Gaylord entry guides
- Ensign Blue Epoxy

Optional Features:

- Auto / manual tilt controls & automation
- UL certified control panel
- Dump stands and work platforms
- Extended dump heights
- Custom sizes
- Floor grates
- Dust hoods and special discharge gates
- Auto seal lids
- Safety cages
- Hydraulic velocity fuse for added safety
- Stainless steel bucket, chutes and liners
- UHMW protective liners
- Custom Paints and Coatings



Model No.	Description	Bucket Width	Elec	Lift / lbs
37-2500	Hydraulic Box Dumper - Reliant	48"	3PH	2500
37-4800	Hydraulic Box Dumper - Reliant	52"	3PH	2500
32-2500	Side Load Hydraulic Box Dumper	50"	3PH	2500

* Standard products listed above. Other sizes and capacities available.

ENSIGN EQUIPMENT INC.
12523 Superior Court
Holland, MI 49424

ph: 616.738.9000 (or) 800.753.8947
fax: 616.738.9001

www.ensigneq.com
sales@ensigneq.com

