

PORTABLE STORAGE BINS

Porta-Stors

Smart Solutions To Keep You Moving!

Ensign's portable storage bins, also known as **Porta-Stors**, are an economical in-plant storage solution for almost any material handling system.

Ranging in sizes from 20 cubic feet to 100 cubic feet capacity, Ensign can provide portable storage bins to replace boxes and Gaylords. This can greatly reduce storage, waste and handling costs over the life of the bin.



For material storage to point-of-use processing, *Porta-Stors* are an economical solution.

Whatever your process requirements may be, we look forward to providing a smart solution for you!

Key features:

- Heavy duty steel construction for long life
- Transportable by forklift or pallet jack (see options)
- Industry standard or custom discharge gates
- 42 and 60 degree hopper slopes
- Drop bottom bin for sluggish materials
- Painted steel or stainless steel
- Many options to help meet your specific process requirements
- Industry leading two year warranty on all parts and workmanship

See back page for additional options and specifications.

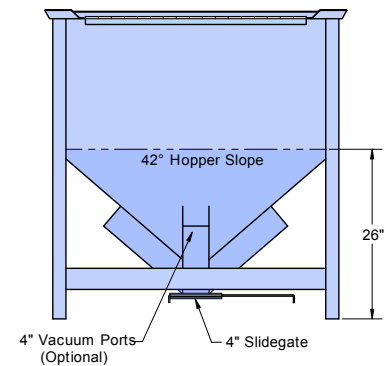
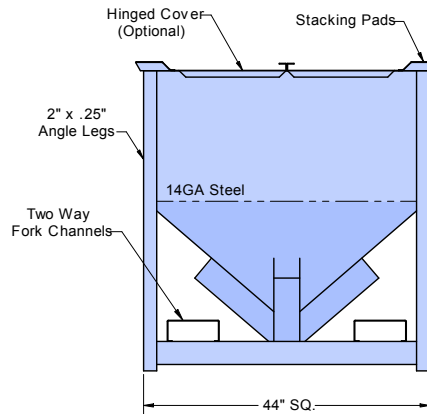
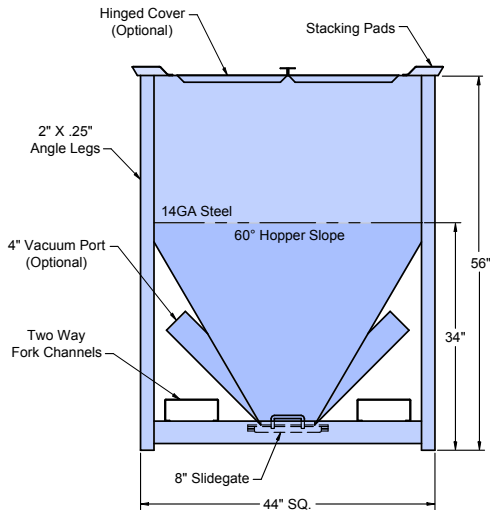
Portable Storage Bins

Standard Features:

- Two-way fork channels
- Flared stacking pads
- 14ga hopper
- 2" x 2" x 1/4" angle legs
- 42 or 60 degree hopper slope
- 4" slide gate on 42 deg hopper
- 8" slide gate on 60 deg hopper
- Open top
- Ensign Blue epoxy

Optional Features:

- 50/50 hinged cover
- 1/3 hinged cover w/ loader pattern
- One piece lay-on cover
- Pallet jack entries
- Vacuum ports
- Vacuum take-away boxes (VTA's)
- Foot pads
- Casters (swivel, locking or straight)
- Stainless steel construction
- Various slide and swing gates
- View windows
- Custom sizes, heights and shapes
- Lexan card holders



Model	Slope	Capacity (level full)	Height	Height w/ vac ports
40-2000	42 deg	20cf	32"	36"
40-3000	42 deg	30cf	42"	46"
40-4000	42 deg	40cf	52"	56"
40-5000	42 deg	50cf	62"	66"
40-6000	42 deg	60cf	72"	76"
40-2300	60 deg	24cf	46"	same
40-3300	60 deg	35cf	56"	same
40-4300	60 deg	43cf	64"	same
40-5300	60 deg	54cf	74"	same
40-3400*	55 / 66 deg	30cf	46"	NA

* Drop bottom bin for sluggish material (20" x 28" opening)

ENSIGN EQUIPMENT INC.
12523 Superior Court
Holland, MI 49424

ph: 616.738.9000 (or) 800.753.8947
fax: 616.738.9001

www.ensigneq.com
sales@ensigneq.com

