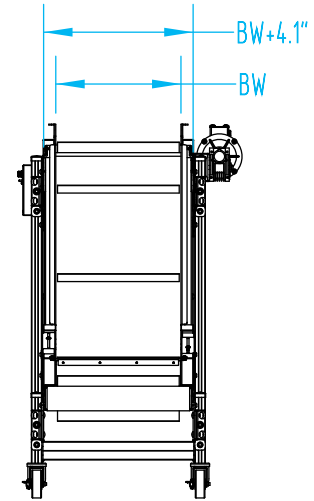
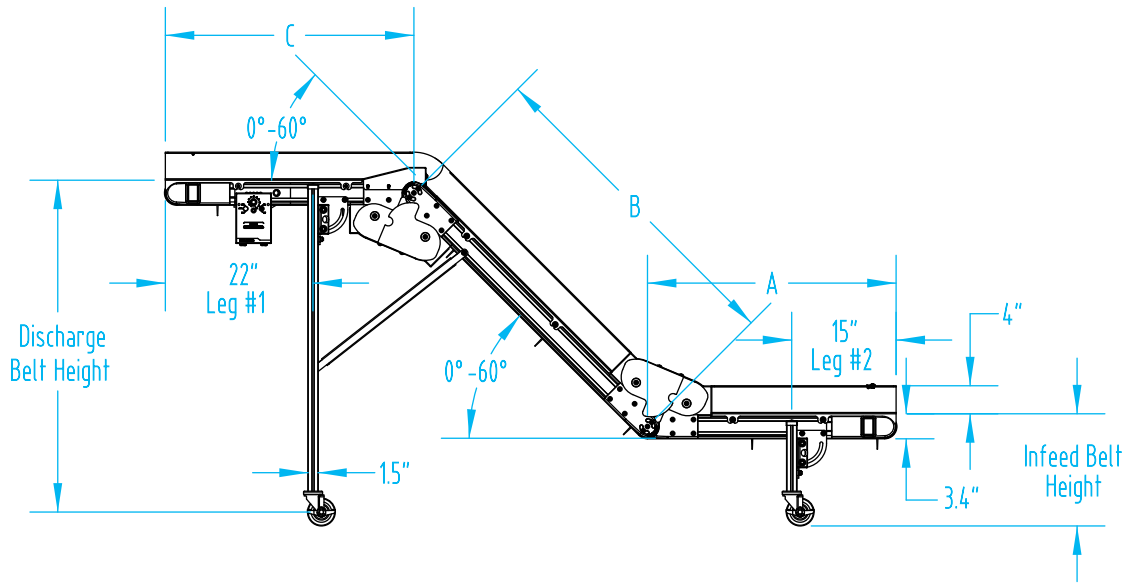
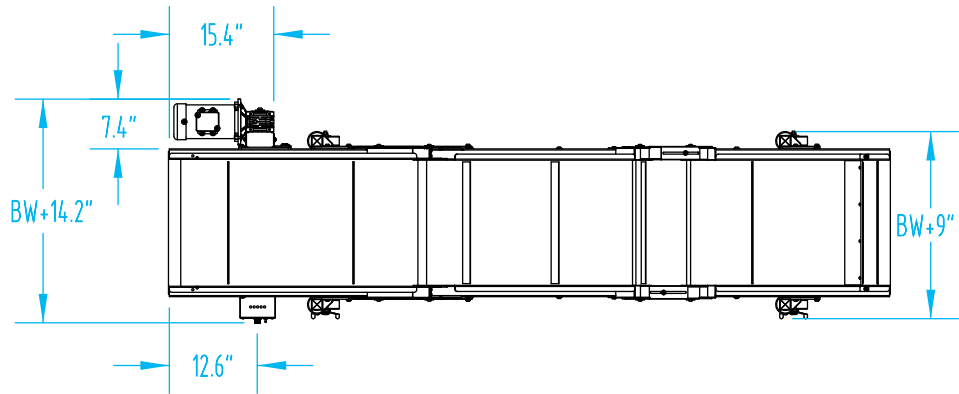


EAZ Conveyor - Assembled View

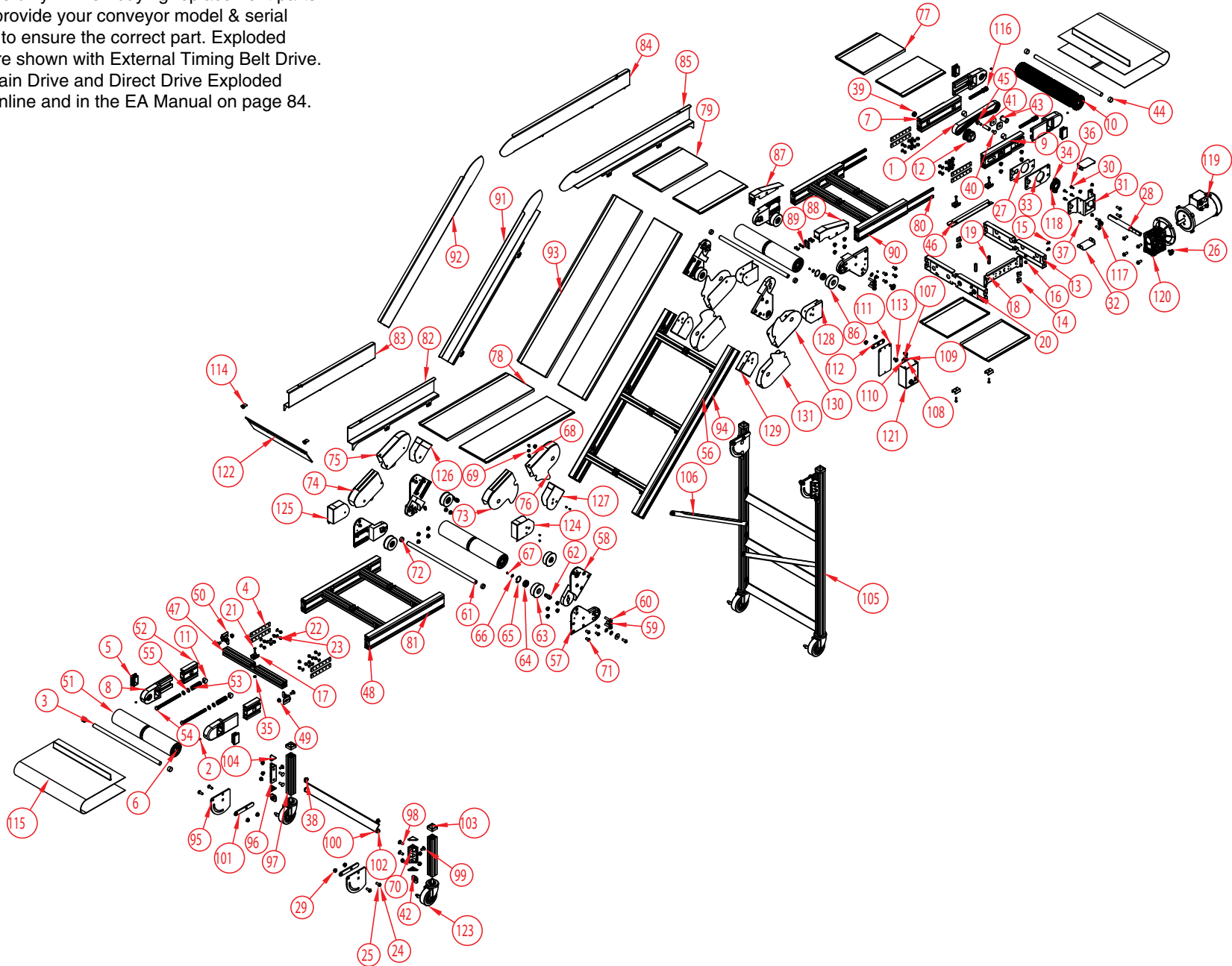
EAZ Conveyor - Dimensional Drawing



Section VIII. Parts Lists and 3-D Drawings

EAZ Conveyor - Exploded View

Part numbers listed in this document are for reference only. When buying replacement parts please provide your conveyor model & serial number to ensure the correct part. Exploded views are shown with External Timing Belt Drive. Find Chain Drive and Direct Drive Exploded Views online and in the EA Manual on page 84.



Section VIII. Parts Lists and 3-D Drawings

EAZ Conveyor - Parts List

QTY.	PART NO.	DESCRIPTION	QTY.	PART NO.	DESCRIPTION		
1	1	CP-4511	34	2	CP-282	TIMING BELT 3/8" PITCH 1" WIDE 30" LONG	SLOTTED FLAT HEAD SCREW .250-20 x .750
2	4	CP-350	35	10	CP-600	SOCKET HEAD SET SCREW .250-20 x .250	1/4-20 PLATED ELASTIC LOCK NUT
3	2	Contact EMI	36	4	CP-7337	TAIL SHAFT FOR EA CONVEYOR	HEX HEAD SCREW M6 x 16
4	8	2X-27-4	37	32	CP-4536	FRAME CONNECTION PLATE	1/4-20 X 1/2" BLACK OXIDE TORX BUTTON CAP SCREW
5	4	CP-3532	38	24	CP-3343	PLASTIC CAP 1.500x2.500 RECTANGLE	LOCK WASHER .250 SPLIT RING
6	8	CP-4592	39	1	CP-1240	20MM BALL BEARING SELF ALIGNING	7/8" GROOVE DIAMETER RUBBER GROMMET
7	1	2X-44-2-2	40	31	CP-457	FRAME SIDE FOR DRIVE HEAD	CARRIAGE BOLT .375-16 x .750
8	4	2X-14-1-1	41	1	4S-41-37-175	TAKE-UP BRACKET FOR EA CONVEYOR	5/8" DIAMETER SST CROSS BRACE
9	1	2X-44-2-1	42	6	2X-14-6-3	FRAME SIDE FOR DRIVE HEAD	LEG MOUNTING BRACKET STOP
10	1	Contact EMI	43	1	2X-15-1	DRIVE PULLEY FOR EA CONVEYOR	DELTRIN IDLER ROLLER
11	4	2X-55-1	44	4	CR-31-27-14	TAKE-UP NUT FOR EA CONVEYOR	25mm O.D. DRIVE SHAFT SPACER
12	1	2X-10-2	45	1	CP-2939	19 TOOTH L SERIES TIMING PULLEY	HEX SERRATED FLANGE SCREW 0.375-16x1.000" ZINC PLATED
13	2	2X-41-2-W (CF)	46	1	2X-45-11	FRAME BRACE FOR DRIVE HEAD	SLIDE BED WATER GUARD
14	4	2X-27-5-100	47	8	2X-41-1-W (CF)	INSIDE FRAME NUT	FRAME RUNG FOR EA CONVEYOR
15	4	CP-3067	48	2	2X-44-1-L (CF)	HEX SERRATED FLANGE SCREW 0.250-20x0.5"ZINC PLATED	INFEED FRAME SIDE FOR EA CONVEYOR
16	4	CP-3068	49	30	CP-2869	HEX FLANGE NUT 0.25-20	SERRATED FLANGE NUT 0.375-16 ZINC PLATED
17	12	2X-19-1	50	16	2X-09-1	SLIDE BED RETAINER OR CLAMP	GUSSET FOR FRAME CROSS BRACE
18	1	2X-29-1	51	3	2X-24-1-W (CF)	INSIDE CONTROL SUPPORT	TAIL PULLEY FOR EA CONVEYOR
19	2	2X-55-3	52	2	2X-35-1-413	SLIDE TRAY HOLD DOWN NUT	TAKE-UP GUIDE FOR TAIL
20	2	CP-2376	53	2	CP-7234	RUBBER GROMMET	SPRING, 3/4" O.D. X 6-7/8" LONG
21	12	CP-259	54	2	CP-4509	SLOTTED FLAT HEAD SCREW .250-20 x 1.000	1/2-13 x 7" HX HD SCREW
22	34	CP-4564	55	4	2X-42-1-S	HEX SERRATED FLANGE SCREW 0.250- 20x0.375" ZINC PLATED	TAKE-UP WASHER SST
23	30	CP-654	56	2	2X-44-1-L (CF)	FLAT WASHER .250 SAE	MIDDLE FRAME SIDE FOR EA CONVEYOR
24	25	CP-4534	57	4	2X-27-2	3/8-16 X 1" BLACK OXIDE TORX BUTTON CAP SCREW	ALUMINUM OUTSIDE TRANSITION
25	15	CP-3345	58	4	2X-27-1	LOCK WASHER .375 SPLIT RING	ALUMINUM INSIDE TRANSITION PLATE
26	9	CP-3393	59	4	CP-4582	3/8" FLAT WASHER,	HEX SERRATED FLANGE SCREW 0.375-16x1" BLACK ZINC PLATED
27	1	2X-14-2-1-3	60	8	CP-4583	OUTSIDE MOTOR BRACKET SPACER	HEX SERRATED FLANGE SCREW 0.375-16x1.5" BLACK ZINC PLATED
28	1	2X-21-7	61	2	2X-21-2-W (CF)	SINGLE OUTPUT SHAFT FOR	TRANSITION SHAFT FOR EA CONVEYOR
29	76	CP-3299	62	8	2X-21-4	SERRATED FLANGE NUT 0.375-16 BLACK OXIDE	SHAFT FOR TRANSITION ROLLER
30	4	CP-7031	63	4	2X-15-3-294	WASHER, M6, EXTERNAL TOOTH LOCK WASHER	ROLLER WHEEL
31	1	2X-14-7-1	64	8	CP-7037	MOUNTING BRACKET FOR 040 REDUCER	LSE-11 ROLLER BEARING
32	2	2X-14-7-3	65	8	CP-7310	COVER FOR MOUNTING BRACKET	SNAP RING 35MM DIAMETER (SEEGER) ATS-25
33	1	2X-14-7-2	66	8	CP-7035	MOUNTING BRACKET FOR BEARING	SNAP RING, 15mm EXTERNAL RING

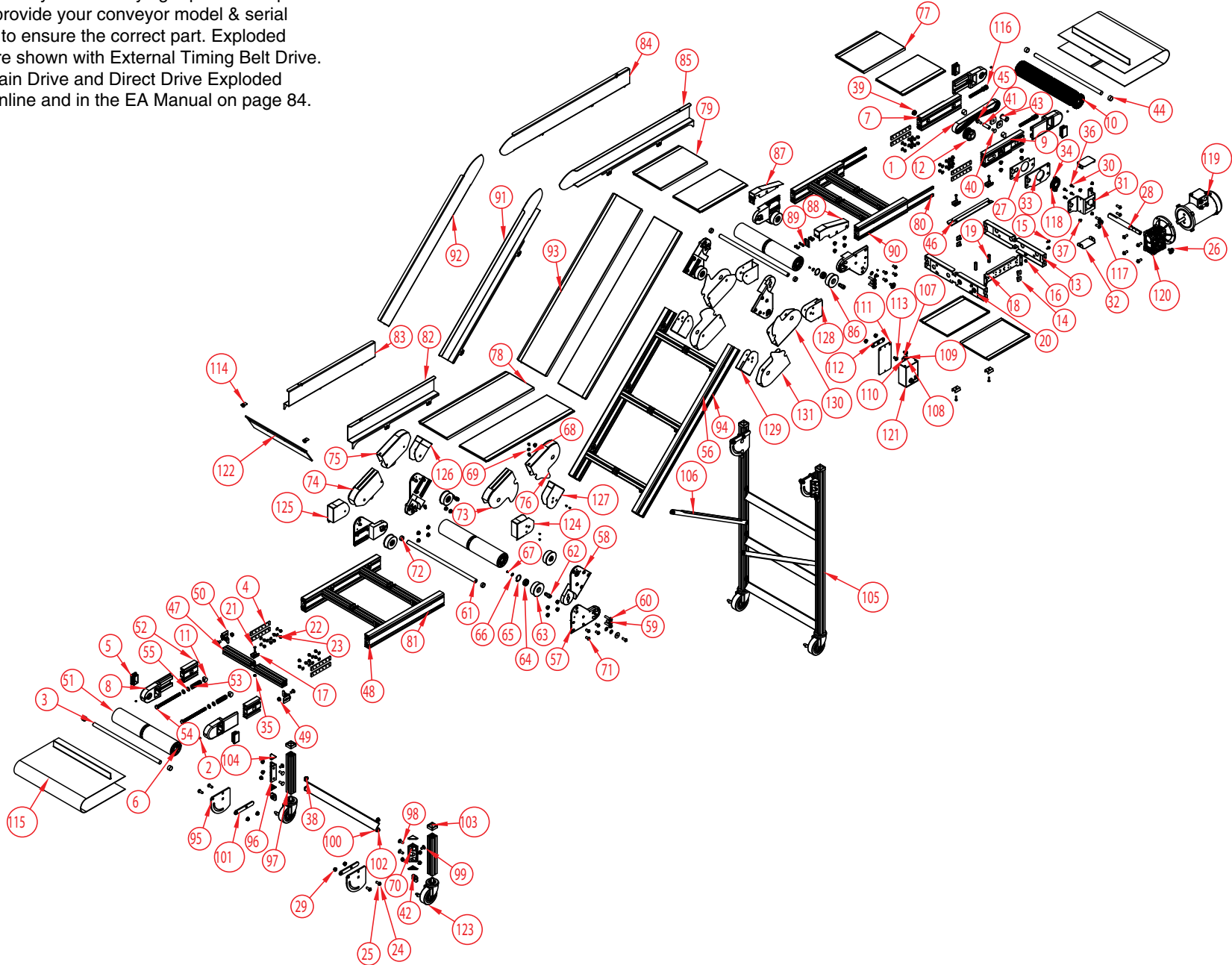
Part numbers listed in this document are for reference only. When buying replacement parts please provide your conveyor model & serial number to ensure the correct part.

Exploded views are shown with External Timing Belt Drive. Find Chain Drive and Direct Drive Exploded Views online and in the EA Manual on page 84.

Section VIII. Parts Lists and 3-D Drawings

EAZ Conveyor - Exploded View - Continued

Part numbers listed in this document are for reference only. When buying replacement parts please provide your conveyor model & serial number to ensure the correct part. Exploded views are shown with External Timing Belt Drive. Find Chain Drive and Direct Drive Exploded Views online and in the EA Manual on page 84.



Section VIII. Parts Lists and 3-D Drawings

EAZ Conveyor - Parts List - Continued

	QTY.	PART NO.	DESCRIPTION		QTY.	PART NO.	DESCRIPTION
67	24	CP-4607	SLOTTED FLAT HEAD SCREW #8-32 x .3125	100	4	2X-41-3-W (CF)	ALUMINUM LEG CROSS BRACE
68	8	CP-2132	1/4 - 20 AVIBANK NUTSERT	101	4	2X-14-6-2	LEG MOUNTING BRACKET SPACER
69	8	CP-3340	FLAT WASHER .250	102	20	CP-3297	SERRATED FLANGE NUT 0.25-20 BLACK OXIDE
70	34	CP-3342	FLAT WASHER .375	103	4	CP-4537	1.5" SQUARE DIP MOLDED END CAP BLACK
71	46	CP-4533	3/8-16 X 3/4" BLACK OXIDE TORX BUTTON CAP SCREW	104	8	2X-39-1	CAP FOR 1.5" GUSSET PROFILE
72	4	CR-31-27-10	TRANSITION 25mm O.D. DRIVE SHAFT SPACER	105	2	2X-36-1-L (CF)	DISCHARGE LEG FOR EA CONVEYOR
73	1	2X-08-1-5-1-L	TRANSITION GUARD PANEL	106	2	2X-41-4-28	KNEE BRACE FOR LEGS
74	1	2X-08-1-5-1-R	TRANSITION GUARD PANEL	107	2	CP-271	SLOTTED ROUND HEAD SCREW #10-32 x .500 PAN
75	1	2X-08-1-5-2-L	TRANSITION GUARD PANEL	108	2	CP-516	HEX NYLON LOCKING NUT # 10-32
76	1	2X-08-1-5-2-R	TRANSITION GUARD PANEL	109	4	CP-656	FLAT WASHER .187
77	4	2X-45-1-W-1300 (CF)	DRIVE HEAD SLIDE BED FOR STANDARD FRAME	110	2	CP-710	#10 SPLIT LOCK WASHER
78	2	2X-45-1-W-L (CF)	INFEED SLIDE BED FOR STANDARD FRAME	111	1	2X-27-36-1	SST MOUNTING PLATE
79	2	2X-45-1-W-L (CF)	DISCHARGE SLIDE BED FOR STANDARD FRAME	112	1	2X-27-36-2	SST SPACER PLATE
80	4	2X-67-1-L (CF)	DISCHARGE 10MM T-SLOT BLACK TRIM	113	2	CP-3293	HEX SOCKET BUTTON HEAD SCREW .375-16 x .750
81	4	2X-67-1-L (CF)	INFEED 10MM T-SLOT BLACK TRIM	114	2	2E-01-10	FLAPPER CLIP
82	1	2X-33-2-L-L (CF)	INFEED 4"-90 DEGREE ALUM RAIL FOR EA CONVEYOR	115	1	CLEATED BELT	CLEATED BELT
83	1	2X-33-2-L-R (CF)	INFEED 4"-90 DEGREE ALUM RAIL FOR EA CONVEYOR	116	2	2X-232-1	WELDMENT FOR TAKE-UP BOLT
84	1	2X-33-4-L-R (CF)	DISCHARGE 4"-90 DEGREE ALUMINUM RAIL FOR EAZ	117	1	EL-7245	CORD GRIP
85	1	2X-33-4-L-L (CF)	DISCHARGE 4"-90 DEGREE ALUMINUM RAIL FOR EAZ	118	1	CP-674	MANKO BEARING
86	4	2X-15-3-281	ROLLER WHEEL	119	1	EL-128B	MOTOR
87	1	2X-08-2-4-1-R	WELD NOSE-OVER GUARD TOP COVER	120	1	CP-7560	MOTOVARIO GEARBOX NMRV-040-60-56C
88	1	2X-08-2-4-1-L	WELD NOSE-OVER GUARD TOP COVER	121	1	EL-2566	KBWM 120 CONTROLLER
89	2	2X-08-2-4-2	NOSE-OVER GUARD COVER	122	1	2S-249-7-W (CF)	4" LEXAN FLAPPER
90	2	2X-44-1-L (CF)	DISCHARGE FRAME SIDE FOR EA CONVEYOR	123	4	CP-1239	SWIVEL CASTER, 4" 1 3/8"
91	1	2X-33-3-L-L (CF)	MIDDLE 4"-90 DEGREE ALUMINUM RAIL FOR INFEED	124	1	2X-208-1-1-L	TRANSITION GUARD PANEL
92	1	2X-33-3-L-R (CF)	MIDDLE 4"-90 DEGREE ALUMINUM RAIL FOR INFEED	125	1	2X-208-1-1-R	TRANSITION GUARD PANEL
93	2	2X-45-1-W-L (CF)	MIDDLE SLIDE BED FOR STANDARD FRAME	126	1	2X-208-1-4-L	TRANSITION GUARD PANEL
94	4	2X-67-1-L (CF)	MIDDLE 10MM T-SLOT BLACK TRIM	127	1	2X-208-1-4-R	TRANSITION GUARD PANEL
95	4	2X-14-6-1	LEG MOUNTING BRACKET	128	2	2X-208-2-1-L	TOP TRANSITION GUARD PANEL
96	4	2X-14-5-3	LEG MOUNTING BRACKET	129	2	2X-208-2-1-R	TOP TRANSITION GUARD PANEL
97	2	2X-36-1-L (CF)	INFEED LEG FOR EA CONVEYOR	130	2	2X-208-2-2-L	TOP TRANSITION GUARD PANEL
98	8	CP-4532	CARRIAGE BOLT .375-16 x 1.000 BLACK OXIDE	131	2	2X-208-2-3-R	TOP TRANSITION GUARD PANEL
99	8	CP-4540	CARRIAGE BOLT .375-16 x 0.75 BLACK OXIDE				

Part numbers listed in this document are for reference only. When buying replacement parts please provide your conveyor model & serial number to ensure the correct part.

Exploded views are shown with External Timing Belt Drive. Find Chain Drive and Direct Drive Exploded Views online and in the EA Manual on page 84.