



CATALOG  
C24

# EMI<sup>®</sup>

## CONVEYORS & AUTOMATION SYSTEMS





*Customer-focused  
innovation and growth  
since 1968*



## EMI Service and Support

EMI conveyors and automation systems are designed utilizing modern 3-D CAD solid-model engineering coupled with 50 years of experience providing quality, custom automation solutions for the plastics molding industry. Whether you need a single automation cell or a lights out, plant-wide system EMI will design and build an automation system that meets your requirements and exceeds your expectations.

Getting started is easy. If you have a concept in mind just fill out the appropriate datasheets and send them to us or contact us to have a EMI sales engineer come to your facility to meet with you to discuss your application. They will talk with you about the scope of your project and gather all of the technical data necessary to design a system that meets your requirements. Upon receipt of your project data, our engineering department will provide a comprehensive, detailed design through the use of 3-D CAD solid-model engineering to provide the best, most precise drawings available. These drawings not only feature your custom EMI system, but also other items—mold machines, work tables, etc.—to help you visualize your system from every angle making it easy to understand how it will work and interact with other equipment within your facility.



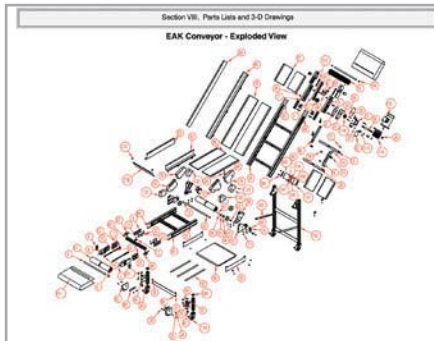
### Replacement Parts

Our most common conveyor replacement parts are online. Our sales and service department can help you find replacement parts for all EMI conveyor makes and models. When calling, please have equipment serial number ready to expedite your service. Serial numbers are located on the conveyor frame.



### How-To Conveyor Videos

We hope these videos can act as a guide and help you maintain your EMI Conveyor System. They are complete with step-by-step instructions that you to pause and rewind in case you need time to review.



### Online Parts Drawings

Conveyor exploded views and detailed parts lists are readily available online for reference. This includes every EMI model line and style we offer. If you cannot find what you are looking for, contact EMI Customer Service. We continue to support all the many thousands of conveyors we have built.



### How-To Manuals

Our Conveyor Operation & Maintenance Manual is included with every conveyor and also online for your reference. Additional assembly instructions, electrics, preventative maintenance guides, and troubleshooting literature can be found on our website.



Decades of constant improvement and custom conveying applications make EMI Conveyor systems the standard in the plastics industry. EMI conveyors are designed to your specifications, crafted by experienced assemblers and are made to last in industrial environments while offering advanced features to injection molders.

## EMI Conveyors

Model Selection Guide ..... 3	Signature Line Models ..... 64
Extruded Frame Models ..... 4	RM - Steel
EA Application Examples ..... 6	Flat, Incline, Adjustable Angle, Fixed Angle ..... 66
Space Saver Options ..... 10	RMTL - Trunkline ..... 74
EA - Aluminum	RMSC - Steep Incline
Flat Belt, Incline, Adjustable Angle, Z Model ..... 12	Steep Incline Scoop Cleated Belt ..... 76
Trim Line Models ..... 22	Cobot Ready Conveyors ..... 78
ATL - Aluminum	Models and Pricing ..... 80
Flat Belt, Incline, Adjustable Angle ..... 24	Robot Plug-in Features ..... 82
STL - Steel	Cobot Conveyor Order Form ..... 85
Flat Belt, Incline, Adjustable Angle ..... 30	Cobot Stands ..... 86
Merit Line Models ..... 36	Robot Interface
AD - Aluminum	Compact Indexing Option ..... 90
Flat Belt, Incline, Adjustable Angle, Z Models ..... 38	Enclosures ..... 91
DD - Steel	T-99 & T-100 Indexing Option ..... 92
Flat Belt, Incline, Adjustable Angle ..... 46	Indexing Control for Boxfilling ..... 94
ANO/SNO - Steep Incline	Roller Conveyors
Steep Incline 65° Nose-Over Models ..... 52	GR - Unpowered ..... 96
Clean Room Models ..... 54	LPGR - Low Profile, Unpowered ..... 97
ACR - Aluminum	CDLR / BDLR - Chain & Belt Driven ..... 98
Flat Belt, Incline, Adjustable Angle ..... 56	PRBC - Power Roller Banded Conveyor ..... 100
Clean Room Options ..... 62	Pallet and Container Handling ..... 102

## Conveyor Applications

Standard Belting ..... 106	Parts Diverting	Metal Detection
Specialty Belting ..... 108	Pivot Style Parts Diverting ..... 132	Aperture Style ..... 162
Belts for Part Placement ..... 111	Gate Style Diverting ..... 134	Flat Bed Style ..... 163
Specialty Conveyor Options	Lane Style Diverting ..... 136	Specialty Applications
Common Options ..... 112	Box Filling Systems	Bumper Fascia Conveyor ..... 164
Packing & Inspection Tables ..... 114	Cycle Count ..... 138	Large Container Filling ..... 165
Workstation Turntables ..... 116	Weigh Scale ..... 140	Grinder Feeding ..... 166
Belt Turns ..... 118	Batch-Mode Weigh Hopper ..... 142	Elevated Part Transfer ..... 167
Conveyor to Conveyor Transfer ..... 120	Over/Under Systems ..... 144	Precise Box Positioning ..... 168
Part/Runner Separation	Side by Side Systems ..... 146	Reference
ATS - Rotary Drum Separator ..... 122	90° Box Fill Systems ..... 148	Horsepower Determination ..... 170
SL-18 - Pin Style Separator ..... 124	Indexing Carousel ..... 150	Leg Location Charts ..... 171
STN - Rotary Drum Separator ..... 126	Stacking / Destacking ..... 152	Elevation & Floor Space ..... 172
Parts Containment	Tote Dispensers ..... 153	Accumulation Hoppers ..... 174
Side Belt Guards ..... 128	Cooling Conveyors	Conveyor Specifications Form
Enclosures ..... 130	Air Cooling ..... 154	Machine Dimensions Form
Specialty Hoppers ..... 131	Self-Contained Cooling ..... 156	Box Filling Specification Form
	Static Elimination ..... 157	EMI Terms and Conditions
	Water Cooling ..... 158	EMI Credit Application
	Hybrid Cooling/Drying ..... 160	





# Extruded Aluminum Frame Conveyors

EAF

Flat  
page 12



EAC

Incline  
page 14



EAK

Flat to Incline  
page 16



EAR

Flat to Decline  
page 18



EAZ

Z Belt  
page 20



## Space Saver Options

With the internal drive option, the conveyor's motor and drive are contained within the frame, making it ideal for robot indexing, assembly, and applications where floor space utilization is important. A compact PLC indexing control is ideal for robot indexing, box filling and process control tie-in applications.



## Cobot Ready Conveyors See page 78



The EA conveyor minimizes maintenance and maximizes productivity.

It utilizes floor space more effectively than other conveyor designs.

The EA is EMI's 3rd generation of aluminum conveyors – the culmination of EMI's 50 years experience engineering and building extruded aluminum conveyors.

EA conveyors are ideal for cobot applications. Their space saving design allows longer unattended production while taking up less floor space.

# Conveyor Selection Guide

MODEL SERIES		EA Extruded Aluminum	STL / ATL Trim Line	AD / DD Merit Line	ACR Clean Room	RM (RMTL) Signature Line
		pages 4–21	pages 22–35	pages 36–53	pages 54–63	pages 64–77
	Price for standard Flat Belt Conveyor (18" wide by 10' long)	EAF-18-10-40 \$3,592	STL / ATL-18-10-40 \$3,392	ADF-18-10-40 \$3,930	ACRF-18-10-40 (base price) \$4,216	RM-18-10-40 \$4,420
				DDF-18-10-40 \$4,140		
SPECIFICATIONS	Length (Max.)	40'	20'	30'	30'	180'
	Belt Width (Max.)	60"	24"	36"	36"	96"
	Overall Frame Width (Legs outside of frame)	+ 9"	+ 7½"	+ 8⅞"	+ 8⅞"	+ 9½"
	Overall Frame Width (Legs underneath frame)	+ 5"	+ 3½"	+ 5¾"	+ 5¾"	+ 6½"
	Frame Thickness	3.4"	2½"	4"	4"	4" (9")
	Construction	Anodized Extruded Aluminum	12 gauge Steel or 1/8" Aluminum sheet Semi-Modular	12 gauge Steel or 1/8" Aluminum sheet Semi-Modular	12 gauge Steel or 1/8" Aluminum sheet Semi-Modular	12 gauge Steel Modular
	Drive Method	<b>Direct Drive</b>	<b>Direct Drive</b>	<b>Direct Drive</b>	<b>Direct Drive</b>	<b>Direct Drive</b>
	Motor / Gear Reducer	1/3 hp TEFC Motor, Gear Reducer	1/4 hp TEFC Motor, Gear Reducer	1/3 hp TEFC Motor, Gear Reducer	1/3 hp TEFC Motor, Gear Reducer	1/3 hp TEFC Motor, Gear Reducer
	Pulley Diameter	3.4"	2⅜"	3½"	3½"	3½" (8")
	Standard Motor	AC	AC	AC	AC	AC
	Warranty	<b>3 years</b>	<b>3 years</b>	<b>3 years</b>	<b>3 years</b>	<b>3 years</b>
	Cleated Belt Incline Models Available	EAC	STLC, ATLC	ADC, DDC	ACRC	RMC
	Horizontal to Incline Models Available	EAK, EAR, EAZ	STLK, ATLK	ADK, DDK	ACRK	KKI, KK, CAR, RCR
	Under Press Usage (Typical). Call for applications over 2,000 Tons.	Up to 1,000 Ton	Up to 500 Ton	Up to 1,000 Ton	Up to 1,000 Ton	Up to 2,000 Ton +

\*Pricing effective : 08/01/2022

EMI Conveyors are an excellent choice for these applications:

- Robot Indexing (Nose Over Availability)
  - Process Control (Parts Diverting)
  - Box Filling
  - Part Cooling
  - Plant Automation Systems
- Grinder Feeding
  - Scrap Conveying
  - Clean Room
  - Cobot Applications
  - Machine Tending

### 3-YEAR Limited Warranty:

EMI conveyors are guaranteed for 3 years to be free from defects of material or workmanship and to perform as promised when maintained in accordance with EMI manuals and operated under the conditions for which they were designed. Belting is guaranteed for 90 days under the same conditions. Damage, due to improper electrical or mechanical applications, voids this warranty. Upon written notification of defect, within three years of sale, EMI will approve pre-paid shipping of the equipment to our factory for inspection, repair, or replacement. Repair or replaced items are returned to the customer at no charge. Returned equipment must be suitably crated by the customer to prevent damage.



# Extruded Aluminum Frame Conveyors

The Extruded Aluminum model is EMI's 3rd generation of aluminum conveyors – the culmination of EMI's many years experience engineering and building EA conveyors. It utilizes floor space more effectively than other conveyor designs. The EA conveyor minimizes maintenance and maximizes productivity.

A 3-year limited time warranty is included - see page 3.



*How-to Video:  
Replace a Belt*



*How-to Video:  
Flip Motor Position*



*How-to Video:  
Straighten Direct Drive  
Pulley Shaft*



## Extruded Aluminum Features:

**Low Profile External Drives:** Minimize interference when your operators have to work closely around the conveyor.

**Self-Aligning Bearings:** are permanently lubricated and maintenance free.

**Variable Speed:** is standard on all EA conveyor models.

**Automatic Spring-Loaded Belt Tensioner:** is standard on all models, this helps keep the belt properly tensioned and tracking straight and facilitates ease of belt changes.

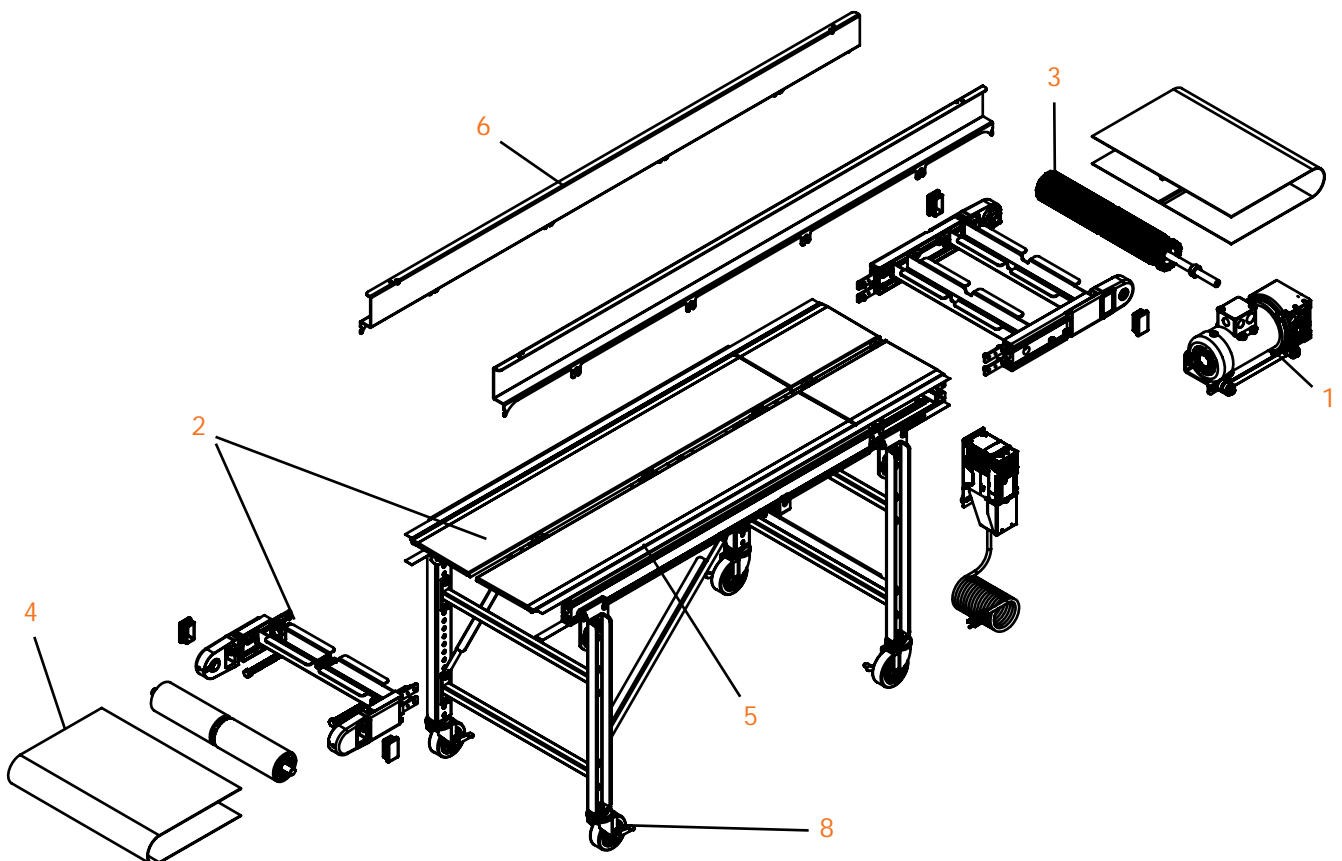
**3 Styles of Power Transmission:** Direct drive is standard. Timing belt and chain drive are also available.

**USDA/FDA Approved PVC Belting**

**9/16" Slots in Extruded Frame:** accept standard 3/8" hex head nuts and bolts make it easy to add peripheral equipment onto the conveyor by simply sliding them into the slots then fasten with standard nuts.

## Extruded Aluminum Frame Belt Conveyor Specifications

- 1 **Drive Package:** Includes a 1/3 hp 110V input AC TEFC motor with a 4–40 FPM variable speed controller (2-20 FPM or 7-70 FPM are available at no charge). The gear reducer is sealed and permanently lubricated requiring no service. Power transmission is provided via direct drive configuration. 15' of SJ cord with a standard three-prong plug is pre-wired to the starter. Control wiring is contained in liquid-tight conduit and connectors. EA conveyors 3'–40' long have 100 lb. maximum load.
- 2 **Belt Tensioning and Guidance:** Automatic spring-loaded belt tensioning is standard on all EA conveyor models. This helps keep the belt properly tensioned and tracking straight and facilitates ease of belt changes. V-guided True Track Belt Guidance System comes standard on 3'–40' long conveyors.
- 3 **Pulleys and Bearings:** EMI's exclusive EA-model pulleys are 3.4" diameter with 1" diameter shafts and incorporate built-in belt traction teeth. The self-aligning bearings are permanently lubricated and maintenance free.
- 4 **Belting:** The easy to clean belting is made of FDA approved PVC and has temperature resistance up to 210°F. Staple-type belt lacing is standard. Endless belting is available at no charge. Inclined conveyors have bonded flexible cleats that have no bolts or rivets that may tear out. Cleated belts are also fabricated with a high beam strength belting that provides exceptional cross rigidity in the transition (EAK & EAZ models).
- 5 **Frame:** The frame is clear anodized extruded aluminum with side channels that accept standard 3/8" hex head bolts/nuts. This makes it easy to add peripheral equipment onto the conveyor by sliding hex head bolts into the slots then fastening with standard nuts. When requested, EMI can insert nuts or bolts into the channels when building the conveyor.
- 6 **Rails:** 4" tall rails are made of 1/8" anodized aluminum and overlap the belt 1¼" per side to ensure small molded parts do not get pinched, damaged, or lost between the rail and the belt. When conveying larger molded parts, non-overlapping rails are available that increase the usable belt width by 2½".
- 7 **Shipment:** Conveyors 3'–20' are usually shipped fully assembled, pre-wired, tested, and ready to run (except the legs must be attached by the customer). For your convenience, arrangements can be made for longer conveyors to be shipped assembled.
- 8 **Leg Sets:** Adjustable black powder coated steel leg sets and locking swivel castors are included as standard on all EA Line conveyors. Extruded aluminum leg sets available as an option. Belt height must be specified.





## Extruded Aluminum Frame Application Examples

Box / Tote Dispenser - Cycle count box fill system includes: Two EAF conveyors with internal drive packages, and a roller conveyor, two sweep arms, side rails, and a box stop.

See page 153. . .



The flexibility of EMI's Extruded Aluminum Conveyors make them a perfect choice for most applications!

Box & Bag Fill Turntables - Applications can include a variety of belt styles with a cycle count boxfill system, and added options such as: soft drop zones, polycarbonate rail covers, side rails, chutes, hoppers, and more!

See page 150. . .

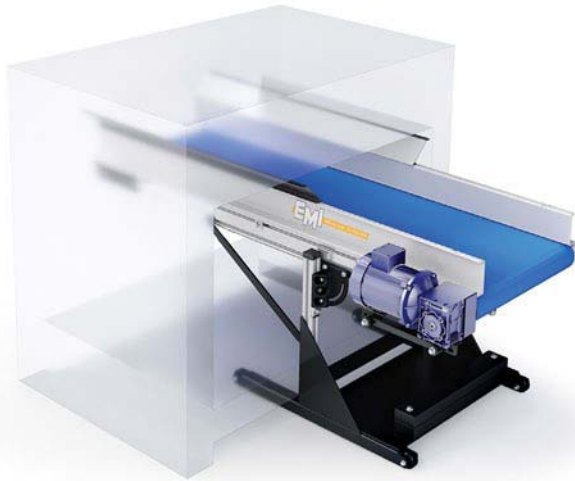






Multi-Use Portable - Flat belt EA with side rails, T-style leg stand, and counter weights for a low-profile underpress application.

See page 112. . .



Weigh Scale Boxfill - EAF models with cleated belts, adjustable side rails, and an indexing control system with weigh scale.

See page 142. . .



Over/Under Part Cooling - EAF and EAR conveyors with two levels of cooling take up minimal floor space.

See page 154. . .



Conveyor Mounted Enclosures - Easily protect workers, and robots or cobots! Available in many styles, they can be custom made to fit your conveyor for added protection.

See page 91. . .





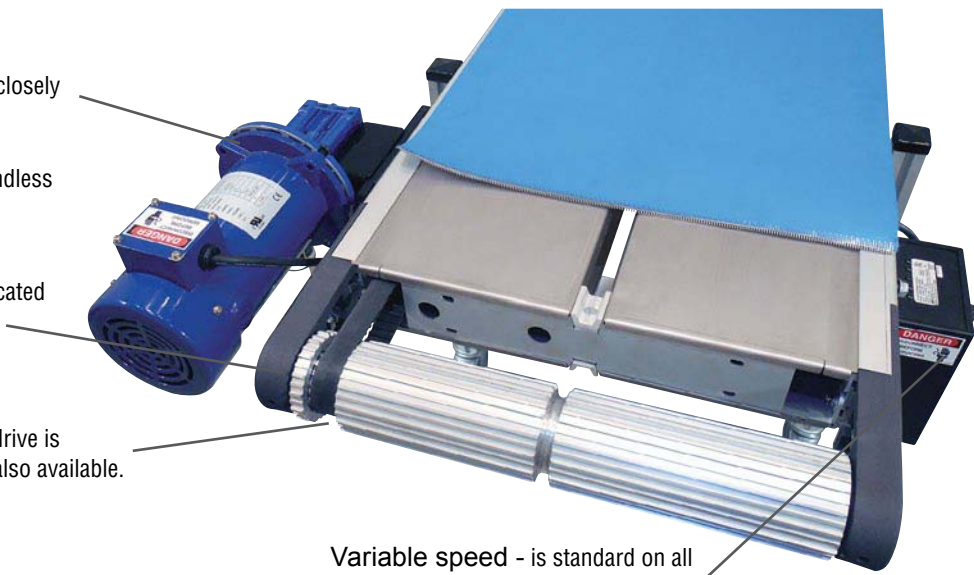
# All EMI Extruded Aluminum Conveyors come standard with. . .

Low profile external drives - minimize interference when your operators have to work closely around the conveyor.

Laced belting - is standard on all models. Endless belting is available at no charge.

Self-aligning bearings - permanently lubricated and maintenance free.

3 styles of power transmission - Direct drive is standard. Timing belt drive and chain drive are also available.



Variable speed - is standard on all EA conveyor models.



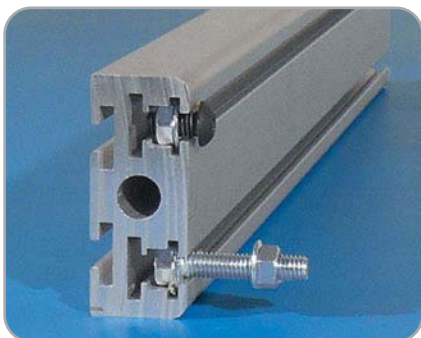
*How-to Video:  
Adjust Internal Timing Belt*



Automatic spring-loaded belt tensioning - is standard on all models, this helps keep the belt properly tensioned and tracking straight and facilitates ease of belt changes.



Edge to edge belt - ideal for robot indexing applications and wherever floor space utilization is important.



9/16" slots in the extruded aluminum frame accept standard 3/8" hex head nuts and bolts - makes it easy to add peripheral equipment onto the conveyor by simply sliding hex head bolts into the slots then fasten with standard nuts.

## Index / Reverse Combination Drive Option T-99-VS

Available on all EA Conveyors

- 110/60/1 NEMA 1 Nidec C200 variable frequency drive.
- Upgrade to a 230/60/3 AC motor and 15' customer interface cord included.
- Option T-99: \$199

Advantages:

- Smaller footprint on conveyor with no extra enclosures or excessive hardware as needed with S-44 indexing and S-76 reversing options.
- The drive and motor are the only electrical components so there are fewer electrical components to stock or replace.
- An economical choice with less downtime than other indexing / reversing options.



Watch T-99 How-to Video

Notes:

- Drive can be pre-configured for any combination of indexing and reversing options. It is necessary to inform EMI of the desired pre-configuration.
- Indexing and reversing can be controlled by either a momentary or maintained normally open dry contact or 24VDC signal.
- Indexing and reversing times are adjustable on the drive via parameter change.

## Compact PLC Indexing Control Option

Available on all EA Conveyors with Internal Drive Only

- Eliminates large enclosures normally associated with many indexing packages.
- Ideal for robot indexing, box filling, and process control tie-in applications.
- Indexing, reversing, and 6-70FPM variable speed functions.
- Continuous run mode.
- Accepts momentary or maintained signals for indexing and reversing.
- Easily adjustable digital timers.
- English and Spanish language.
- Option EA-PLC: \$962 option.

Notes:

- Programming includes the possibility to run in any sequence with indexing / reversing / continuous run. "Maintained or Momentary" normally open dry contact or 24VDC signals are both accepted for indexing and reversing inputs. All timers shall be programmed via touch screen.



Robot Interface Options: see pages 90–93

## Extruded Aluminum Frame Space Saver Options



### Motor and drive mounted within the conveyor frame

- Available on all EA conveyor models.
- Reduces conveyor width by 7<sup>3</sup>/<sub>4</sub>" compared to the standard motor and drive.
- Includes compact variable speed controller.
- Contact EMI for pricing.



Internal Drive (option) - motor and drive are contained within the frame making it an ideal conveyor for robot indexing, assembly, and applications where floor space utilization is important.

Note: 6" Minimum width.

Includes compact variable speed controller.



Chain Drive (option, shown without chain drive cover)



*How-to Video:  
Tighten a Chain Drive*

# EA- ID Space Saver Option

Available on all EA Conveyors

Legs mounted under the frame

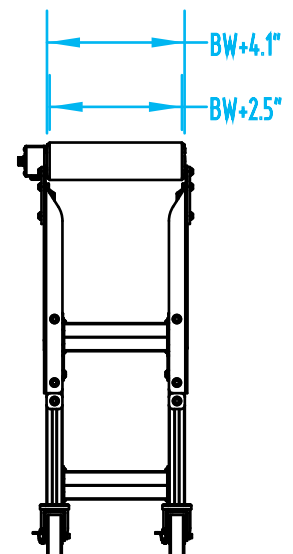
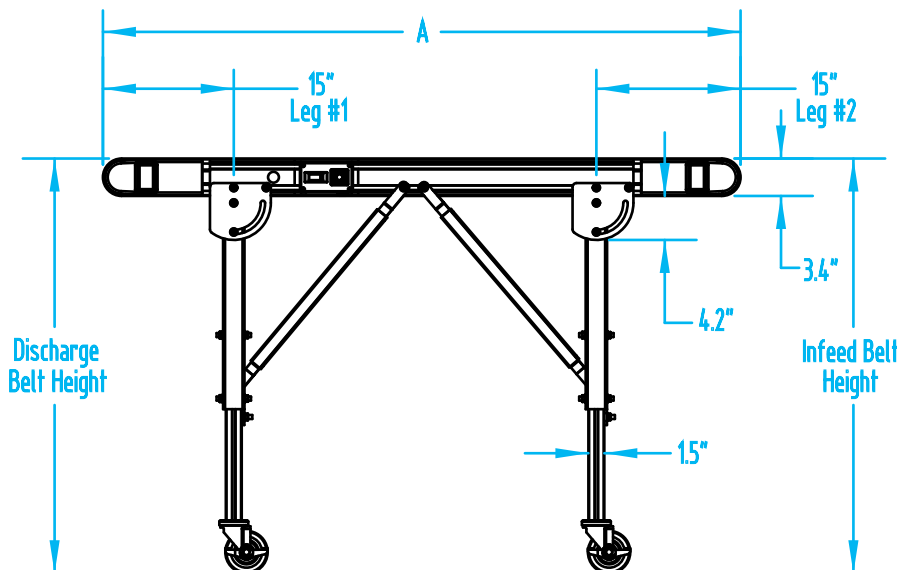
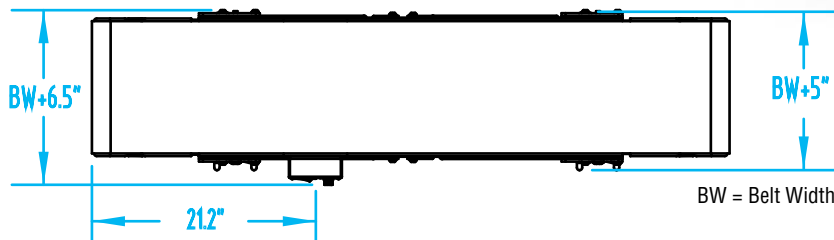
- Reduces conveyor width by 4" compared to standard leg set mounting.
- Includes locking swivel castors.
- No charge option.

Motor and drive mounted within the conveyor frame

- Reduces conveyor width by 7¾" compared to the standard motor and drive.
- Includes compact variable speed controller.
- \$358 option.

Compact PLC indexing control

- Eliminates large enclosures normally associated with many indexing packages.
- Ideal for robot indexing, box filling, and process control tie-in applications.
- \$962 option.



## Extruded Aluminum Frame EAF Model | Flat Belt Conveyor

**Standard belt widths: 6", 12", 18", 24", 30", 36"**

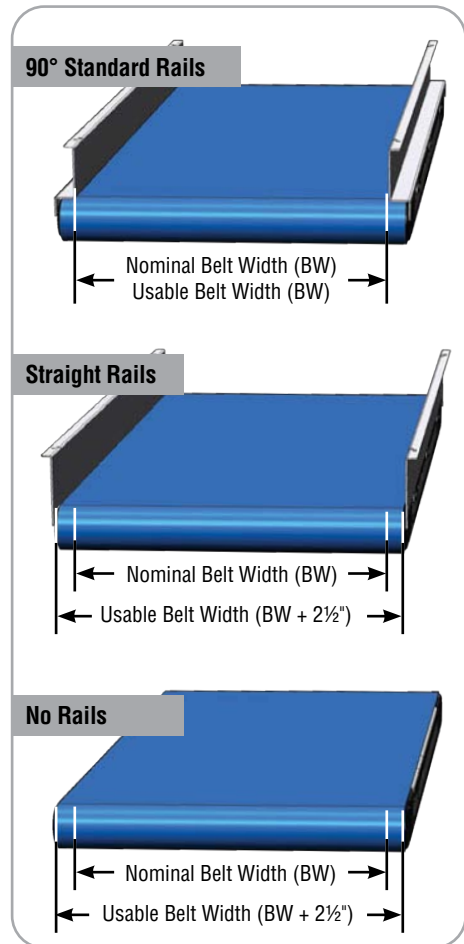
Available widths: 4"–60" at 2" (50mm) increments

**Standard lengths: 3'–40' at 6" (300mm) increments\***

\*Consult your EMI representative for longer lengths

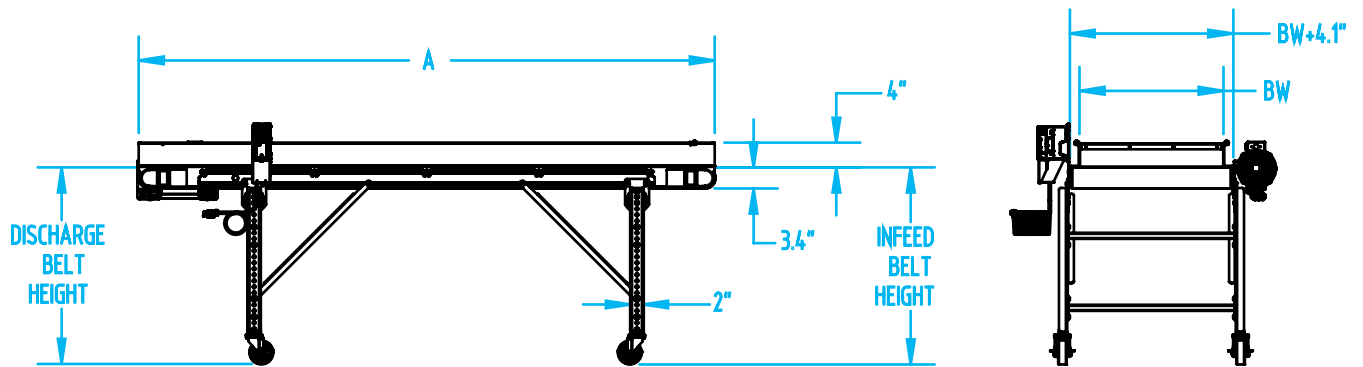
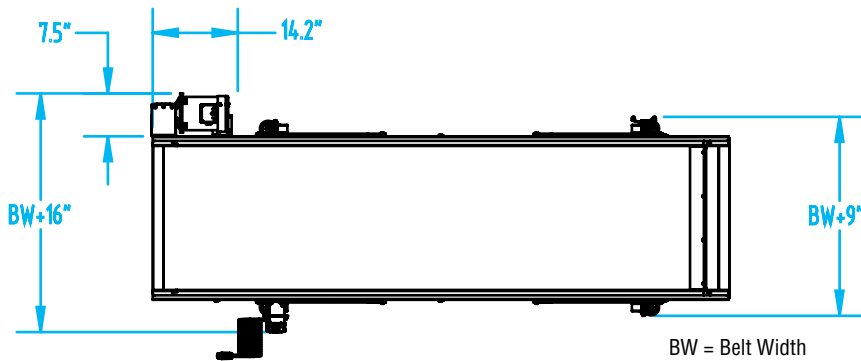


*Click for 360° View!*

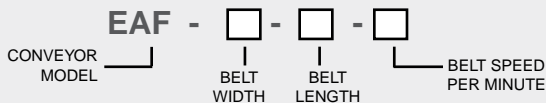


### Features

- Anodized extruded aluminum frame with side channels that accept standard 3/8" hex head bolts/nuts.
- Anodized aluminum side rails 4" tall, 90° overlapping the belt 1/4" per side.
- Heavy-duty powder-coated steel leg sets with 4" locking swivel castors.
- 110 Volt 1/3hp AC motor with variable speed standard.
- 4–40 FPM variable speed drive.
- Gear reducer is sealed and permanently lubricated requiring no service.
- Direct drive power transmission.
- 100 lb. maximum load.
- V-guide belt guidance.
- Automatic spring-loaded belt tensioning.
- Laced, PVC belting, FDA approved material. (Endless belting is available at no charge)
- 210°F belt temperature resistance.
- Units up to 20' long are shipped fully assembled.
- 3 year limited warranty.



How to Order:



Specify the conveyor Infeed and Discharge Belt Height. Download Conveyor Specifications Form [here](#).

Common Options

- Soft drop zone, to cushion part drop.
- Straight side rails or delete side rails.
- Side rail extensions for part containment.
- Extruded aluminum leg sets.
- Polycarbonate rail covers.
- Chilled air or ambient air blowers for part cooling.
- Stainless steel discharge chute.
- Endless belting.
- Alternate conveyor speed options.
- Numerous belt options, see page 106.
- Deionizing blowers to eliminate static electricity and prevent particles from sticking to parts.
- Robotic indexing control interface.
- Box filling by cycle count or weight.
- Reversing for process control.
- Alternate motor locations.

## Extruded Aluminum Frame EAC Model | Incline Belt Conveyor

**Standard belt widths: 6", 12", 18", 24", 30", 36"**

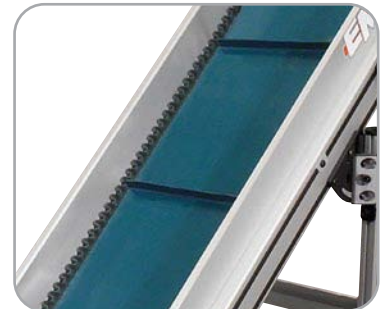
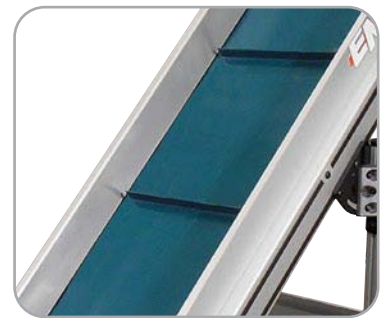
Available widths: 4"–60" at 2" (50mm) increments

**Standard lengths: 3'–30' at 6" (300mm) increments\***

\*Consult your EMI representative for longer lengths



Click for 360° View!

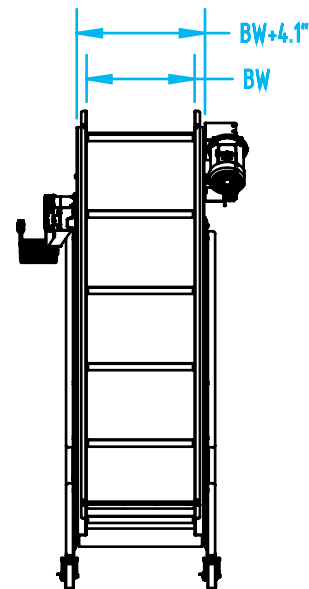
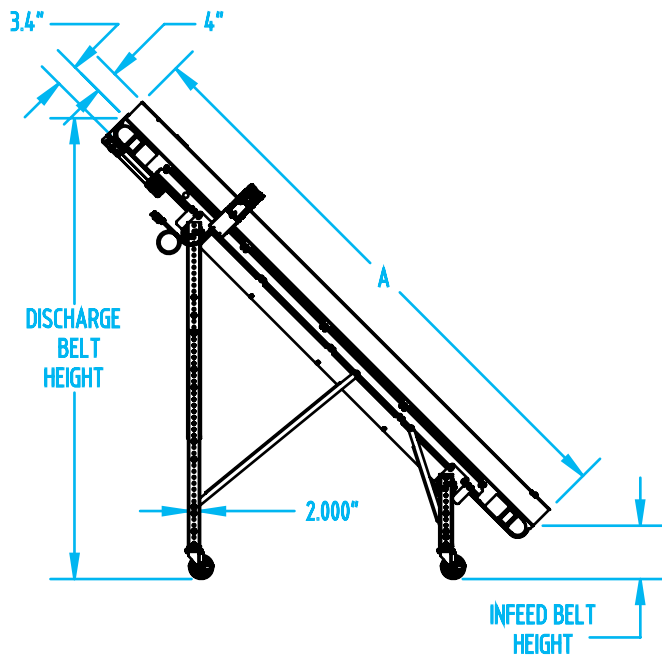
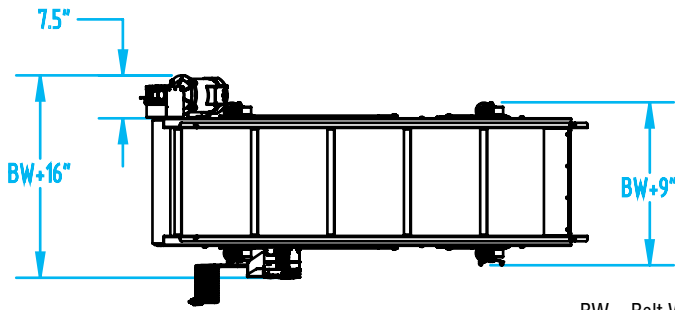


Alternate belting is available. Green polyurethane and corrugated wall belting examples are shown.

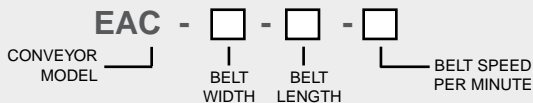
### Features

- Anodized extruded aluminum frame with side channels that accept standard 3/8" hex head bolts/nuts.
- Anodized aluminum side rails 4" tall, 90° overlapping the belt 1¼" per side.
- Heavy-duty powder-coated steel leg sets with 4" locking swivel castors.
- 110 Volt 1/3hp AC motor with variable speed standard.
- 4–40 FPM variable speed drive.
- Gear reducer is sealed and permanently lubricated requiring no service.
- Direct drive power transmission.
- 100 lb. maximum load.
- V-guide belt guidance.
- Hopper not included.
- Automatic spring-loaded belt tensioning.
- Laced PVC belting with 1½" tall cleats on 18" centers, FDA approved material. (Endless belting is available at no charge).
- 210°F belt temperature resistance.
- Units up to 20' long are shipped fully assembled.
- 3 year limited warranty.





How to Order:



Specify the conveyor Infeed and Discharge Belt Height. Download Conveyor Specifications Form here.

Common Options

- Stainless steel infeed hopper.
- Side rail extensions for part containment.
- Corrugated wall belting for small part containment.
- Extruded aluminum leg sets.
- Polycarbonate rail covers.
- Chilled air or ambient air blowers for part cooling.
- Stainless steel discharge chute.
- Alternate conveyor speed options.
- Numerous belt options, see page 106.
- Deionizing blowers to eliminate static electricity and prevent particles from sticking to parts.
- Box filling by cycle count or weight.
- Alternate motor locations.



## Extruded Aluminum Frame EAK Model | Adjustable Angle, Incline

### Standard belt widths: 6", 12", 18", 24"

Available widths: 6"–26" at 2" (50mm) increments

### Standard lengths: 5'–15' at 6" increments\*

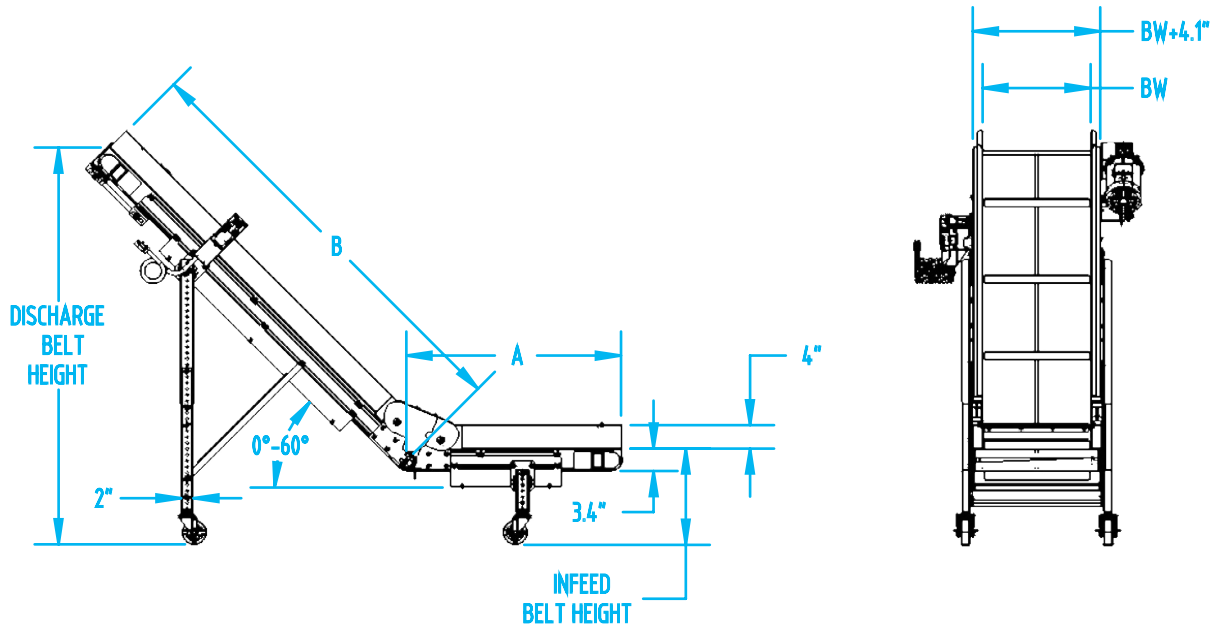
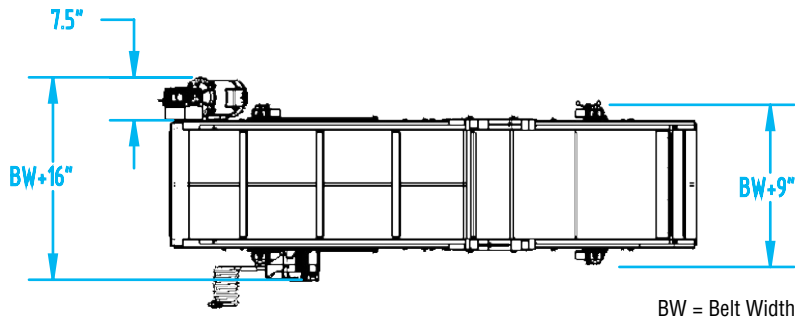
\*Consult your EMI representative for longer lengths



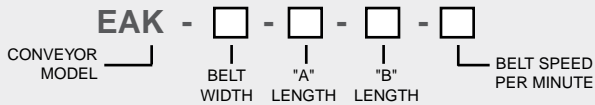
*Click for 360° View!*

## Features

- Anodized extruded aluminum frame with side channels that accept standard 3/8" hex head bolts/nuts.
- 0–60° adjustability from horizontal to incline sections with built in angle indicator.
- Anodized aluminum side rails 4" tall, 90° overlapping the belt 1¼" per side.
- Heavy-duty powder-coated steel leg sets with 4" locking swivel castors. Extruded aluminum leg sets available.
- 110 Volt 1/3hp AC motor with variable speed standard.
- 4–40 FPM variable speed drive.
- Gear reducer is sealed and permanently lubricated requiring no service.
- Direct drive power transmission.
- 50 lb. maximum load.
- V-guide belt guidance.
- Automatic spring-loaded belt tensioning.
- Laced, high beam strength PVC belting with 1½" tall cleats on 18" centers, FDA approved material. (Endless belting is available at no charge).
- 210°F belt temperature resistance.
- Units up to 20' long are shipped fully assembled.
- 3 year limited warranty.



**How to Order:**



Non-drive section has a minimum length of 2'. Drive section has a minimum length of 3'. Specify the conveyor Infeed and Discharge Belt Height.  
 Download Conveyor Specifications Form [here](#).

**Common Options**

- Side rail extensions for part containment.
- Corrugated wall belting for small part containment.
- Extruded aluminum leg sets.
- Polycarbonate rail covers.
- Chilled air or ambient air blowers for part cooling.
- Stainless steel discharge chute.
- Alternate conveyor speed options.
- Numerous belt options, see page 106.
- Deionizing blowers to eliminate static electricity and prevent particles from sticking to parts.
- Box filling by cycle count or weight.
- Alternate motor locations.



## Extruded Aluminum Frame EAR Model | Adjustable Angle, Decline

### Standard belt widths: 6", 12", 18", 24", 30"

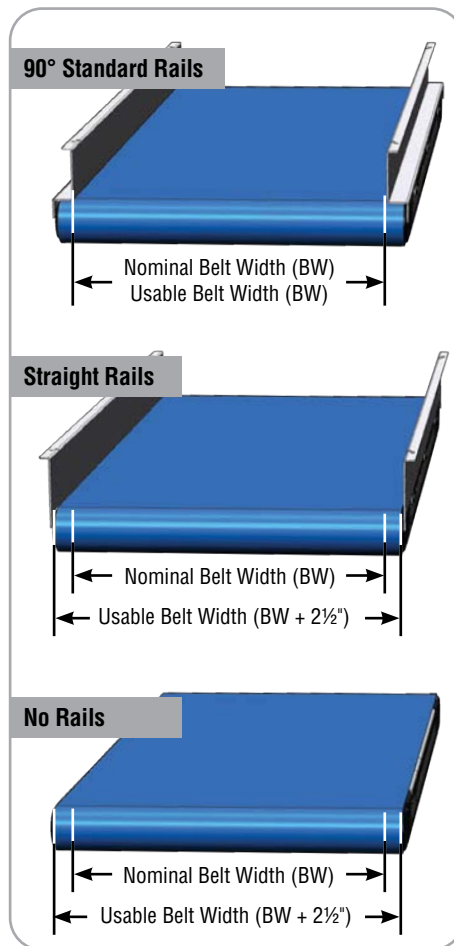
Available widths: 4"–30" at 2" (50mm) increments

### Standard lengths: 5'–20' at 6" increments\*

\*Consult your EMI representative for longer lengths

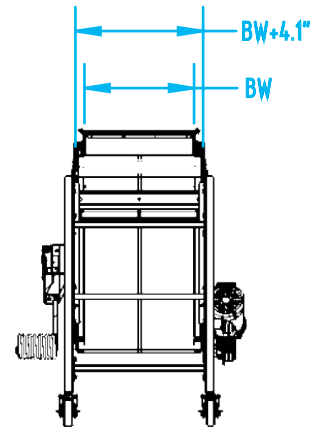
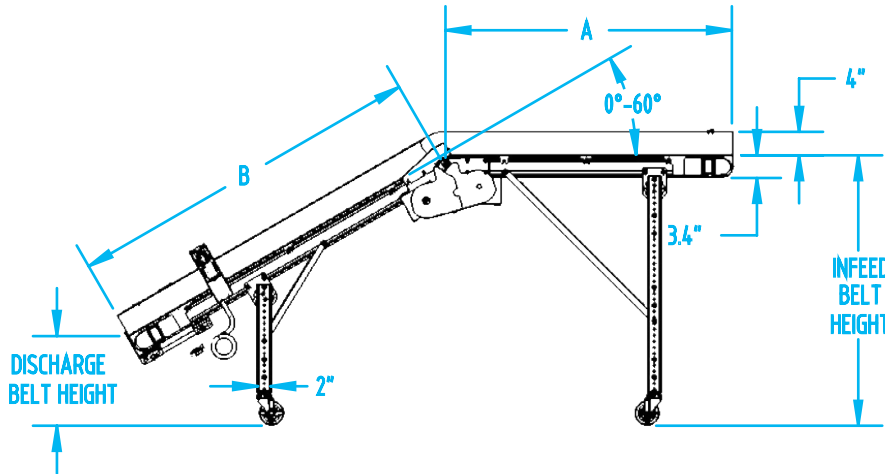
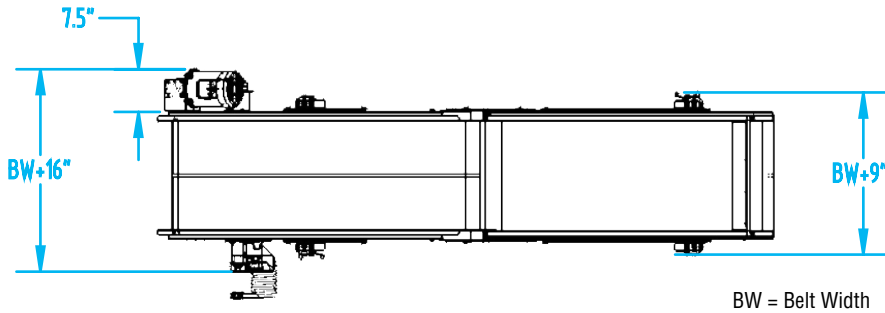


*Click for 360° View!*

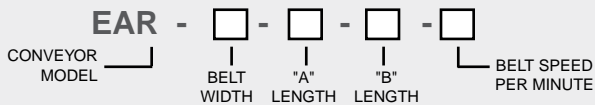


## Features

- Anodized extruded aluminum frame with side channels that accept standard 3/8" hex head bolts/nuts.
- 0–60° adjustability from horizontal to decline sections with built in angle indicator.
- Anodized aluminum side rails 4" tall, 90° overlapping the belt 1¼" per side.
- Heavy-duty powder-coated steel leg sets with 4" locking swivel castors. Extruded aluminum leg sets available.
- 110 Volt 1/3hp AC motor with variable speed standard.
- 4–40 FPM variable speed drive.
- Gear reducer is sealed and permanently lubricated requiring no service.
- Direct drive power transmission.
- 100 lb. maximum load.
- V-guide belt guidance.
- Automatic spring-loaded belt tensioning.
- Laced PVC belting with non-slip top surface, FDA approved material. (Endless belting is available at no charge)
- 212°F belt temperature resistance.
- Units up to 20' long are shipped fully assembled.
- 3 year limited warranty.



**How to Order:**



Non-drive section has a minimum length of 2'. Drive section has a minimum length of 3'. Specify the conveyor Infeed and Discharge Belt Height. Download Conveyor Specifications Form [here](#).

**Common Options**

- Stainless steel infeed hopper.
- Side rail extensions for part containment.
- Corrugated wall belting for small part containment.
- Extruded aluminum leg sets.
- Polycarbonate rail covers.
- Chilled air or ambient air blowers for part cooling.
- Stainless steel discharge chute.
- Alternate conveyor speed options.
- Numerous belt options, see page 106.
- Deionizing blowers to eliminate static electricity and prevent particles from sticking to parts.
- Box filling by cycle count or weight.
- Alternate motor locations.



## Extruded Aluminum Frame EAZ Model | Adjustable Angle, Z

### Standard belt widths: 6", 12", 18", 24"

Available widths: 6"–26" at 2" (50mm) increments

\*Widths 18" and over require split belt cleat.

### Standard lengths: 7'–15' at 6" increments\*

\*Consult your EMI representative for longer lengths

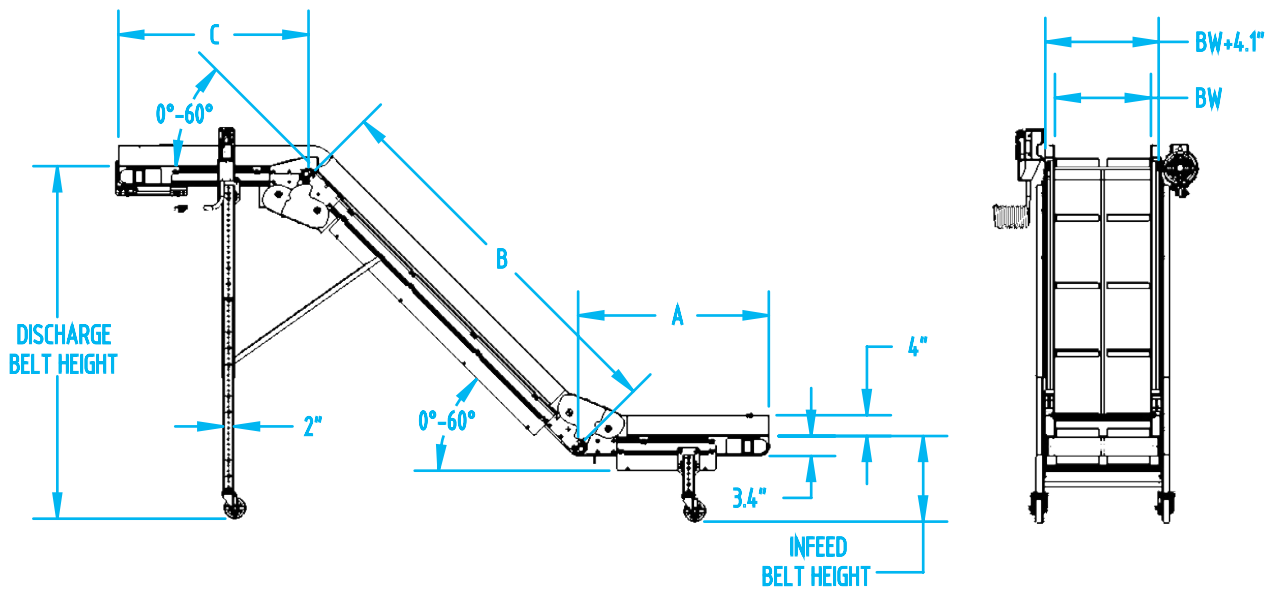
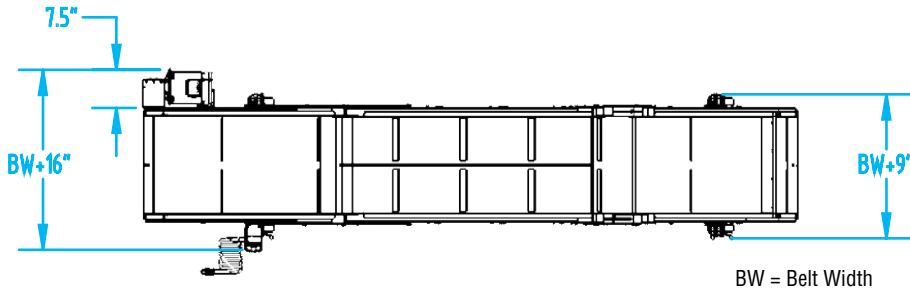


*Click for 360° View!*

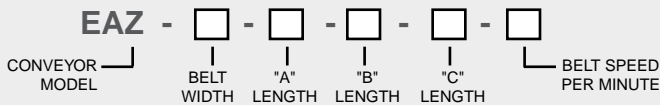
*The EAZ adjustable angle model can be adjusted to a flat configuration.*

## Features

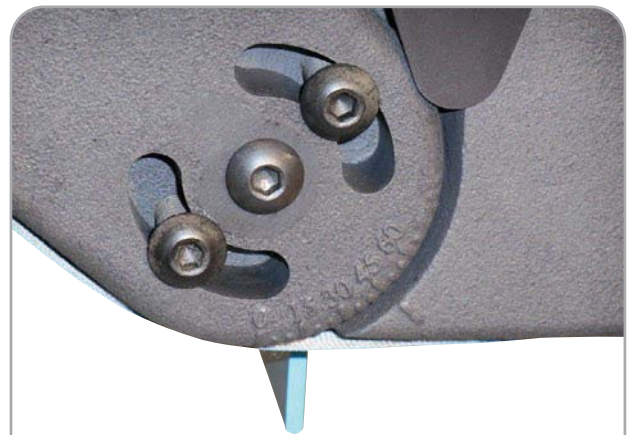
- Anodized extruded aluminum frame with side channels that accept standard 3/8" hex head bolts/nuts.
- 0–60° adjustability from horizontal to incline sections with built in angle indicator.
- Anodized aluminum side rails 4" tall, 90° overlapping the belt 1¼" per side.
- Heavy-duty powder-coated steel leg sets with 4" locking swivel castors. Extruded aluminum leg sets available.
- 110 Volt 1/3hp AC motor with variable speed standard.
- 4–40 FPM variable speed drive.
- Gear reducer is sealed and permanently lubricated requiring no service.
- Direct drive power transmission.
- 50 lb. maximum load.
- V-guide belt guidance.
- Automatic spring-loaded belt tensioning.
- Laced, high beam strength PVC belting with 1½" tall cleats on 18" centers, FDA approved material. (Endless belting is available at no charge)
- 210°F belt temperature resistance.
- Units up to 20' long are shipped fully assembled.
- 3 year limited warranty.



**How to Order:**



Minimum length of motor frame section is 3'. Minimum length of intermediate and non-motor sections is 2' each. Total combined lengths of all frame sections cannot exceed 15'. Specify the conveyor Infeed and Discharge Belt Height. Download Conveyor Specifications Form [here](#).



0-60° adjustable angle on horizontal to incline models with built-in indicator. Z models have 0-60° angle adjustability on both transitions.



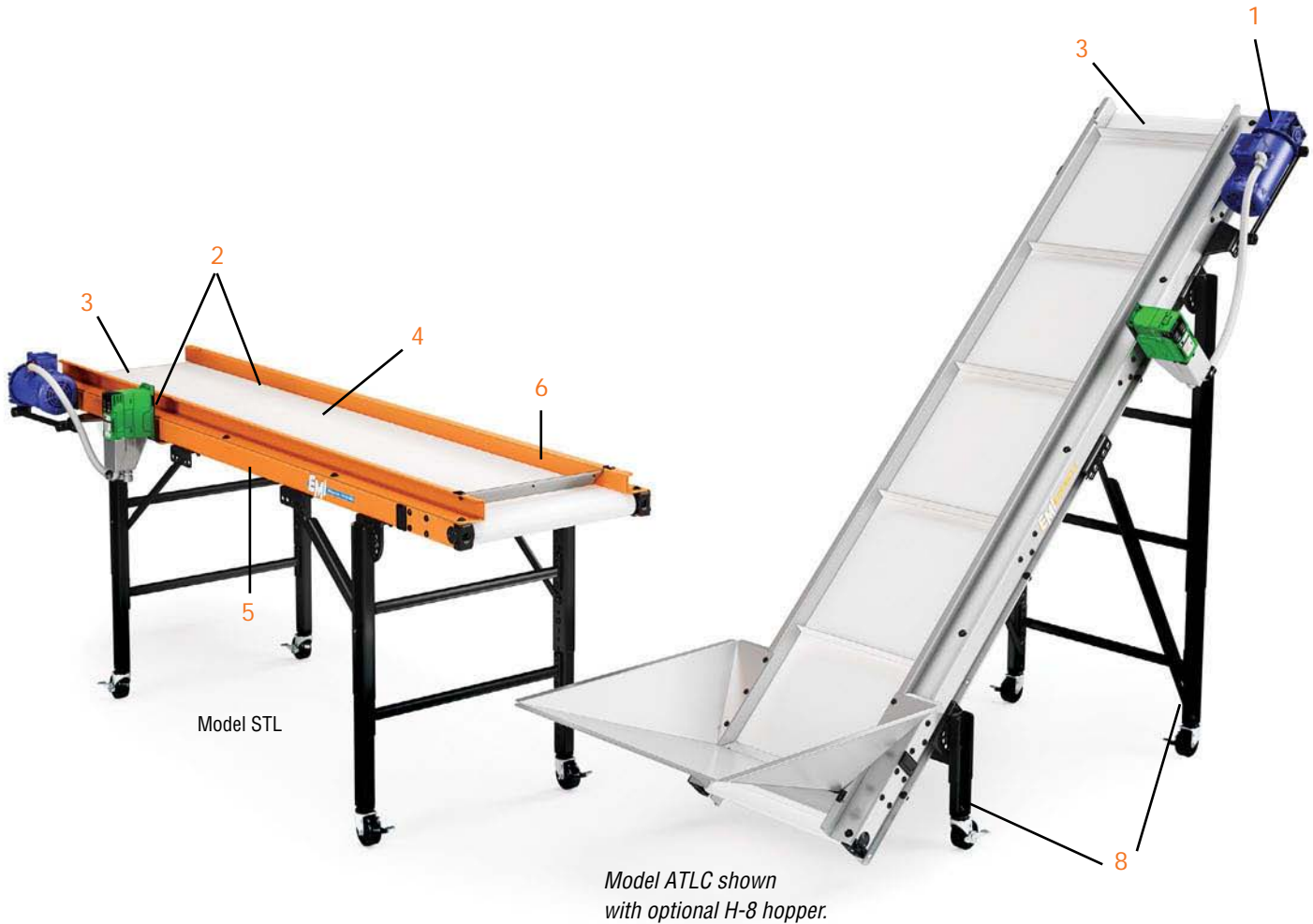
# Trim Line Aluminum or Steel Frame Conveyors



*How-to Video:  
Replace a Belt*



*How-to Video:  
Flip Motor Position*



## Trim Line Features:

**Aluminum or Steel . . .** it's your choice for the same price. Choose aluminum for greater portability, steel for maximum heavy duty industrial wear.

**Direct Drive Package:** The motor and SEALED GEAR REDUCER attach directly to the pulley shaft, minimizing maintenance. NO ROLLER CHAIN OR SPROCKETS to align.

**Leg Sets and Castors:** Black powder coated steel leg sets are standard on all models.

**AC Variable-Speed Drive:** Standard on all Trim Line Conveyors. 4–40 FPM standard belt speed.

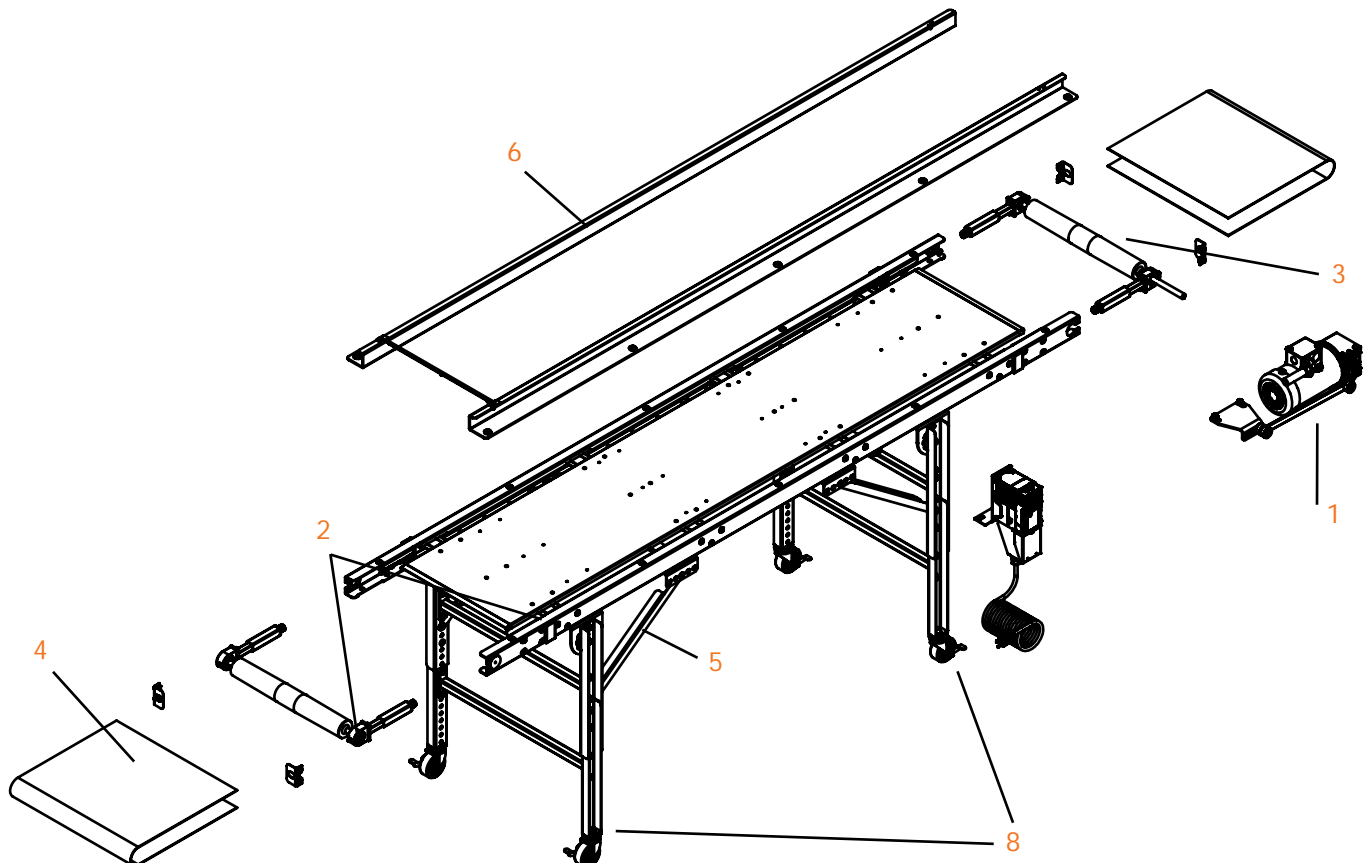
**Double V-Guide Belt Tracking:** Provides exceptionally stable belt tracking, which significantly extends belt life. Guides on the sides rather than the middle make it easier to track the belt.

**Semi-Modular Construction:** EMI belt conveyors are built in sections to allow future changes in belt length, if desired.



## EMI Trim Line, Steel and Aluminum Frame Belt Conveyor Specifications

- 1 **Drive Package:** The Direct Drive package includes a C-faced, TEFC 1/4 hp 110V input AC motor with a variable-speed controller. 4–40 FPM is standard speed (alternate speeds available). 15' of SJ cord with a standard three-prong plug is pre-wired to the starter (other voltage and motor starters available). Control wiring is contained in liquid-tight conduit and connectors. Drive packages for conveyors 3'–20' long have 50 lb. maximum load.
- 2 **Belt Guidance:** True Track Belt Guidance System comes standard on 3'–20' long conveyors. Using a Double V-guide slot in the frame, 1/4" wall crowned pulleys, and bonded Double V-guide belting, "True Track" minimizes belt run off and reduces belt tracking maintenance.
- 3 **Pulleys:** To ensure long-lived operation, 2-3/8" diameter crowned pulleys incorporate 5/8" diameter steel shafts, self aligning sealed ball bearings, telescopic take-up adjustment, position locking nuts, and Zerk grease fittings.
- 4 **Belting:** Our easy to clean, FDA approved, white, PVC belting with staple-type belt lacing (which prevents lacing pullout and splice failure), makes belt maintenance quick and easy. Inclined conveyors have a bottom cleat support plate and bonded flexible cleats that have no bolts or rivets that may tear out.
- 5 **Frame:** Choose from 1/8" anodized sheet aluminum for greater portability, or 12-gauge safety orange powder coated steel for maximum stability. Both are built to withstand heavy-duty industrial wear.
- 6 **Rails:** To ensure molded pieces do not get pinched, damaged, or lost between the rail and belt, we place either 12-gauge stainless steel or 1/8" anodized aluminum 2" or 4" rails (depending on model) so that they overlap the belt. To keep your molded parts contained on the infeed end of the conveyor, we include an infeed-end backpiece.
- 7 **Shipment:** Generally conveyors 3'–10' are shipped fully assembled, pre-wired, tested, and ready to run (legs must be attached). Conveyors 11' and over are shipped partially assembled to minimize shipping damage. Some frame and belt assembly is required; drive packages and system panels are pre-assembled and tested. For your convenience, arrangements can be made for longer conveyors to be shipped assembled.
- 8 **Leg Sets:** Adjustable black powder coated steel leg sets and locking swivel castors are included as standard on all Trim Line conveyors. Belt height must be specified.



## Trim Line ATL Aluminum Frame | Flat Belt

**Standard belt widths: 4", 6", 9", 12", 18", 24"**  
**Standard lengths: 3'–20' at 1' increments**

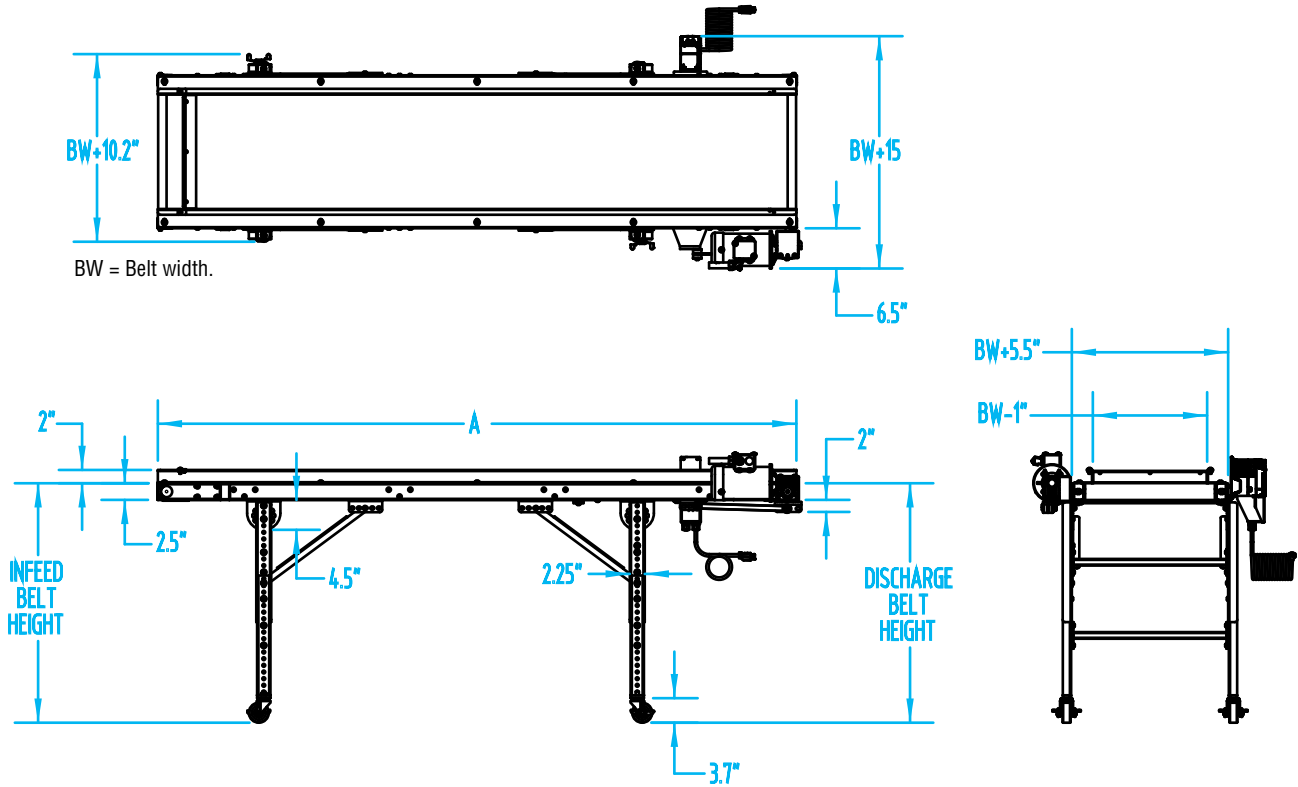
Perfect for under the press, along side the press, robotic applications, box filling systems—or anywhere a sturdy, industrial-use, low-maintenance, long-lasting conveyor is needed. Adjustable leg sets and easy-rolling castors provide extra versatility. Standard units are rated for a 50 lb. maximum load capacity.



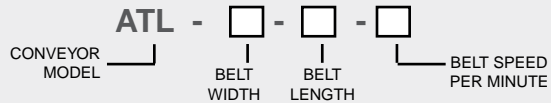
*Click for 360° View!*

### Features

- Direct Drive ¼ hp 110V input AC variable-speed drive package.
- No roller chain or sprockets.
- Sealed gear reducer.
- 50 lb. maximum load.
- ⅛" anodized aluminum construction.
- Double V-guided, FDA approved, white PVC belt.
- 2" tall side rails, lapped over conveyor belt.
- Leg sets and swivel castors included.
- 15' power cord included. Pre-wired ready to run (except polyphase systems which require some customer wiring).
- Control wiring contained in liquid-tight conduit and connectors.
- Units up to 10' length ship fully assembled.
- 3-Year Limited Warranty, see page 3.



### How to Order:



Specify the conveyor Infeed and Discharge Belt Height. Leg set #1 will be located under drive package for 3'-6' long and 6"-9" wide conveyors. Download Conveyor Specifications Form [here](#).

### Common Options

- Alternate conveyor speeds.
- Robotic and box fill controls.
- Reversing for process control.
- Angled nose over section.
- Alternate motor locations, see page 177.
- Soft drop zone, to cushion part drop.
- Side rail extensions for part containment.
- Numerous belt options, see page 106.

## Trim Line ATLC Aluminum Frame | Cleated Belt

**Standard belt widths: 4", 6", 9", 12", 18", 24"**  
**Standard lengths: 3'–20' at 1' increments**

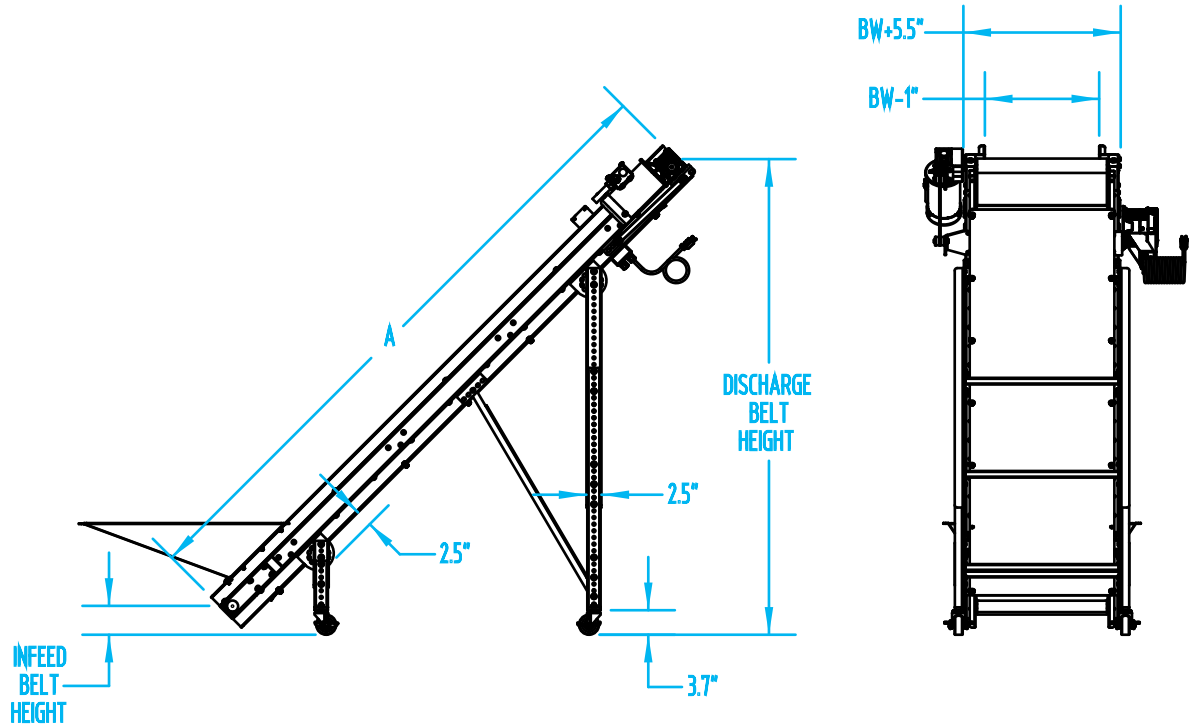
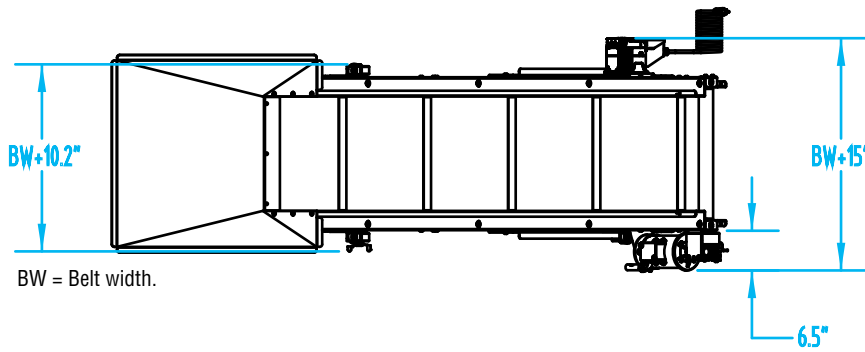
Trim Line incline, cleated-belt conveyors are perfect for many uses including moving parts away from the press to a trunkline, box filling system or work station. Adjustable leg sets make height and angle adjustments simple. A wide choice of options allow Trim Line conveyors to be customized to suit many different types of applications. Standard units are rated for a 50 lb. maximum load capacity.



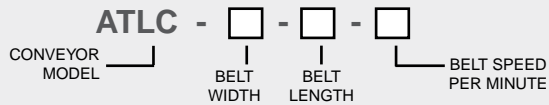
*Click for 360° View!*

### Features

- Direct Drive ¼ hp 110V input AC variable-speed drive package.
- No roller chain or sprockets.
- Sealed gear reducer.
- 50 lb. maximum load.
- ⅛" anodized aluminum construction.
- Double V-guided, FDA approved, white PVC belt with 1½" tall cleats on 18" centers.
- 2" tall side rails, lapped over conveyor belt.
- Leg sets and swivel castors included.
- Hopper not included (H-8 hopper shown).
- 15' power cord included. Pre-wired ready to run (except polyphase systems which require some customer wiring).
- Control wiring contained in liquid-tight conduit and connectors.
- Units up to 10' length ship fully assembled.
- 3-Year Limited Warranty, see page 3.



**How to Order:**



Specify the conveyor Infeed and Discharge Belt Height. Leg set #1 will be located under drive package for 3'-6' long and 6"-9" wide conveyors. Download Conveyor Specifications Form [here](#).

**Common Options**

- Infeed hoppers, see page 175 for sizes and dimensions.
- Alternate conveyor speeds.
- Alternate cleat spacing.
- Polycarbonate rail covers.
- Angled nose over.
- Stainless steel discharge chute.
- Robotic and box filling control systems.
- Weigh scale.
- Alternate motor locations, see page 177.
- Numerous belt options, see page 106.

Trim Line

## ATLK Aluminum Frame | Adjustable Angle

**Standard belt widths: 6", 9", 12", 18", 24"**

**Standard lengths: up to 15' at 1' increments**

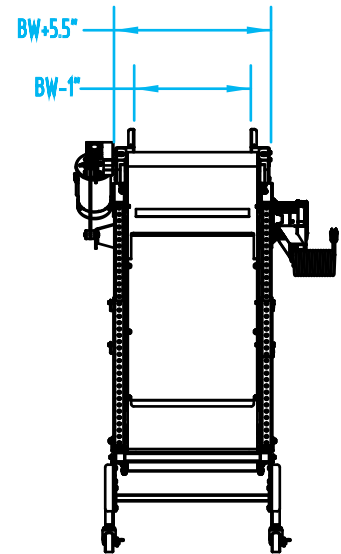
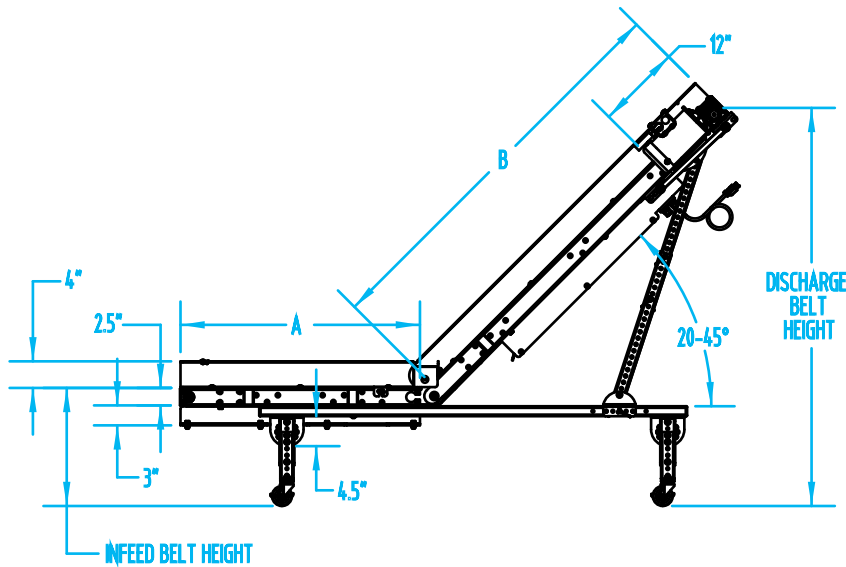
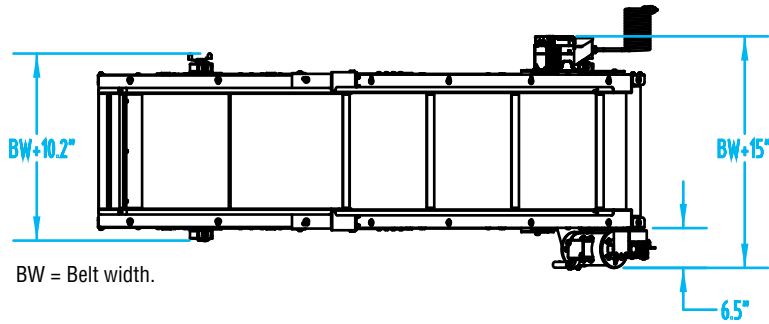
An adjustable angle of 20°–45°, makes the Trim Line Adjustable Angle conveyor perfect for under or along side the press or for moving parts to a trunkline, work station, or automatic box filling system. Horizontal to inclined transition rollers eliminate pinch points and assure smooth part transfer. Angles and leg sets are adjustable. A range of options allow Trim Line Conveyors to be customized to suit many applications.



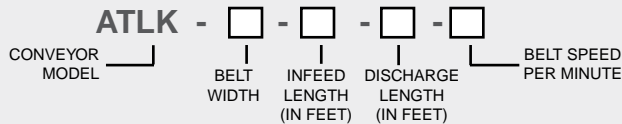
*Click for 360° View!*

### Features

- Direct Drive ¼ hp 110V input AC variable-speed drive package.
- No roller chain or sprockets.
- Sealed gear reducer.
- 50 lb. maximum load.
- ⅛" anodized aluminum construction.
- Adjustable angle incline 20°–45°.
- Double V-guided, FDA approved, white PVC belt with 1½" tall cleats on 18" centers.
- 4" tall side rails, lapped over conveyor belt.
- Leg sets and swivel castors included.
- 15' power cord included. Pre-wired ready to run (except polyphase systems which require some customer wiring).
- Control wiring contained in liquid-tight conduit and connectors.
- Units up to 10' overall length ship fully assembled.
- 3-Year Limited Warranty, see page 3.



**How to Order:**



Specify the conveyor Infeed and Discharge Belt Height. Download Conveyor Specifications Form [here](#).

For 6", 9", 12", and 18" belt width models, the motor is located at the discharge. For 24" wide models, the motor is located at the infeed. The "A" dimension infeed length minimum is 2'. The "B" dimension incline length minimum is 2'. Contact EMI if A + B exceeds 15'.

**Common Options**

- Discharge chute.
- Alternate conveyor speeds.
- Side rail extensions for part containment.
- Soft drop zone.
- Alternate motor locations, see page 177.
- Numerous belt options, see page 106.

Trim Line

## STL Steel Frame | Flat Belt

**Standard belt widths: 4", 6", 9", 12", 18", 24"**

**Standard lengths: 3'–20' at 1' increments**

Perfect for under the press, along side the press, robotic applications, box filling systems—or anywhere a sturdy, industrial-use, low-maintenance, long-lasting conveyor is needed. Adjustable leg sets and easy-rolling castors provide extra versatility. Standard units are rated for a 50 lb. maximum load capacity.

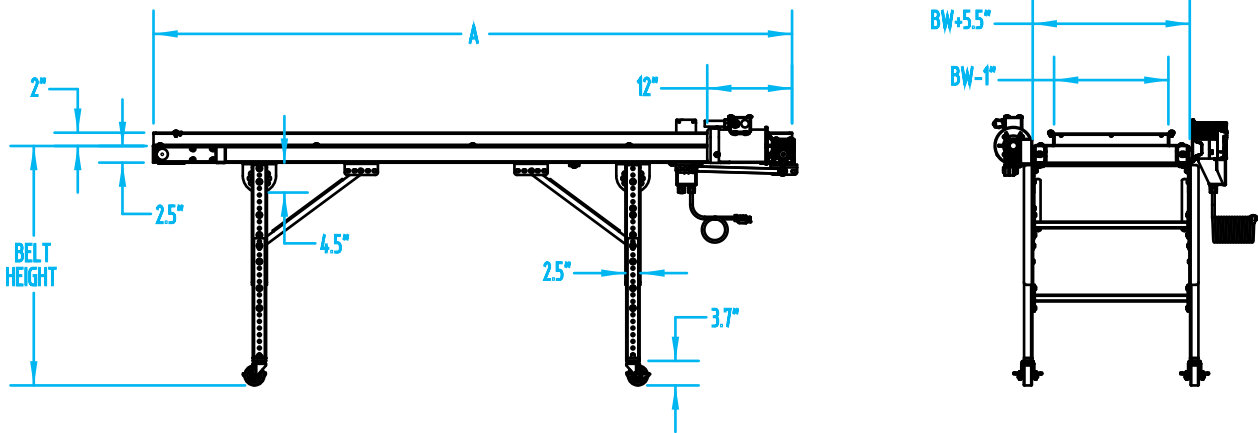
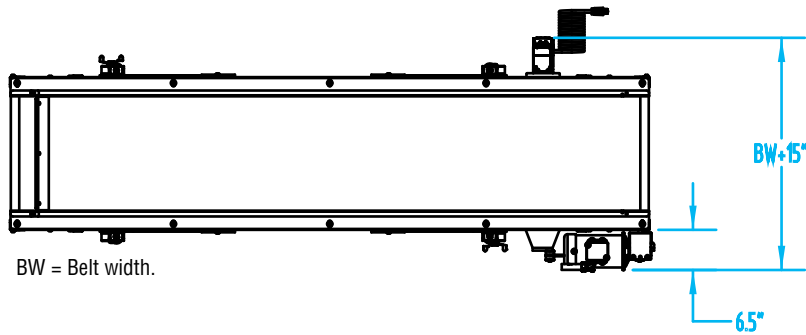


*Click for 360° View!*

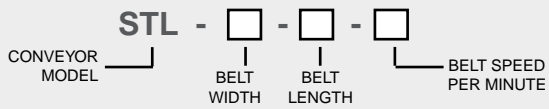
### Features

- Direct Drive ¼ hp 110V input AC variable- speed drive package.
- No roller chain or sprockets.
- Sealed gear reducer.
- 50 lb. maximum load.
- 12-gauge steel construction.
- Double V-guided, FDA approved, white PVC belt.
- 2" tall side rails, lapped over conveyor belt.
- Leg sets and swivel castors included.
- 15' power cord included. Pre-wired ready to run (except polyphase systems which require some customer wiring).
- Control wiring contained in liquid-tight conduit and connectors.
- Units up to 10' length ship fully assembled.
- 3-Year Limited Warranty, see page 3.





**How to Order:**



Specify the conveyor Infeed and Discharge Belt Height. Leg set #1 will be located under drive package for 3'-6' long and 6"-9" wide conveyors. Download Conveyor Specifications Form [here](#).

**Common Options**

- Robotic and box fill controls.
- Reversing for process control.
- Angled nose over section.
- Alternate motor locations, see page 177.
- Soft drop zone, to cushion part drop.
- Side rail extensions for part containment.
- Black or rough-top belt.
- Numerous belt options, see page 106.

## Trim Line STLC Steel Frame | Cleated Belt

**Standard belt widths: 4", 6", 9", 12", 18", 24"**

**Standard lengths: 3'–20' at 1' increments**

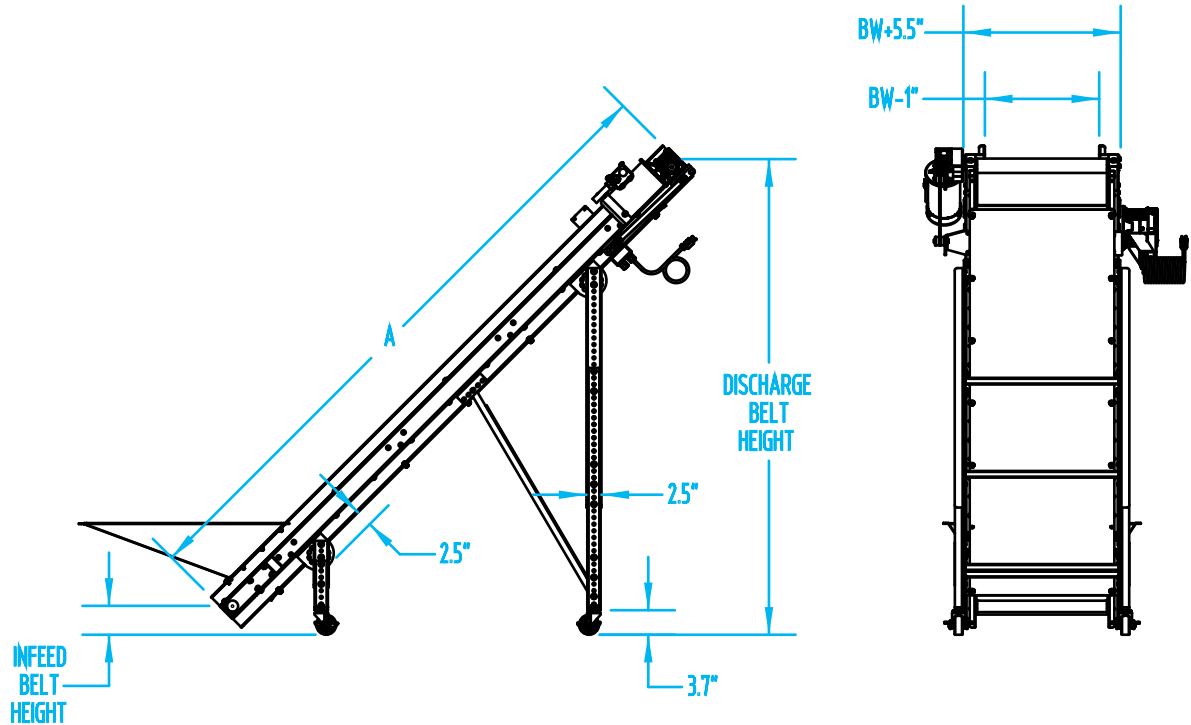
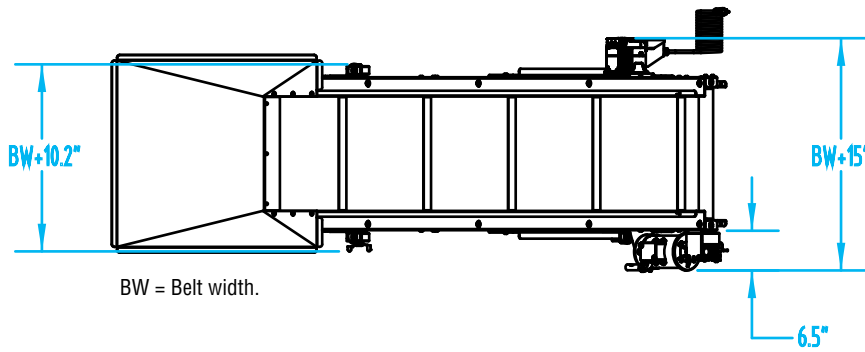
Trim Line incline, cleated belt conveyors are perfect for many uses including moving parts away from the press to a trunkline, box filling system or work station. Adjustable leg sets make height and angle adjustments simple. A wide choice of options allow Trim Line conveyors to be customized to suit many different types of applications. Standard units are rated for a 50 lb. maximum load capacity.



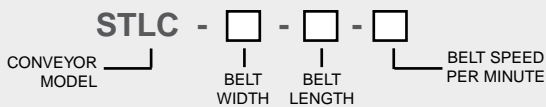
*Click for 360° View!*

### Features

- Direct Drive ¼ hp 110V input AC variable-speed drive package.
- No roller chain or sprockets.
- Sealed gear reducer.
- 50 lb. maximum load.
- 12-gauge steel construction.
- 2" tall side rails, lapped over conveyor belt.
- Double V-guided, FDA approved, white PVC belt with 1½" tall cleats on 18" centers.
- Leg sets and swivel castors included.
- Hoppers not included (H-8 hopper shown).
- 15' power cord included. Pre-wired ready to run (except polyphase systems which require some customer wiring).
- Control wiring contained in liquid-tight conduit and connectors.
- Units up to 10' length ship fully assembled.
- 3-Year Limited Warranty, see page 3.



**How to Order:**



Specify the conveyor Infeed and Discharge Belt Height. Leg set #1 will be located under drive package for 3'-6' long and 6"-9" wide conveyors. Download Conveyor Specifications Form [here](#).

**Common Options**

- Infeed hopper, see page 175 for sizes and dimensions.
- Alternate cleat spacing.
- Polycarbonate rail covers.
- Angled nose over.
- Stainless steel discharge chute.
- Robotic and box filling control systems.
- Weigh scale.
- Alternate motor locations, see page 177.
- Numerous belt options, see page 106.

## Trim Line STLK Steel Frame | Adjustable Angle

**Standard belt widths: 6", 9", 12", 18", 24"**

**Standard lengths: up to 15' at 1' increments**

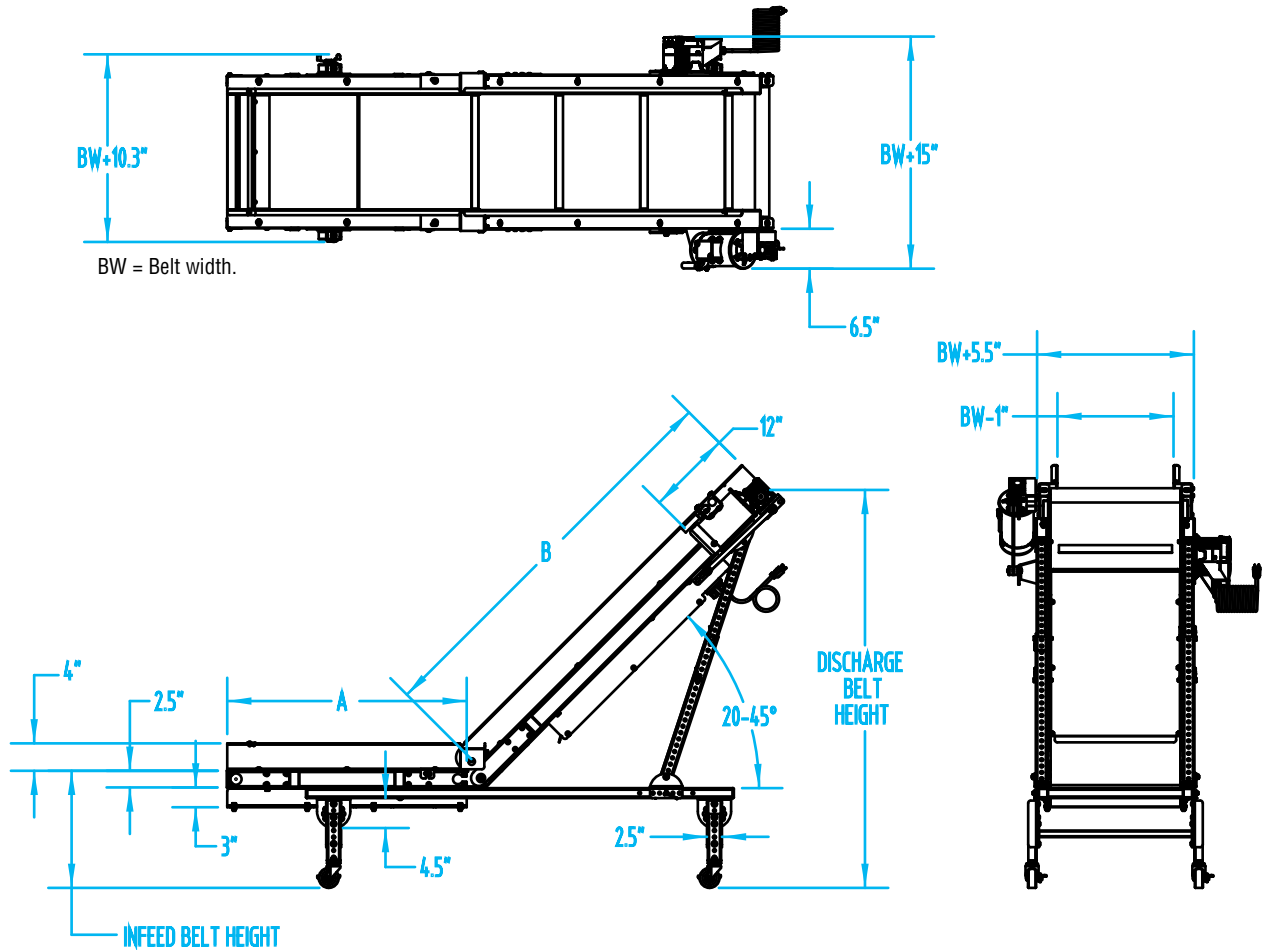
An adjustable angle of 20°–45°, makes the Trim Line Adjustable Angle conveyor perfect for under the press, along side the press or for moving parts to a trunkline, work station or automatic box filling system. Horizontal to inclined transition rollers eliminate pinch points and assure smooth part transfer. Angles and leg sets are adjustable. A range of options allow Trim Line Conveyors to be customized to suit many applications.



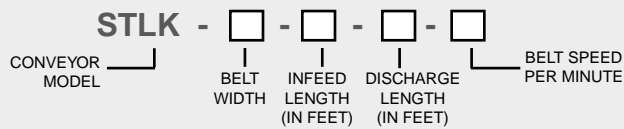
*Click for 360° View!*

### Features

- Direct Drive ¼ hp 110V input AC variable-speed drive package.
- No roller chain or sprockets.
- Sealed gear reducer.
- 50 lb. maximum load.
- 12-gauge steel construction.
- Adjustable angle incline 20°–45°.
- Double V-guided, FDA approved, white PVC belt with 1½" tall cleats on 18" centers.
- 4" tall side rails, lapped over conveyor belt.
- Leg sets and swivel castors included.
- 15' power cord included. Pre-wired ready to run (except polyphase systems which require some customer wiring).
- Control wiring contained in liquid-tight conduit and connectors.
- Units up to 10' overall length ship fully assembled.
- 3-Year Limited Warranty, see page 3.



### How to Order:



For 6", 9", 12", and 18" belt width models, the motor is located at the discharge. For 24" wide models, the motor is located at the infeed. The "A" dimension infeed length minimum is 2'. The "B" dimension incline length minimum is 2'. Contact EMI if A + B exceeds 15'.

Download Conveyor Specifications Form [here](#).

### Common Options

- Discharge chute.
- Side rail extensions for part containment.
- Soft drop zone.
- Alternate motor locations, see page 177.
- Numerous belt options, see page 106.



## Merit Line Aluminum or Steel Frame Conveyors

All EMI Merit Line conveyors are equipped with a Direct Drive Power Package. The direct drive system is easy to service and requires less maintenance than other conveyors. Hundreds of pre-engineered options allow them to be tailored to your particular need. The quick and easy adjusting leg sets give you the ability to use them in other applications. They are designed to meet your everyday conveying needs. Their sturdy construction makes them reliable and durable even under the most demanding applications. A 3-year warranty is included, see page 3.



*How-to Video:  
Replace a Belt*



*How-to Video:  
Flip Motor Position*



*Model DDF*

*Model DDC with optional  
H-8 hopper.*

### Merit Line Features:

**Aluminum or Steel . . .** it's your choice. Choose aluminum for greater portability, steel for maximum heavy-duty industrial wear.

**Direct Drive Package:** The motor and SEALED GEAR REDUCER attach directly to the pulley shaft, minimizing PM maintenance. NO ROLLER CHAIN OR SPROCKETS to align. 150 lb. load rating.

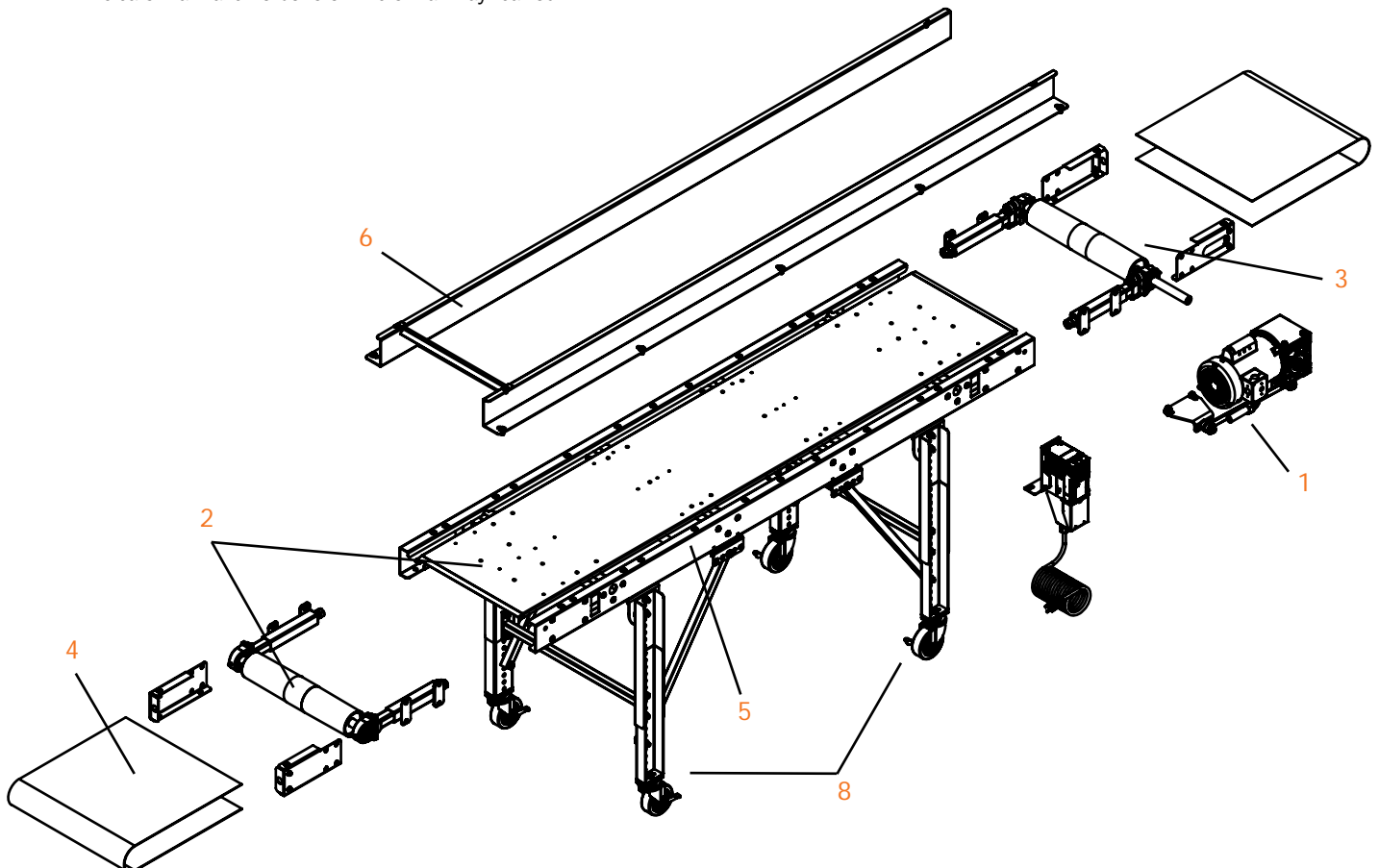
**Leg Sets and Castors:** Black powder coated steel leg sets and castors are standard on all models.

**Double V-Guide Belt Tracking:** Provides exceptionally stable belt tracking, which significantly extends belt life. Guides on the sides rather than the middle make it easier to track the belt.

**Semi-Modular Construction:** EMI belt conveyors are built in sections to allow future changes in belt length, if desired.

## EMI Merit Line, Steel and Aluminum Frame Belt Conveyor Specifications

- 1 Drive Package:** Drive Package: Includes a 1/3 hp 110V input AC (110V input with 230/60/3 output to motor) TEFC motor with a 4–40 FPM variable speed controller (2-20 FPM or 7-70 FPM are available at no charge). The gear reducer is sealed and permanently lubricated requiring no service. Power transmission is provided via direct drive configuration. 15' of SJ cord with a standard three-prong plug is pre-wired to the starter. Control wiring is contained in liquid-tight conduit and connectors. Merit Line conveyors 3'–40' long have 150 lb. maximum load.
- 2 Belt Guidance:** True Track Belt Guidance System comes standard on 3'–30' long conveyors. Using a Double V-guide slot in the frame, 1/4" wall crowned pulleys, and bonded Double V-guide belting, "True Track" minimizes belt run off and reduces belt tracking maintenance.
- 3 Pulleys:** To ensure long lived operation, 3½" diameter crowned pulleys incorporate 1" diameter shafts, self-aligning sealed ball bearings with eccentric locking collars, telescopic take-up adjustment, position locking nuts, and Zerk grease fittings.
- 4 Belting:** Our easy to clean, FDA approved, white, PVC belting with staple-type belt lacing (which prevents lacing pullout and splice failure), makes belt maintenance quick and easy. Inclined conveyors have a bottom cleat support plate and bonded flexible cleats that have no bolts or rivets that may tear out.
- 5 Frame:** Choose from 1/8" anodized sheet aluminum for greater portability, or 12-gauge powder coated (light grey) steel for maximum stability. Both are built to withstand heavy-duty industrial wear.
- 6 Rails:** To ensure molded pieces do not get pinched, damaged, or lost between the rail and belt, we place either 12-gauge stainless steel or 1/8" anodized aluminum 4" rails so that they overlap the belt. To keep your molded parts contained on the infeed end of the conveyor, we include an infeed-end backpiece.
- 7 Shipment:** Generally conveyors 3'–10' are shipped fully assembled, pre-wired, tested, and ready to run (legs must be attached). Conveyors 11' and over are shipped partially assembled to minimize shipping damage. Some frame and belt assembly is required; drive packages and system panels are pre-assembled and tested. For your convenience, arrangements can be made for longer conveyors to be shipped assembled.
- 8 Leg Sets:** Adjustable black powder coated steel leg sets and locking swivel castors are included as standard on all Merit Line conveyors. Belt height must be specified.



## Merit Line ADF Aluminum Frame | Flat Belt

**Standard belt widths: 6", 9", 12", 18", 24", 30", 36"**

**Standard lengths: 3–30' at 1' increments**

\*Consult your EMI representative for other widths and lengths

This lightweight, yet strong, aluminum conveyor has a multitude of uses: under press, along side the press, overhead and assembly station conveyors, etc. A large selection of belt speeds are available. Drive horsepower will depend on selected speed and conveyor length. Also, the number of leg sets is determined by the conveyor length.

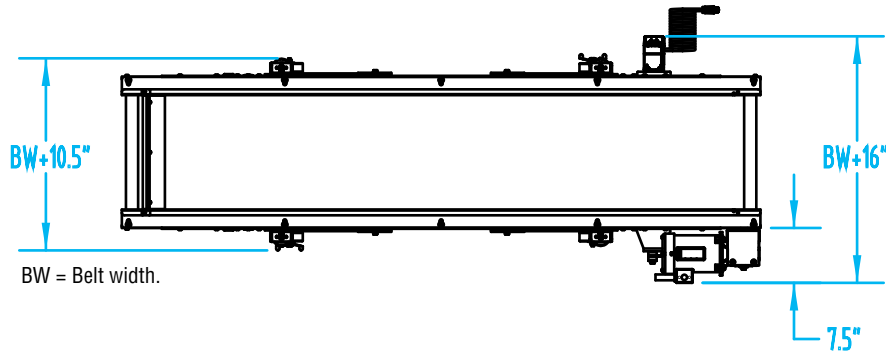


*Click for 360° View!*

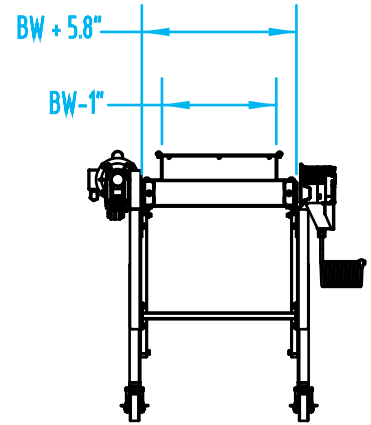
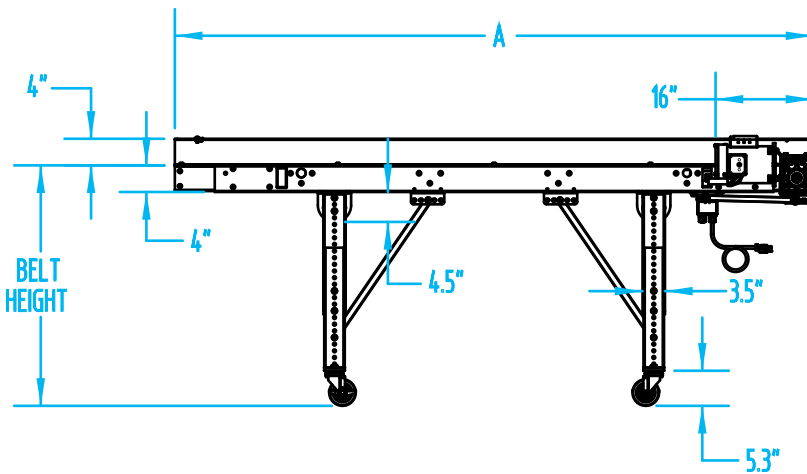
### Features

- Direct Drive configuration with 1/3 hp AC motor.
- 4–40 FPM variable speed drive.
- No roller chain or sprockets.
- Sealed gear reducer.
- 1/8" anodized aluminum construction.
- 150 lb. maximum load.
- Double V-guided, FDA approved, white PVC belt.
- 4" tall side rails lapped over conveyor belt.
- Leg sets and swivel castors included.
- 15' power cord included. Pre-wired ready to run (except polyphase systems which require some customer wiring).
- Control wiring contained in liquid-tight conduit and connectors.
- Units up to 10' length ship fully assembled.
- 3-Year Limited Warranty, see page 3.

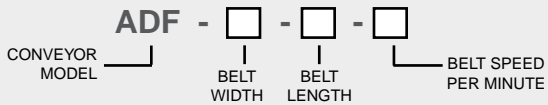




BW = Belt width.



### How to Order:



Specify the conveyor Infeed and Discharge Belt Height. Download Conveyor Specifications Form [here](#).

### Common Options

- Alternate fixed and variable speed ranges available.
- Alternate voltage electrical packages.
- Robotic and box fill controls.
- Reversing, for process control.
- Side rail extensions.
- Alternate motor locations, see page 177.
- Soft drop zone, to cushion part drop.
- Side belt guards for part containment.
- Angled nose over.
- Numerous belt options, see page 106.

## Merit Line ADC Aluminum Frame | Cleated Belt

**Standard belt widths: 6", 9", 12", 18", 24", 30", 36"**

**Standard lengths: 3–30' at 1' increments**

\*Consult your EMI representative for other widths and lengths

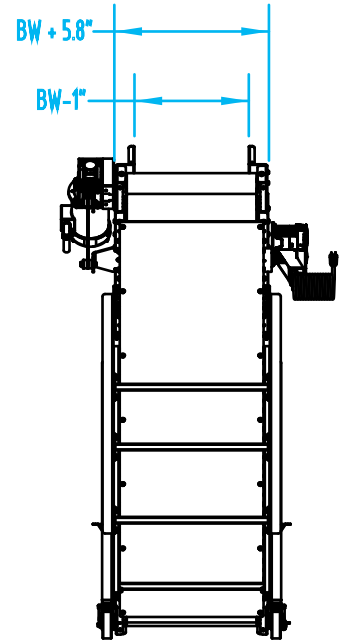
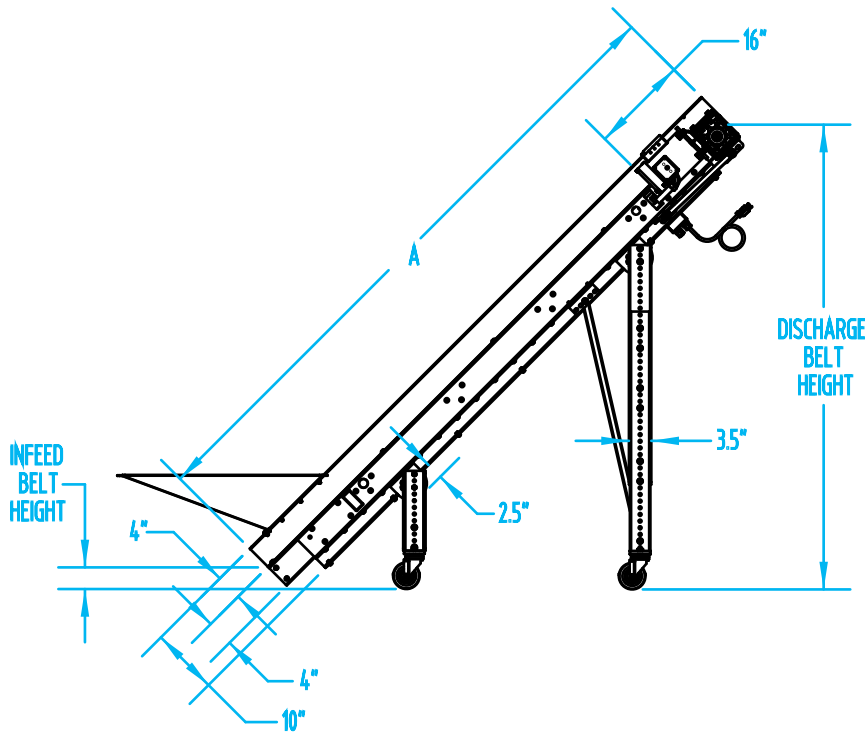
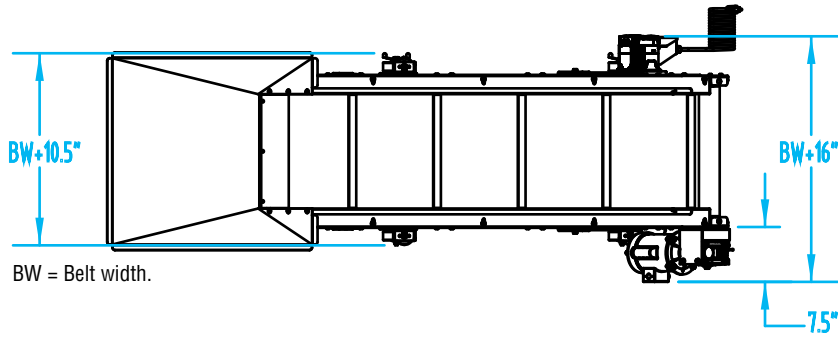
Strong, inclined conveyors move finished parts up to work stations or transfer them to, or from, flat belt conveyors for conveying to assembly or packing/shipping. A large selection of belt speeds are available. Drive horsepower will depend on selected speed and conveyor length. Also, the number of leg sets depends on conveyor length.



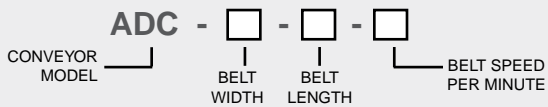
*Click for 360° View!*

### Features

- Direct Drive configuration with 1/3 hp AC motor.
- 4–40 FPM variable speed drive.
- No roller chain or sprockets.
- Sealed gear reducer.
- 150 lb. maximum load.
- Double V-guided, FDA approved, white PVC belt with 1½" tall flexible cleats on 18" centers.
- ⅜" anodized aluminum construction.
- 4" tall side rails, lapped over conveyor belt.
- Leg sets and swivel castors included.
- Infeed hoppers not included.
- 15' power cord included. Pre-wired ready to run (except polyphase systems which require some customer wiring).
- Control wiring contained in liquid-tight conduit and connectors.
- Units up to 10' length ship fully assembled.
- 3-Year Limited Warranty, see page 3.



**How to Order:**



Specify the conveyor Infeed and Discharge Belt Height. Download Conveyor Specifications Form here.

**Common Options**

- Infeed hoppers see page 174 for sizes and dimensions.
- Alternate fixed and variable speed ranges available.
- Alternate voltage electrical packages.
- Robotic and box fill controls.
- Side belt guards for part containment.
- Nose overs.
- Alternate cleat heights & spacing.
- Polycarbonate or deletion of bottom plate.
- Over-current sensing control for grinder feeding.
- Stainless steel discharge chute.
- Numerous belt options, see page 106.

## Merit Line ADK Aluminum Frame | Adjustable Angle

**Standard belt widths: 6", 9", 12", 18", 24", 30"**

**Standard lengths: 5–15' at 1' increments**

\*Consult your EMI representative for other widths and lengths

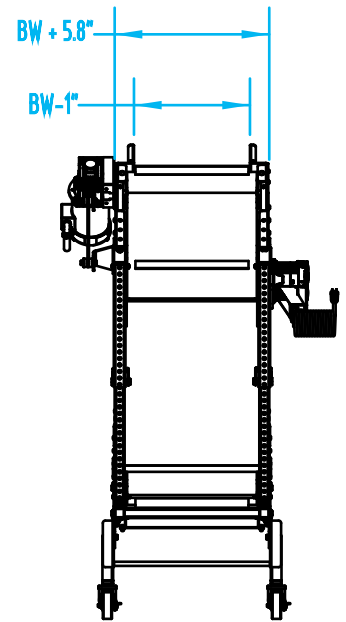
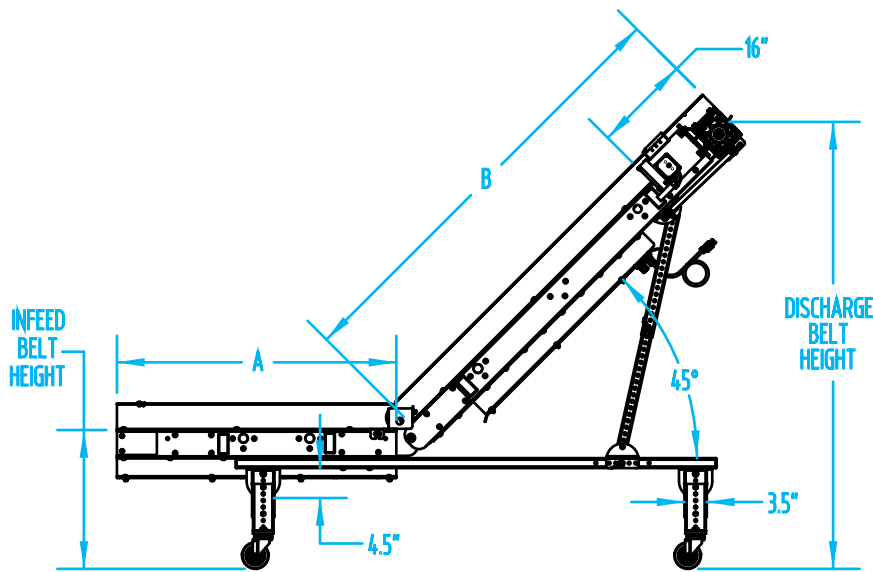
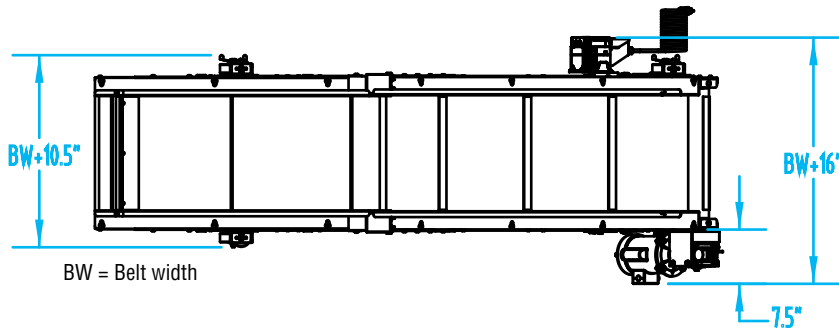
An adjustable angle of 20°–45°, makes this Adjustable Angle Conveyor perfect for under the press, along side the press or for moving parts to a trunkline, work station or automatic box filling system. Horizontal to inclined transition rollers eliminate pinch points and assure smooth part transfer. Angles and leg sets are easy to adjust. A wide choice of options allow these conveyors to be customized to suit many different types of applications.



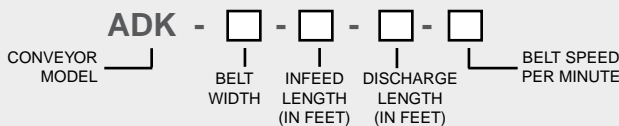
*Click for 360° View!*

### Features

- Angle adjustment from 20° to 45°.
- Direct Drive configuration with 1/3 hp AC motor.
- 4–40 FPM variable speed drive.
- No roller chain or sprockets.
- Sealed gear reducer.
- 50 lb. maximum load.
- 1/8" anodized aluminum sheet.
- Double V-guided, FDA approved, white PVC belt with 1 1/2" tall flexible cleats on 18" centers.
- 4" tall side rails, lapped over conveyor belt.
- Leg sets and swivel castors included.
- 15' power cord included. Pre-wired ready to run (except polyphase systems which require some customer wiring).
- Control wiring contained in liquid-tight conduit and connectors.
- All units ship fully assembled.
- 3-Year Limited Warranty, see page 3.



**How to Order:**



For 6", 9", 12", and 18" belt width models, the motor is located at the discharge. For 24" and 30" wide models, the motor is located at the infeed. The "A" dimension infeed length minimum is 2½'. The "B" dimension incline length minimum is 2½'. Contact EMI if A + B exceeds 15'. Download Conveyor Specifications Form [here](#).

**Common Options**

- Alternate fixed and variable speed ranges available.
- Alternate voltage electrical packages.
- Robotic and box fill controls.
- Alternate cleat heights and spacing.
- Side rail extensions.
- Alternate motor locations, see page 177.
- Stainless steel discharge chutes.
- Soft drop zone, to cushion part drop.
- Side belt guards for part containment.
- Process control for reversing.
- Numerous belt options, see page 106.



## DDZ Steel Frame | Cleated Belt Z Conveyor ADZ Aluminum Frame | Cleated Belt Z Conveyor

**Standard belt widths: 6", 9", 12", 18", 24", 30"**

**Standard Combined lengths: up to 15' at 1' increments**

\*Consult your EMI representative for other widths and lengths

This versatile conveyor can be used for a wide range of uses including under the press, along side the press or wherever a three-plane conveyor is needed. Nose-over makes it perfect for feeding into large containers or onto trunklines.

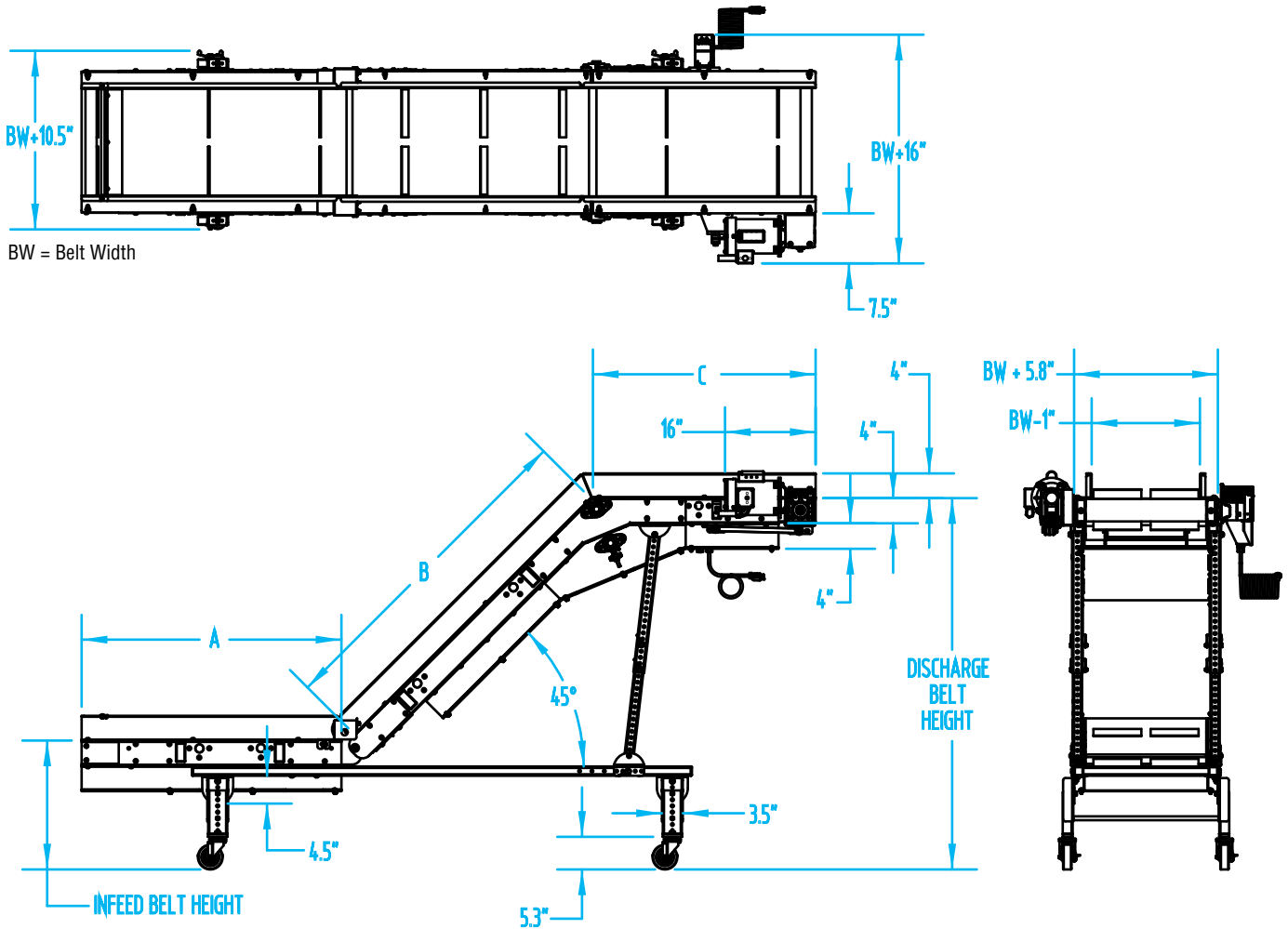
- ✓ **Direct Drive drive train requires less maintenance**
- ✓ **Double V-guided belt tracking extends belt life**



*Click for 360° View!*

### Features

- Direct Drive configuration with 1/3 hp AC motor.
- 4–40 FPM variable speed drive.
- 50 lb. maximum load.
- 12-gauge steel construction or 1/8" anodized aluminum.
- Double V-guided, FDA approved, white PVC belt with 1½" tall flexible cleats on 18" centers.
- 4" tall side rails, lapped over conveyor belt.
- Leg sets and swivel castors included.
- 15' power cord included. Pre-wired ready to run (except polyphase systems which require some customer wiring).
- Control wiring contained in liquid-tight conduit and connectors.
- Units ship fully assembled.
- 3-Year Limited Warranty, see page 3.



**How to Order:**

**DDZ** -  -  -  -  -  -   
**ADZ**  
 CONVEYOR MODEL    BELT WIDTH    INFEED LENGTH (IN FEET)    DISCHARGE LENGTH (IN FEET)    TOP SHELF LENGTH (IN FEET)    BELT SPEED PER MINUTE

Minimum infeed "A" length is 2½ ft. Minimum incline "B" length is 2½ ft. Minimum top shelf "C" length is 3 ft. Contact EMI if A + B + C exceeds 15'.  
 Download Conveyor Specifications Form here.

**Common Options**

- Alternate fixed and variable speed ranges available.
- Alternate voltage electrical packages.
- Robotic and box fill controls.
- Numerous belt options, see page 106.
- Soft drop zone, to cushion part drop.
- Side belt guards for part containment.
- Alternate motor locations, see page 177.

## Merit Line DDF Steel Frame | Flat Belt

**Standard belt widths: 6", 9", 12", 18", 24", 30", 36"**

**Standard lengths: 3–30' at 1' increments**

\*Consult your EMI representative for other widths and lengths

These strong conveyors have a multitude of uses: under press, along side the press, overhead and assembly station conveyors, etc. A large selection of belt speeds are available. Drive horsepower will depend on selected speed and conveyor length.

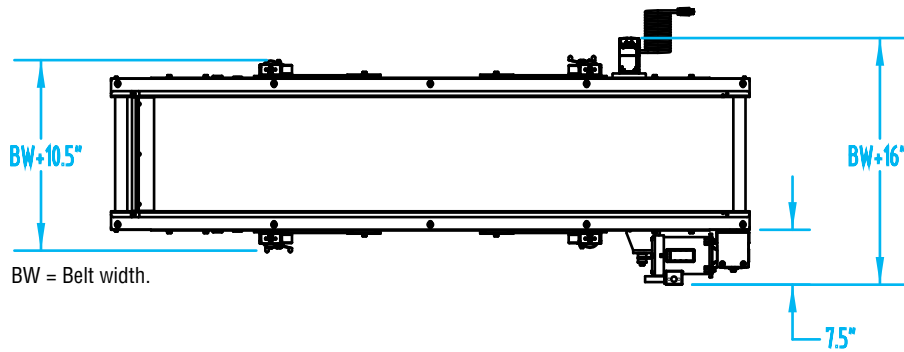


*Click for 360° View!*

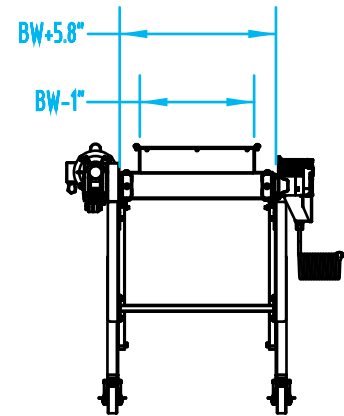
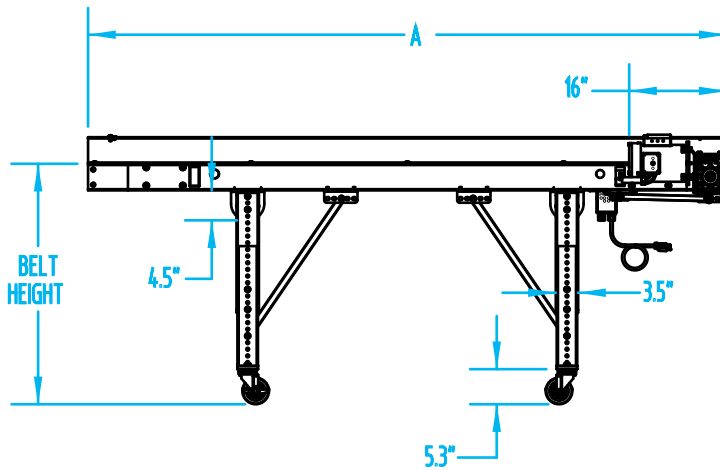
### Features

- Direct Drive configuration with 1/3 hp AC motor.
- 4–40 FPM variable speed drive.
- No roller chain or sprockets.
- Sealed gear reducer.
- 150 lb. maximum load.
- 12-gauge steel construction.
- Double V-guided, FDA approved, white PVC belt.
- 4" tall side rails, lapped over conveyor belt.
- Leg sets and swivel castors included.
- 15' power cord included. Pre-wired ready to run (except polyphase systems which require some customer wiring).
- Control wiring contained in liquid-tight conduit and connectors.
- Units up to 10' length ship fully assembled.
- 3-Year Limited Warranty, see page 3.

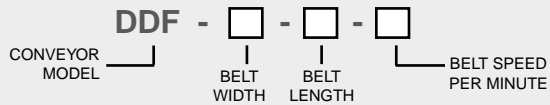




BW = Belt width.



### How to Order:



Specify the conveyor Infeed and Discharge Belt Height.  
 Horsepower charts are on page 170.  
 Download Conveyor Specifications Form [here](#).

### Common Options

- Alternate fixed and variable speed ranges.
- Alternate voltage electrics.
- Robotic and box fill controls.
- Reversing for process control.
- Side rail extensions.
- Alternate motor locations, see page 177.
- Soft drop zone, to cushion part drop.
- Side belt guards for part containment.
- Angled nose over.
- Numerous belt options, see page 106.

## Merit Line DDC Steel Frame | Cleated Belt

**Standard belt widths: 6", 9", 12", 18", 24", 30", 36"**

**Standard lengths: 3–30' at 1' increments**

\*Consult your EMI representative for other widths and lengths

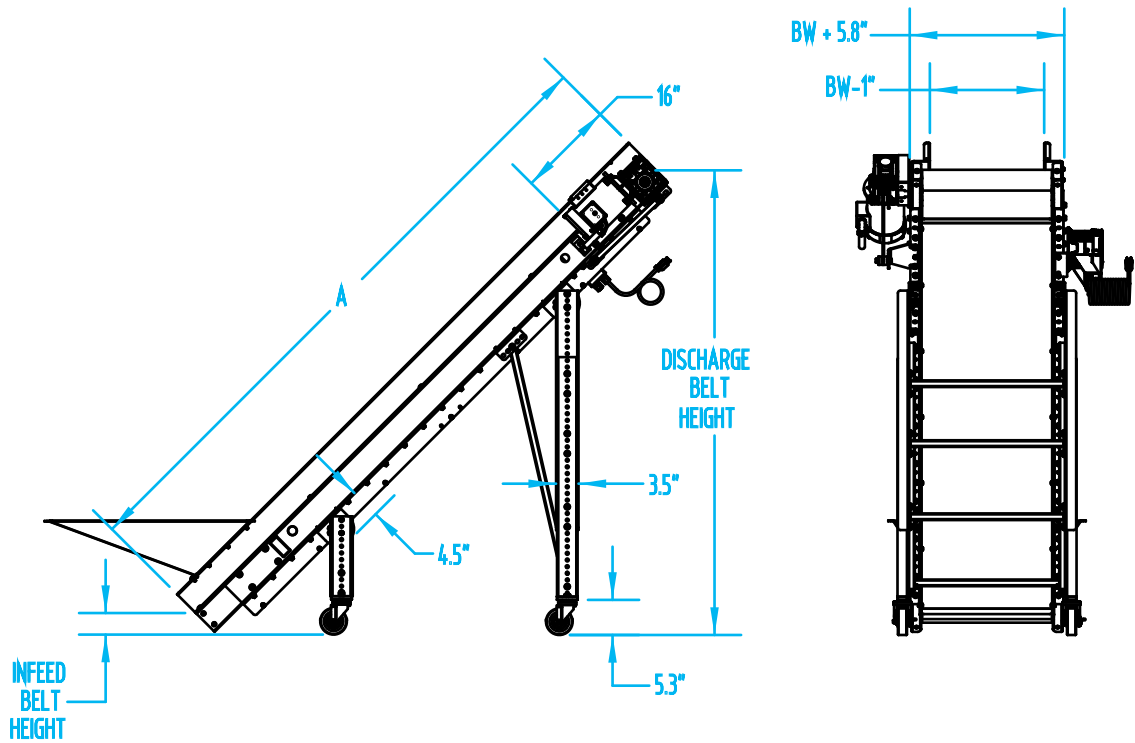
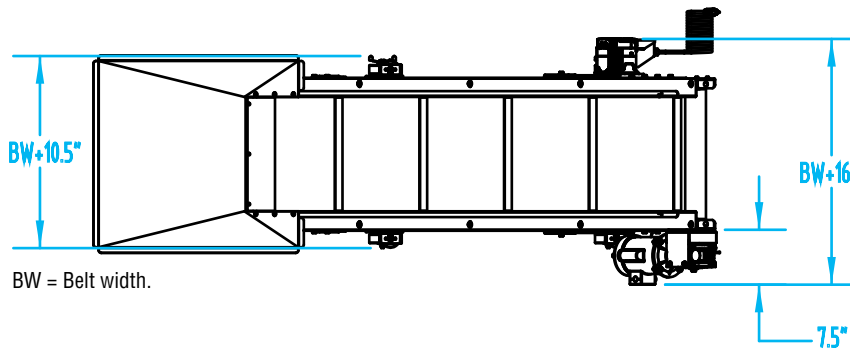
Strong, inclined conveyors move finished parts up to work stations or transfer them to, or from, flat belt conveyors for conveying to assembly or packing/shipping. A large selection of belt speeds are available. Drive horsepower will depend on selected speed and conveyor length. Also, the number of leg sets depends on conveyor length.



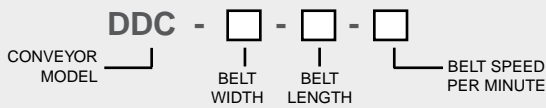
*Click for 360° View!*

### Features

- Direct Drive configuration with 1/3 hp AC motor.
- 4–40 FPM variable speed drive.
- No roller chain or sprockets.
- Sealed Gear reducer.
- 150 lbs. maximum load.
- Double V-guided, FDA approved, white PVC belt with 1½" tall flexible cleats on 18" centers.
- 12-gauge steel construction.
- 4" tall side rails, lapped over conveyor belt.
- Leg sets and swivel castors included.
- Hopper not included (H-8 hopper shown).
- 15' power cord included. Pre-wired ready to run (except polyphase systems which require some customer wiring).
- Control wiring contained in liquid-tight conduit and connectors.
- Units up to 10' length ship fully assembled.
- 3-Year Limited Warranty, see page 3.



**How to Order:**



Specify the conveyor Infeed and Discharge Belt Height.  
Horsepower charts are on page 170.  
Download Conveyor Specifications Form [here](#).

**Common Options**

- Infeed hoppers see page 174 for sizes and dimensions.
- Alternate fixed and variable speed ranges.
- Alternate voltage electrics.
- Robotic and box fill controls.
- Side belt guards for part containment.
- Nose overs.
- Numerous belt options, see page 106.
- Polycarbonate or deletion of bottom plate.
- Over-current sensing control for grinder feeding.
- Stainless steel discharge chute.
- Alternate motor locations, see page 177.

## Merit Line DDK Steel Frame | Adjustable Angle

**Standard belt widths: 6", 9", 12", 18", 24", 30"**

**Standard lengths: 5–15' at 1' increments**

\*Consult your EMI representative for other widths and lengths

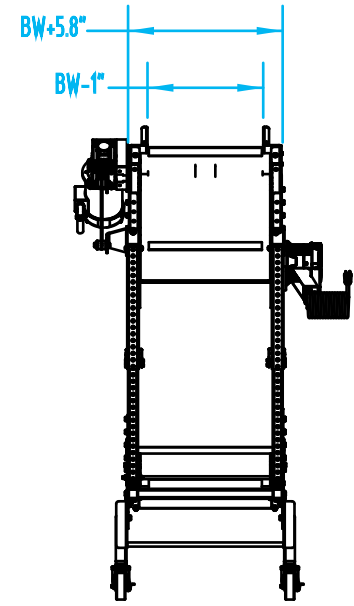
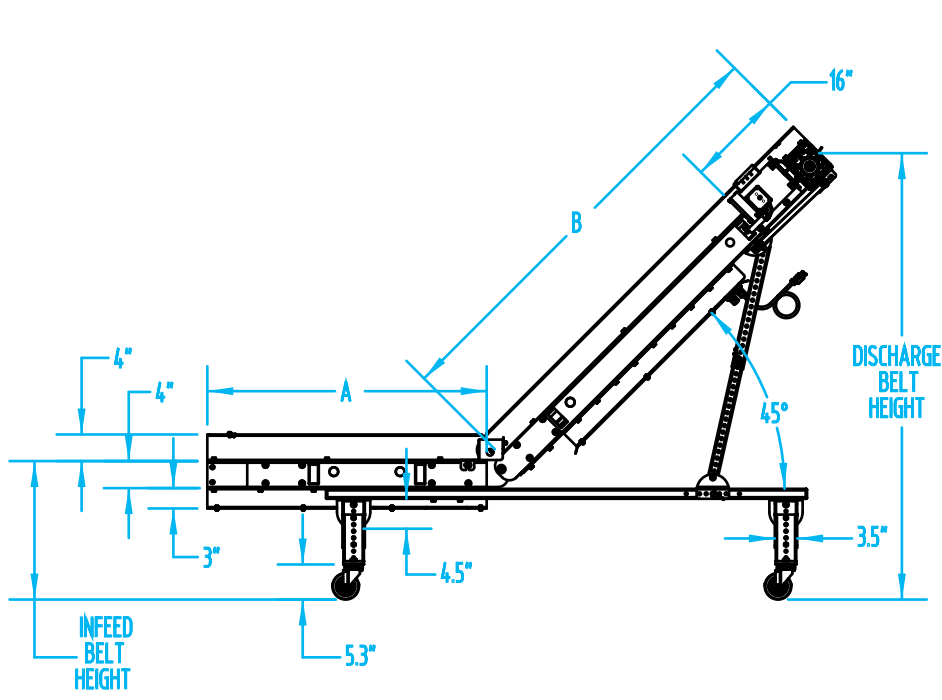
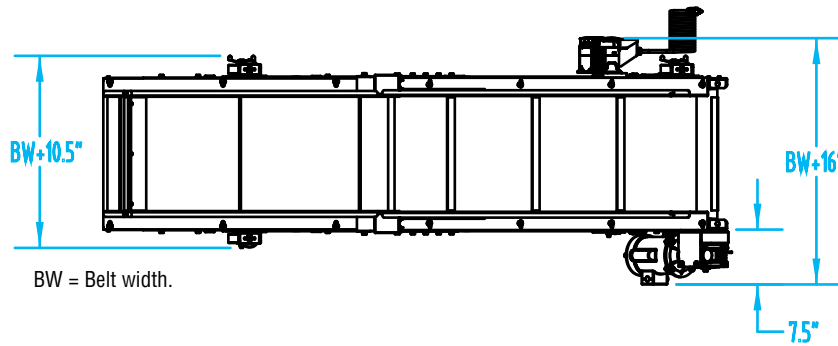
An adjustable angle of 20°–45°, makes this Adjustable Angle Conveyor perfect for under the press, along side the press or for moving parts to a trunkline, work station or automatic box filling system. Horizontal to inclined transition rollers eliminate pinch points and assure smooth part transfer. Angles and leg sets are easy to adjust. A wide choice of options allow these conveyors to be customized to suit many different types of applications.



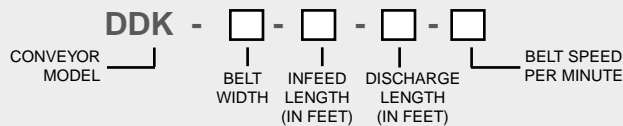
*Click for 360° View!*

### Features

- Angle adjustment from 20°–45°.
- Direct Drive configuration with 1/3 hp AC motor.
- 4–40 FPM variable speed drive.
- No roller chain or sprockets.
- Sealed gear reducer.
- 50 lb. maximum load.
- 12-gauge steel construction.
- Double V-guided, FDA approved, white PVC belt with 1½" tall cleats on 18" centers.
- 4" tall side rails, lapped over conveyor belt.
- Leg sets and swivel castors included.
- 15' power cord included. Pre-wired ready to run (except polyphase systems which require some customer wiring).
- Control wiring contained in liquid-tight conduit and connectors.
- All units ship fully assembled.
- 3-Year Limited Warranty, see page 3.



**How to Order:**



For 6", 9", 12", and 18" belt width models, the motor is located at the discharge. For 24" and 30" wide models, the motor is located at the infeed. The "A" dimension infeed length minimum is 2½'. The "B" dimension incline length minimum is 2½'. Contact EMI if A + B exceeds 15'.  
 Download Conveyor Specifications Form [here](#).

**Common Options**

- Alternate fixed and variable speed ranges.
- Alternate voltage electrics.
- Robotic and box fill controls.
- Alternate cleat heights and spacing.
- Side rail extensions.
- Alternate motor locations, see page 177.
- Stainless steel discharge chutes.
- Soft drop zone, to cushion part drop.
- Side belt guards for part containment.
- Process control for reversing.
- Numerous belt options, see page 106.



## ANO65 Aluminum Frame | 65° Nose-Over, Cleated Belt SNO65 Steel Frame | 65° Nose-Over, Cleated Belt

**Standard belt widths: 6", 9", 12", 18", 24"**

**Standard Combined lengths: to 20' at 1' increments**

\*Consult your EMI representative for other widths and lengths

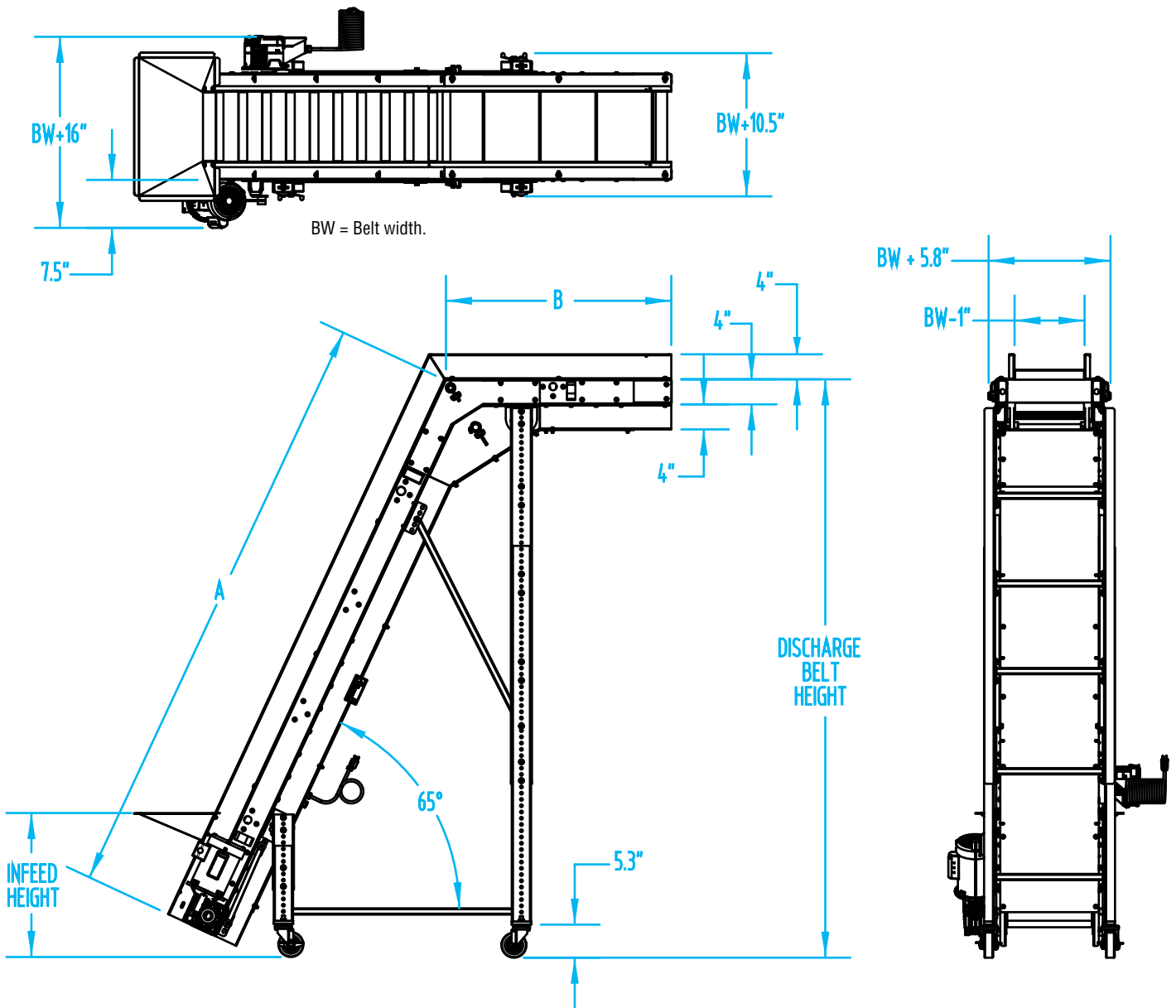
Perfect for feeding into vibratory bowls or cap liners, EMI's popular Direct Drive, 65° angle, nose-over conveyor is one of our standard products. An extensive choice of options—including alternate cleat spacing, and cleat height—offers customized solutions to meet a broad range of application needs.

### Features

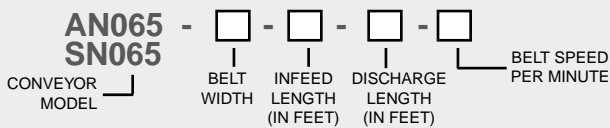
- Direct Drive configuration with 1/3 hp AC motor.
- 4–40 FPM variable speed drive.
- 50 lb. maximum load.
- 12-gauge steel construction or 1/8" anodized aluminum.
- Double V-guided belt with 1½" tall cleats on 9" centers.
- 4" tall side rails, lapped over conveyor belt.
- Infeed hopper. Different sizes and configurations available.
- Leg sets and swivel locking castors included. Specify infeed and discharge belt heights.
- 15' power cord included. Pre-wired ready to run (except polyphase systems which require some customer wiring).
- Control wiring contained in liquid-tight conduit and connectors.
- Units ship fully assembled.
- 3-Year Limited Warranty, see page 3.



*Click for 360° View!*



**How to Order:**



Download Conveyor Specifications Form [here](#).

Minimum infeed length is 3'.  
 Minimum discharge length is 3'.  
**Both combined cannot exceed 20'.**

**Common Options**

- Alternate voltage electrics.
- Box fill controls.
- Numerous belt options, see page 106.
- Infeed hopper options.
- Side belt guards for part containment.
- Alternate motor locations, see page 177.



# Clean Room Aluminum Frame Conveyors

Minimizing grease, oil, dirt and debris in a sanitary environment can be one of the biggest challenges for medical molders. EMI designed conveyors that offer a high-quality, economical solution for automating clean room facilities. These standard conveyors can be customized with several available options to better suit a molder's specific needs.

Our clean conveyors' sturdy construction makes them reliable and durable even under the most demanding applications. A 3-year warranty is included, see page 3.



## Clean Room Features:

**Corrosion Resistant:** Aluminum framing and stainless steel guarding and legs resist corrosion and eliminate paint-chip contamination.

**USDA/FDA Approved Belting Material**

**Direct Drive Package:** Replaces leak-prone, chain-driven systems.

**Open-Construction Slide Bed:** With UHMW contact strips eliminates places where abrasive debris can collect.

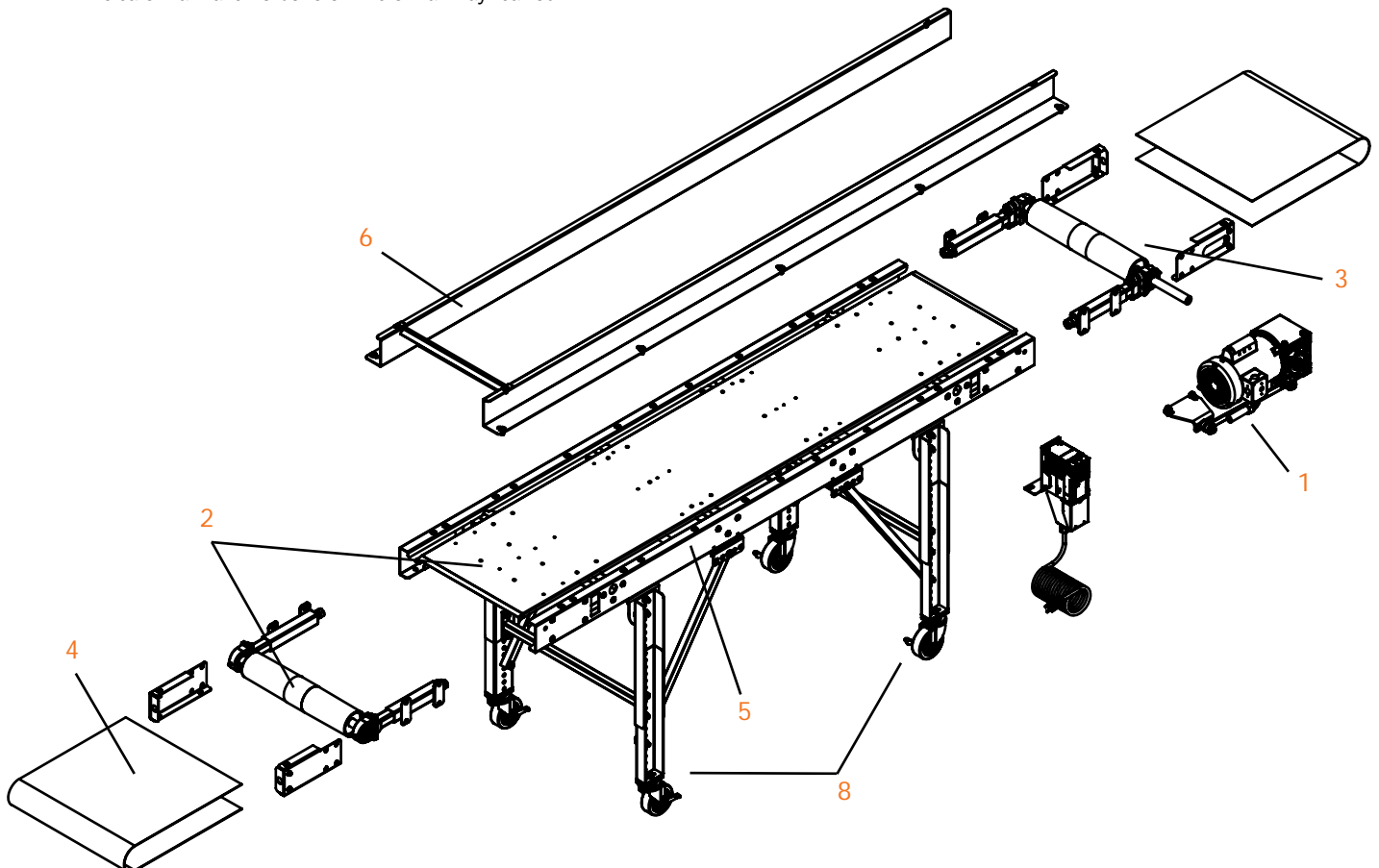
**Sealed Bearings:** Reduces the possibility of lubricant leaks.

**Semi-Modular Construction:** EMI belt conveyors are built in sections to allow future changes in belt length, if desired.



## EMI Clean Room, Aluminum Frame Belt Conveyor Specifications

- 1 **Drive Package:** The Direct Drive package includes a 1/3 hp 110V input AC TEFC motor (110V input with 230/60/3 output to motor) with a 4–40 FPM variable speed controller. The gear reducer is sealed and permanently lubricated requiring no service. Power transmission is provided via direct drive configuration. 15' of SJ cord with a standard three-prong plug is pre-wired to the starter. Control wiring is contained in liquid-tight conduit and connectors. Drive packages 3'–30' long have 150 lb. maximum load.
- 2 **Belt Guidance:** True Track Belt Guidance System comes standard on 3'–30' long conveyors. Using a Double V-guide slot in the frame, 1/4" wall crowned pulleys, and bonded Double V-guide belting, "True Track" minimizes belt run off and reduces belt tracking maintenance.
- 3 **Pulleys:** To ensure long-lived operation, 3½" diameter crowned pulleys incorporate 1" diameter shafts, self-aligning sealed ball bearings with eccentric locking collars, telescopic take-up adjustment, position locking nuts, and Zerk grease fittings.
- 4 **Belting:** Our easy to clean, FDA approved, white, PVC belting with staple-type belt lacing (which prevents lacing pullout and splice failure), makes belt maintenance quick and easy. Inclined conveyors have a bottom cleat support plate and bonded flexible cleats that have no bolts or rivets that may tear out.
- 5 **Frame:** 1/8" anodized sheet aluminum for greater portability, and built to withstand heavy-duty industrial wear.
- 6 **Rails:** The standard 1/8" anodized aluminum 4" rails so that they overlap the belt to ensure molded pieces do not get pinched, damaged, or lost between the rail and belt. To keep your molded parts contained on the infeed end of the conveyor, we include an infeed-end backpiece.
- 7 **Shipment:** Generally conveyors 3'–10' are shipped fully assembled, pre-wired, tested, and ready to run (legs must be attached). Conveyors 11' and over are shipped partially assembled to minimize shipping damage. Some frame and belt assembly is required; drive packages and system panels are pre-assembled and tested. For your convenience, arrangements can be made for longer conveyors to be shipped assembled.
- 8 **Leg Sets:** Adjustable stainless steel leg sets and locking swivel castors are included as standard on all clean room conveyors. Belt height must be specified.



## Clean Room Conveyor ACRF Aluminum Frame | Flat Belt

**Standard belt widths: 6", 9", 12", 18", 24", 30", 36"**

**Standard lengths: 3'–30' at 1' increments**

\*Consult your EMI representative for other widths and lengths

### Custom Clean Room Automation Systems

Our ACR line of clean room friendly conveyors offers medical molders a high-quality, economical solution for automating their clean room facilities.

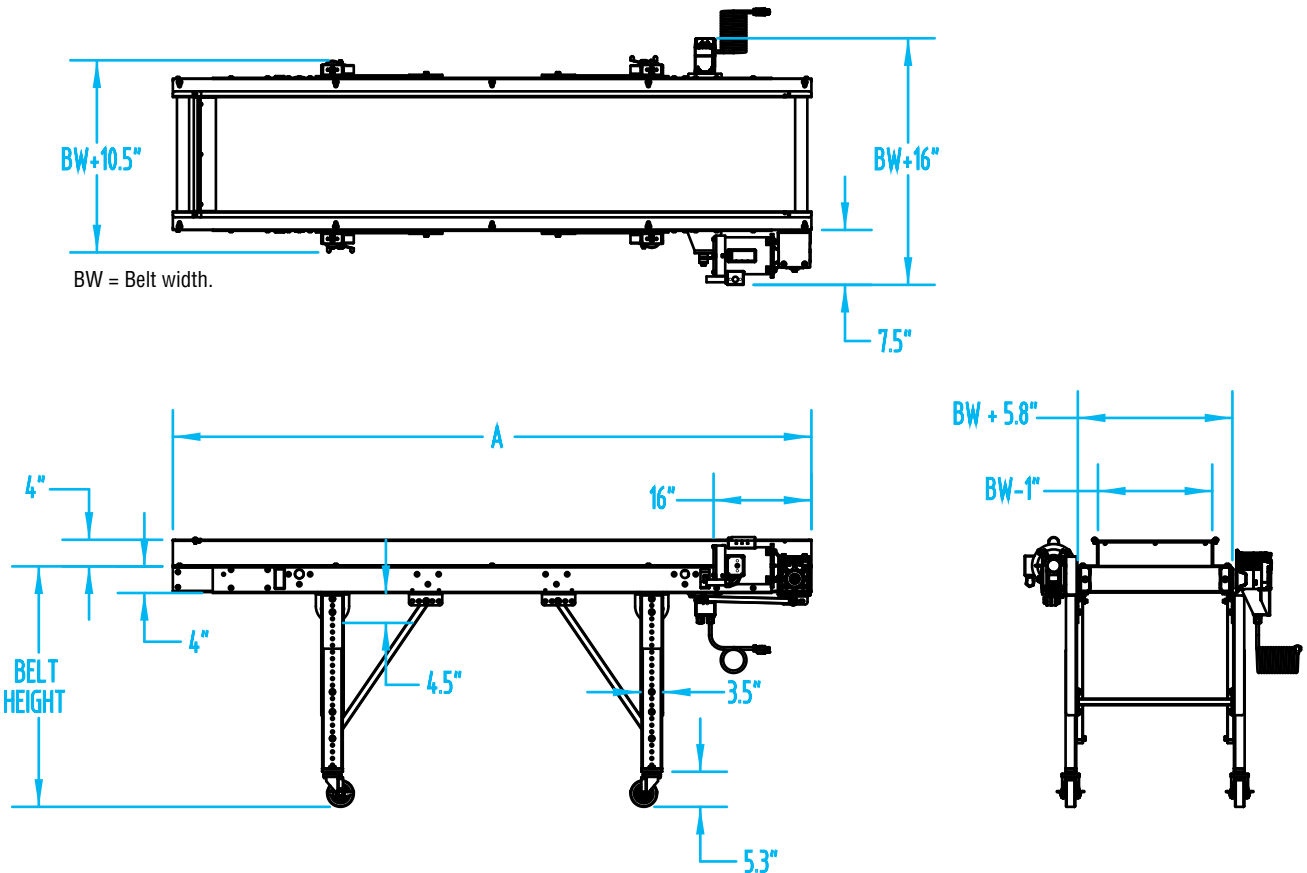
These standard and optional features can also be built into many of EMI's standard conveyors and automation systems. We can custom design and build a complete clean room automation system including conveyors, cycle count and filling systems and end-of-arm tooling.



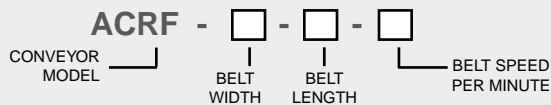
*Click for 360° View!*

### Features

- Anodized aluminum framing and side rails along with stainless steel guarding and legs resist corrosion and eliminate paint-chip contamination.
- Direct Drive configuration with 1/3 hp AC motor.
- USDA/FDA approved belting material.
- An open-construction slide bed with UHMW contact strips eliminates places where abrasive debris can collect (a).
- Sealed bearings reduce the chance of lubricant leaks.
- 15' power cord included. Pre-wired ready to run (except polyphase systems which require some customer wiring).
- Control wiring contained in liquid-tight conduit.
- Units up to 10' length ship fully assembled.
- 3-Year Limited Warranty, see page 3.



**How to Order:**



Specify the conveyor Infeed Belt Height and Discharge Belt Height. Leg set #1 will be located under drive package for 3'-6' long and 6"-9" wide conveyors. Horsepower charts are on page 170. Download Conveyor Specifications Form [here](#).

**Common Options**

- Stainless steel framing side rails.
- **Sealed belt edges to minimize dust from belt fraying.**
- Non-fraying Intralox® plastic belting eliminates friction contamination and is fast and easy to clean.
- Wash-down compliant electrics.
- USDA/FDA approved Delrin® rail lining.
- Maintenance-free, eco-friendly gearbox lubricated with food-grade grease to prevent leak contamination.
- Deionizing blowers to eliminate static electricity and prevent particulates from sticking to parts.
- Catch trays to prevent particulates from escaping into the environment.

## Clean Room Conveyor ACRC Aluminum Frame | Cleated Belt

**Standard belt widths: 6", 9", 12", 18", 24", 30", 36"**

**Standard lengths: 3'–30' at 1' increments**

\*Consult your EMI representative for other widths and lengths

### Custom Clean Room Automation Systems

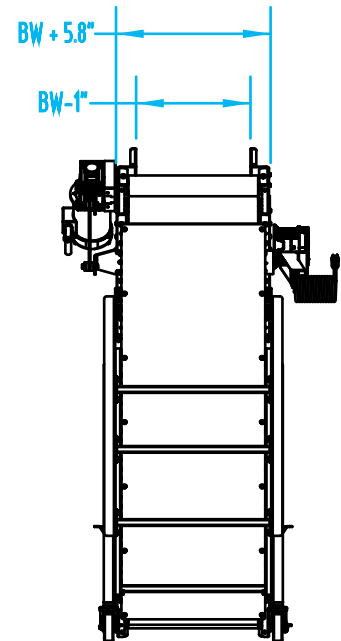
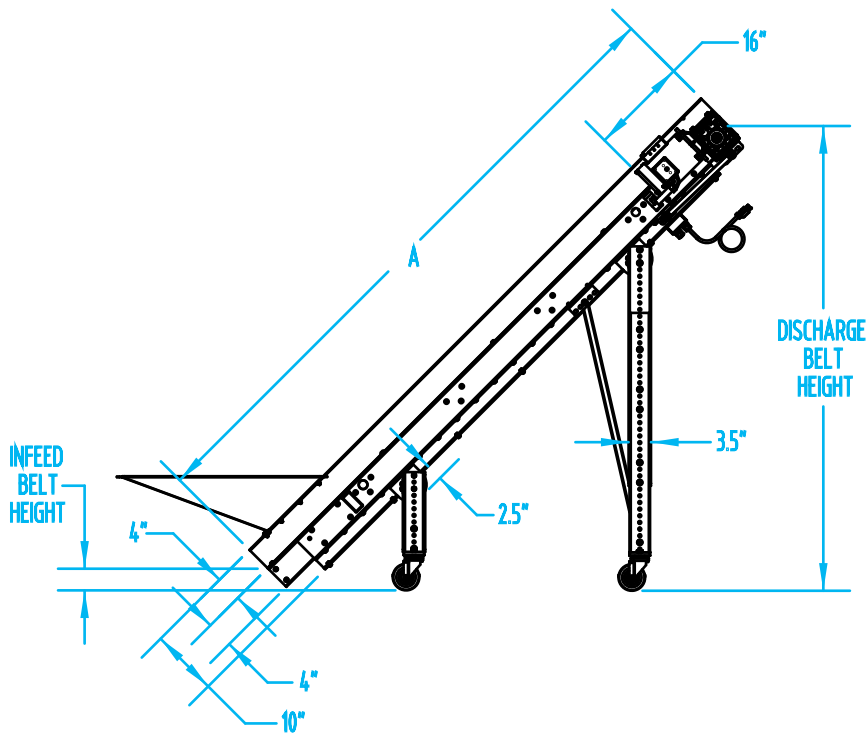
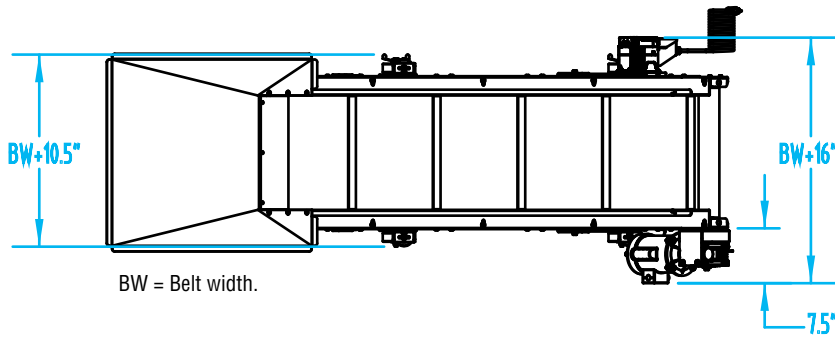
These standard and optional features can be built into many of EMI's other conveyors and automation systems. We can custom design and build a complete clean room automation system including conveyors, cycle count and filling systems, and end-of-arm tooling.



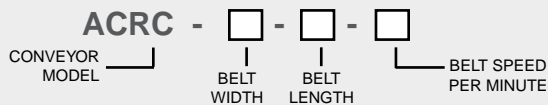
*Click for 360° View!*

### Features

- Anodized aluminum framing and side rails, along with stainless steel guarding and legs resist corrosion and eliminate paint-chip contamination.
- Direct Drive configuration with 1/3 hp AC motor.
- USDA/FDA approved belting material.
- An open-construction slide bed with UHMW contact strips eliminates places where abrasive debris can collect.
- Sealed bearings reduce the chance of lubricant leaks.
- 15' power cord included. Pre-wired ready to run (except polyphase systems which require some customer wiring).
- Hopper not included.
- Control wiring contained in liquid-tight conduit.
- Units up to 10' length ship fully assembled.
- 3-Year Limited Warranty, see page 3.



**How to Order:**



Specify the Infeed Belt Height and Discharge Belt Height. Leg set #1 will be located under drive package for 3'-6' long and 6"-9" wide conveyors. Horsepower charts are on page 170. Download Conveyor Specifications Form [here](#).

**Common Options**

- Stainless steel framing and side rails.
- **Sealed belt edges to minimize dust from belt fraying.**
- Non-fraying Intralox® plastic belting eliminates friction contamination and is fast and easy to clean.
- Wash-down compliant electrics.
- USDA/FDA approved Delrin® rail lining.
- Maintenance-free, eco-friendly gearbox lubricated with food-grade grease to prevent leak contamination.
- Deionizing blowers to eliminate static electricity and prevent particulates from sticking to parts.
- Catch trays to prevent particulates from escaping into the environment.

## Clean Room Conveyor ACRK Aluminum Frame | Adjustable Angle

**Standard belt widths: 6", 9", 12", 18", 24", 30"**

**Standard lengths: 5'–15' at 1' increments**

\*Consult your EMI representative for other widths and lengths

### Custom Clean Room Automation Systems

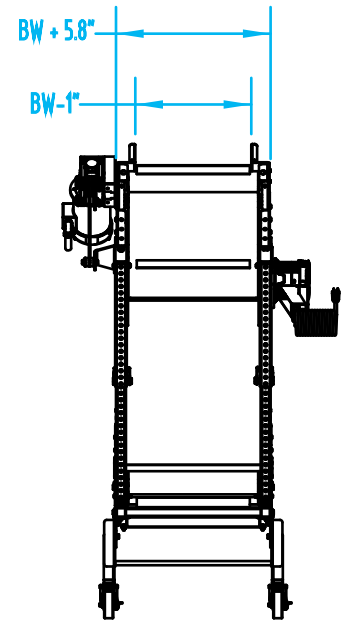
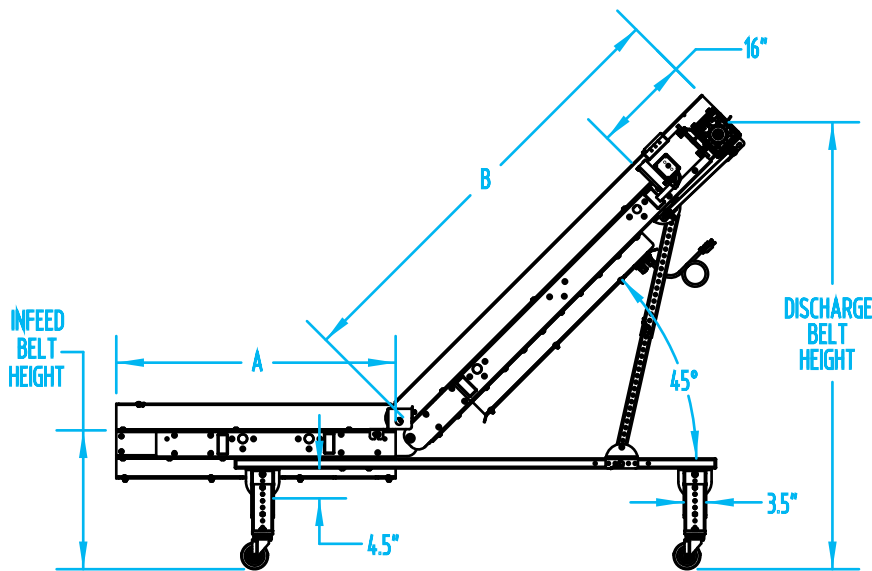
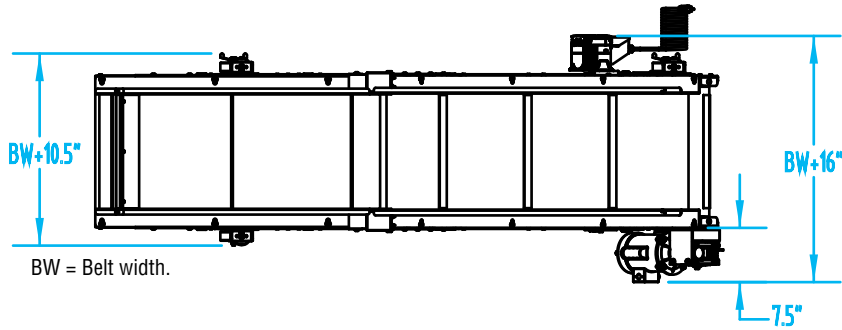
These standard and optional features can be built into many of EMI's other conveyors and automation systems. We can custom design and build a complete clean room automation system including conveyors, cycle count and filling systems, and end-of-arm tooling.



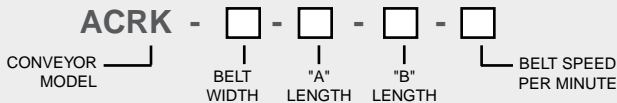
*Click for 360° View!*

### Features

- Anodized aluminum framing and side rails, along with stainless steel guarding and legs resist corrosion and eliminate paint-chip contamination.
- Direct Drive configuration with 1/3 hp AC motor.
- USDA/FDA approved belting material.
- An open-construction slide bed with UHMW contact strips eliminates places where abrasive debris can collect.
- Sealed bearings reduce the chance of lubricant leaks.
- 15' power cord included and pre-wired ready-to-run (except polyphase systems which require some customer wiring).
- Control wiring contained in liquid-tight conduit.
- Units up to 10' length ship fully assembled.
- 3-Year Limited Warranty, see page 3.



### How to Order:



For 6", 9", 12", and 18" belt width models, the motor is located at the discharge. For 24" and 30" wide models, the motor is located at the infeed. The "A" dimension infeed length minimum is 2½'. The "B" dimension incline length minimum is 2½'. Contact EMI if A + B exceeds 15'. 11" min. infeed belt height with standard legs and castors. Download Conveyor Specifications Form [here](#).

### Common Options

- Stainless steel framing and side rails.
- **Sealed belt edges to minimize dust from belt fraying.**
- Non-fraying Intralox® plastic belting eliminates friction contamination and is fast and easy to clean.
- Wash-down compliant electrics.
- USDA/FDA approved Delrin® rail lining.
- Maintenance-free, eco-friendly gearbox lubricated with food-grade grease to prevent leak contamination.
- Deionizing blowers to eliminate static electricity and prevent particulates from sticking to parts.
- Catch trays to prevent particulates from escaping into the environment.

## Clean Room Conveyor Options

Minimizing grease, oil, dirt and debris in a sanitary environment can be one of the biggest challenges for medical molders. EMI designed conveyors that offer a high-quality, economical solution for automating clean room facilities. These standard conveyors can be customized with several available options to better suit a molder's specific needs. Our clean conveyors' sturdy construction makes them reliable and durable even under the most demanding applications.

**Corrosion Resistant:** Aluminum or stainless steel framing as well as stainless steel guarding and legs resist corrosion and eliminate paint-chip contamination.

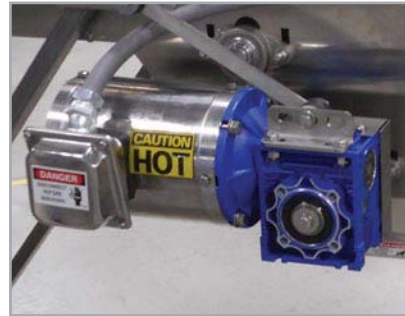
**USDA/FDA Approved Belting Material**

**Direct Drive:** Replaces leak-prone, chain-driven drive packages.

**Open-Construction Slide Bed:** With UHMW contact strips eliminates places where abrasive debris can collect.

**Sealed Bearings:** Reduces the possibility of lubricant leaks.

**Part Cooling:** Ambient air cooling with HEPA air filter.



*Wash-down motor*



*This clean room stainless steel tote filling system utilizes a flat belt ACRF and gravity rollers. Boxfill controls, sweep arms, box stops and indexing rails position totes for precise filling. Please note our power rollers cannot be sprayed down, but can be cleaned with an alcohol solution.*



## Clean Room Conveyor Options

### Common Clean Room Options:

- Stainless steel framing.
- Sealed belt edges to minimize dust from belt fraying.
- Non-fraying Intralox® plastic belting eliminates friction contamination and is fast and easy to clean.
- Wash-down compliant electrics.
- USDA/FDA approved Delrin® rail lining.
- Maintenance-free, eco-friendly gearbox lubricated with food-grade grease to prevent leak contamination.
- Deionizing blowers to eliminate static electricity and prevent particulates from sticking to parts.
- Catch trays to prevent particulates from escaping into the environment.
- Sealed bearings reduce the possibility of lubricant leaks.
- Sealed pulley for easy tear-down and cleaning.





# Signature Line Steel Frame Conveyors

EMI's Signature Line steel frame conveyors give you a cost-effective way to build an automation system which can make your profits soar! These strong, heavy-duty belt conveyors can meet your requirements today and be adapted to your future needs. They can be customized from hundreds of options and a 3-year warranty is included, see page 3.

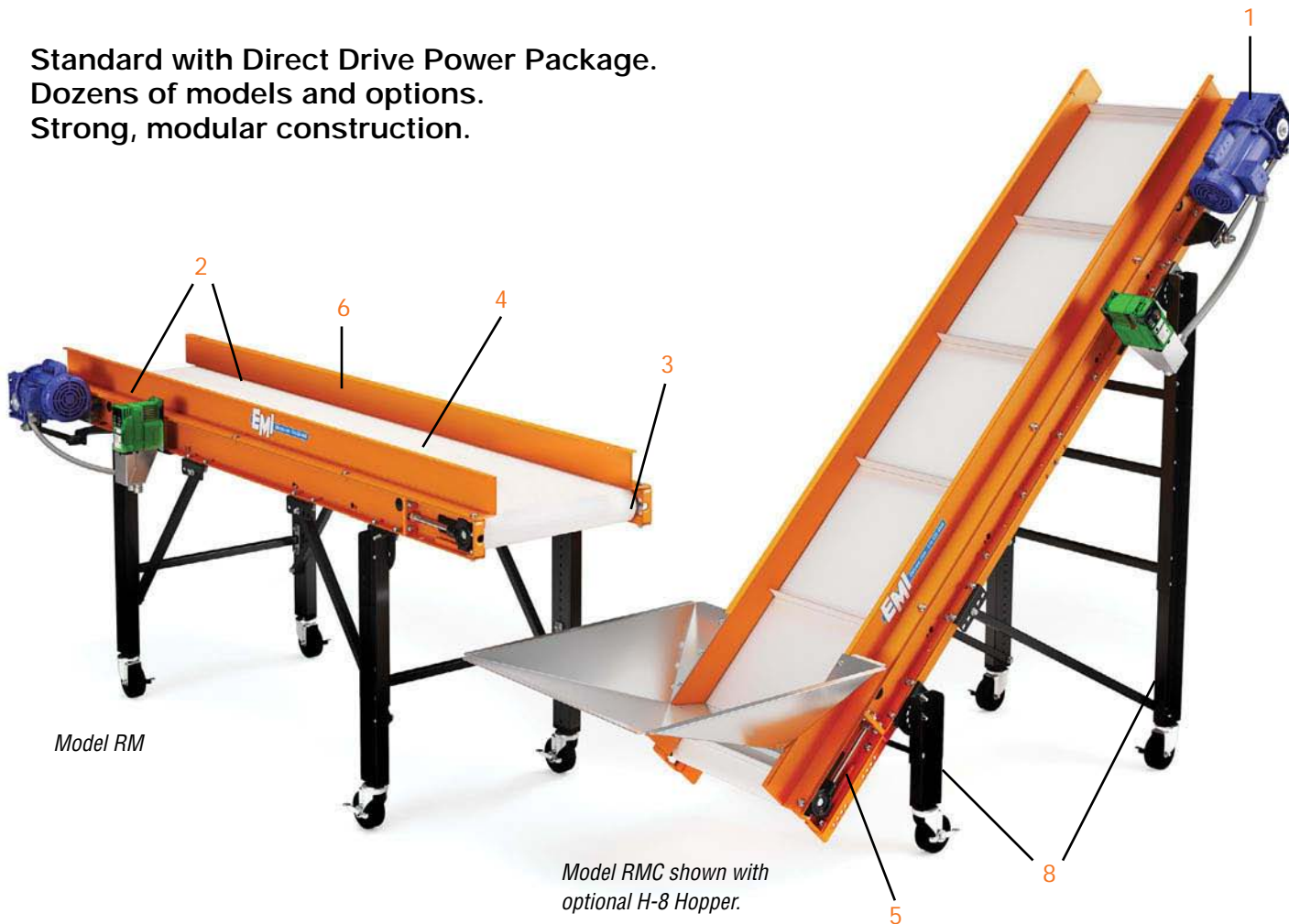


*How-to Video:  
Replace a Belt*



*How-to Video:  
Flip Motor Position*

**Standard with Direct Drive Power Package.  
Dozens of models and options.  
Strong, modular construction.**



## Signature Line Features:

**Steel Frame:** For maximum heavy-duty industrial wear.

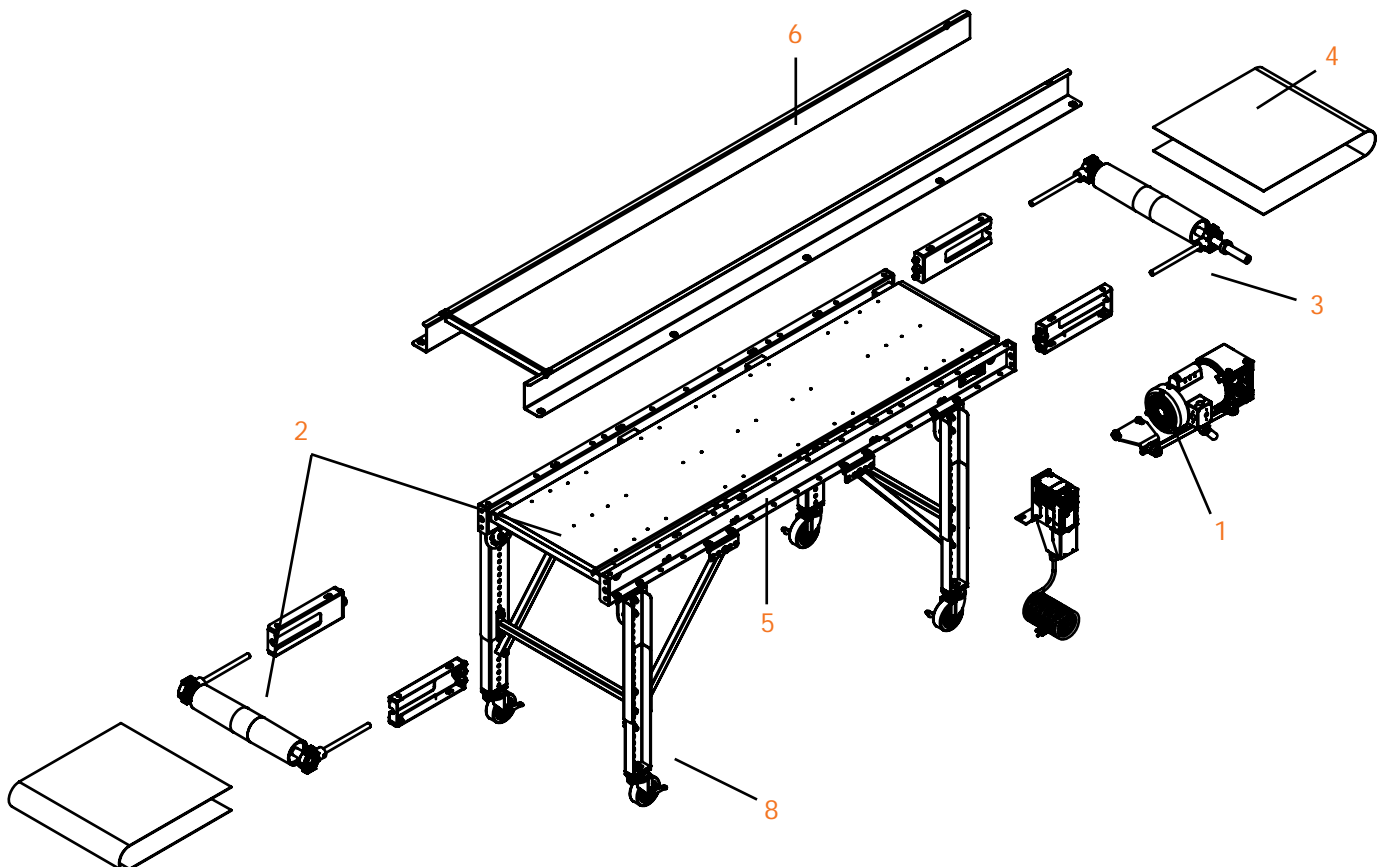
**Direct Drive Package:** The motor and SEALED GEAR REDUCER attach directly to the pulley shaft, minimizing PM maintenance. NO ROLLER CHAIN OR SPROCKETS to align. 150 lb. load rating. 1/3hp AC motor (110V input with 230/60/3 output to motor) 4–40 FPM variable speed drive.

**Leg Sets and Castors:** Black powder coated steel leg sets are standard on all Signature Line models.

**Double V-Guide Belt Tracking:** Provides exceptionally stable belt tracking, which significantly extends belt life. Guides on the sides rather than the middle make it easier to track the belt.

## EMI Signature Line, Steel Frame Belt Conveyor Specifications

- 1 **Drive Package:** Includes a 1/3 hp 110V input AC TEFC motor (110V input with 230/60/3 output to motor) with a 4–40 FPM variable speed controller. The gear reducer is sealed and permanently lubricated requiring no service. Power transmission is provided via direct drive configuration. 15' of SJ cord with a standard three-prong plug is pre-wired to the starter. Control wiring is contained in liquid-tight conduit and connectors. Drive packages 3'–30' long have 150 lb. maximum load.
- 2 **Belt Guidance:** True Track Belt Guidance System comes standard on 3'–30' long conveyors. Using a Double V-guide slot in the frame, 1/4" wall crowned pulleys, and bonded Double V-guide belting, "True Track" minimizes belt run off and reduces belt tracking maintenance.
- 3 **Pulleys:** To ensure long-lived operation, 3 1/2" diameter crowned pulleys incorporate 1" diameter shafts, self-aligning sealed ball bearings with eccentric locking collars, telescopic take-up adjustment, position locking nuts, and Zerk grease fittings.
- 4 **Belting:** is easy to clean, FDA approved, white, PVC belting with staple-type belt lacing (which prevents lacing pullout and splice failure), makes belt maintenance quick and easy. Inclined conveyors have a bottom cleat support plate and bonded flexible cleats that have no bolts or rivets that may tear out.
- 5 **Frame:** Our sturdy, reinforced, welded, cross-braced steel frames, powder coated safety orange (other colors are available) incorporate 12-gauge channels with a 16-gauge slide bed to minimize twist and camber, and provide longer service life.
- 6 **Rails:** To ensure molded pieces do not get pinched, damaged, or lost between the rail and belt, we place our 12-gauge steel 4" rails so that they overlap the belt. To keep your molded parts contained on the infeed end of the conveyor, we include an infeed-end flapper assembly.
- 7 **Shipment:** Generally conveyors 3–10' are shipped fully assembled, pre-wired, tested, and ready to run (legs must be attached). Conveyors 11' and over are shipped partially assembled to minimize shipping damage. Some frame and belt assembly is required; drive packages and system panels are pre-assembled and tested. For your convenience, arrangements can be made for longer conveyors to be shipped assembled.
- 8 **Leg Sets:** Adjustable leg sets and locking swivel castors are included as standard on all Signature Line conveyors. Belt height must be specified.



## Signature Line RM Steel Frame | Flat Belt

**Standard belt widths: 6"–96" at 6" increments**

**Standard lengths: 3–50' at 1' increments**

\*Consult your EMI representative for other widths and lengths

These strong conveyors have a multitude of uses: under press, along side the press, trunk line systems, overhead and assembly station conveyors, etc. Standard units are rated for a 150 lb. maximum load capacity, but higher capacities are available when needed. Selection of belt speeds are available. Drive horsepower will depend on selected speed and conveyor length, see page 170. Modular construction allows field changes of lengths.



*Click for 360° View!*

### Features

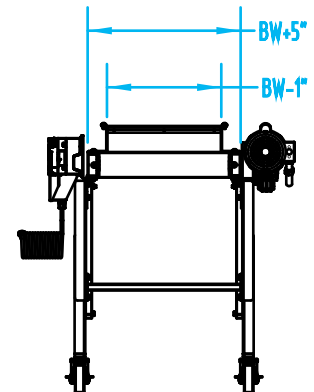
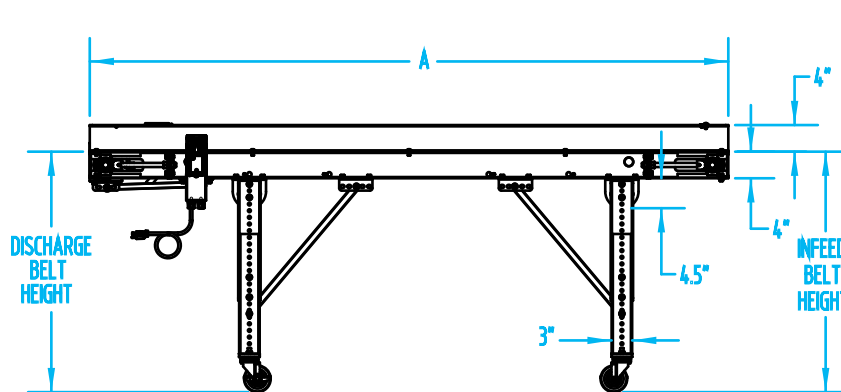
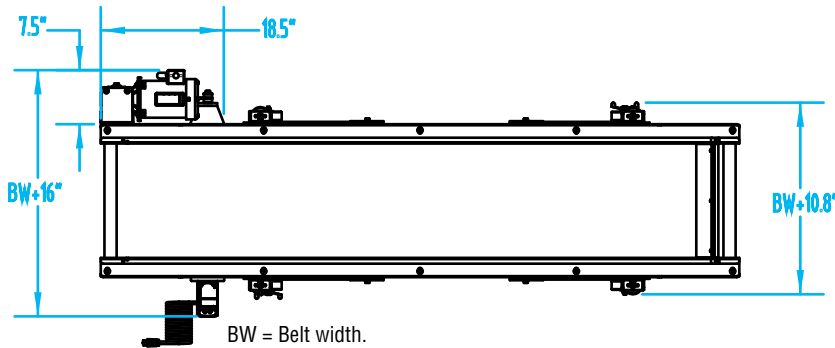
- Direct Drive configuration with 1/3 hp AC motor.
- 4–40 FPM variable speed drive.
- 150 lb maximum load.
- No roller chain or sprockets.
- Sealed gear reducer.
- 12-gauge steel construction.
- Double V-guided, 3'–30' lengths, FDA approved, white PVC belt.
- Leg sets and swivel castors included.
- 4" tall side rails, lapped over conveyor belt.
- 15' power cord included. Pre-wired ready to run (except polyphase systems which require some customer wiring).
- Control wiring contained in liquid-tight conduit and connectors.
- Units up to 10' length ship fully assembled.
- 3-Year Limited Warranty, see page 3.



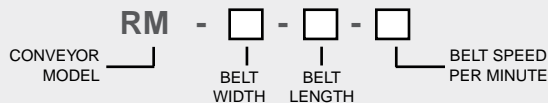
Shown with optional CLR leg set.



Click for 360° View!



### How to Order:



Specify the conveyor Infeed and Discharge Belt Height.  
 For more lengths, see RMTL on page 74.  
 Download Conveyor Specifications Form [here](#).

### Common Options

- Alternate fixed and variable belt speeds available.
- Alternate voltage electrics.
- Side rail extensions.
- Reversing, for process control.
- Soft drop zone, to cushion part drop.
- Side belt guards for part containment.
- Alternate motor locations, see page 177.
- Numerous belt options, see page 106.
- Robotic and box-fill controls.



## Signature Line RMC Steel Frame | Inclined, Cleated Belt

**Standard belt widths: 6", 9", 12"–72" in 6" increments**

**Standard lengths: 3–30' at 1' increments**

\*Consult your EMI representative for other widths and lengths

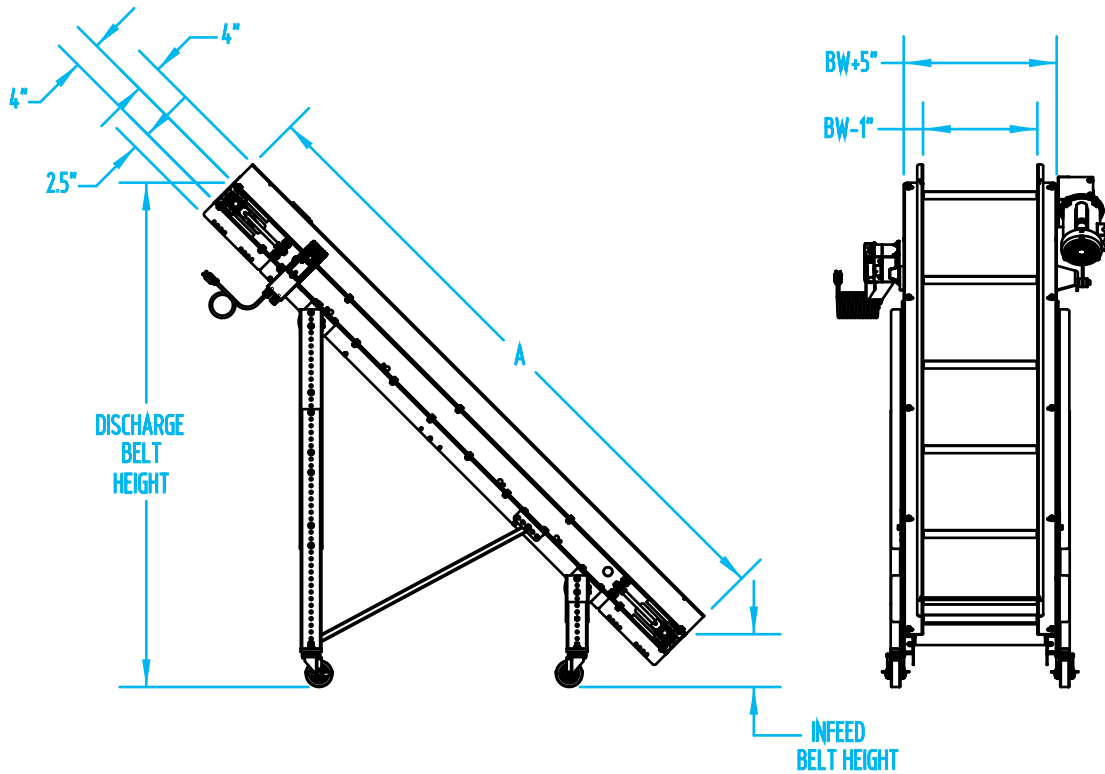
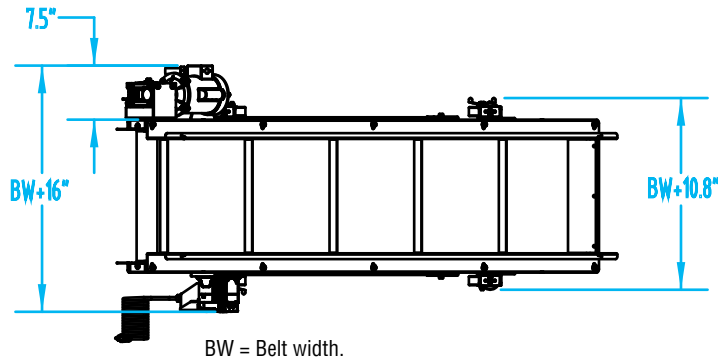
These strong, inclined conveyors move finished parts up to work stations or transfer them to, or from, flat belt conveyors for assembly or packing/shipping. Optional accumulation hoppers can be added. A selection of leg stands are available to provide desired conveyor angles.



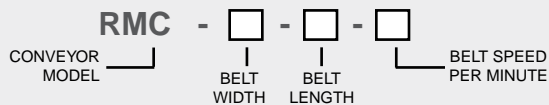
*Click for 360° View!*

### Features

- Direct Drive configuration with 1/3 hp AC motor.
- 4–40 FPM variable speed drive.
- 150 lb maximum load.
- No roller chain or sprockets.
- Sealed gear reducer.
- 12-gauge steel construction.
- Double V-guided, 3'–30' lengths, FDA approved, white PVC belt with 1½" tall flexible cleats on 18" centers.
- Leg sets and swivel castors included.
- 4" tall side rails, lapped over conveyor belt.
- 15' power cord included. Pre-wired, ready to run (except polyphase systems which require some customer wiring)
- Control wiring contained in liquid-tight conduit and connectors.
- Units up to 10' length are shipped fully assembled.
- 3-Year Limited Warranty, see page 3.



**How to Order:**



Specify the conveyor Infeed and Discharge Belt Height.  
 Download Conveyor Specifications Form [here](#).

**Common Options**

- Alternate fixed and variable belt speeds available.
- Alternate voltage electrics.
- Robotic and box fill controls.
- Alternate motor mounts, see page 177.
- Side belt guards for part containment.
- Nose overs.
- Numerous belt options, see page 106.
- Polycarbonate or deletion of bottom plate.
- Over-current sensing control for grinder feeding.
- Infeed hoppers, see page 173 for sizes and dimensions.
- Discharge chute.

## Signature Line Kurv-King KKI Steel Frame | Adjustable Angle

**Standard belt widths: 6", 9", 12", 18", 24", 30"**

**Standard lengths: 5–15' at 1' increments**

\*Consult your EMI representative for other widths and lengths

The adjustable angle (from 20°–45°) Kurv-King is built for under or along side press or for feeding trunkline conveyors and work station turntables. A horizontal to inclined transition eliminates pinch points and assures a smooth part transfer. Adjustments to the discharge section angle, can be made quickly and easily. Units with 4' to 6' discharge sections adjust from 20° to 45°.



*Click for 360° View!*

### Features

- Adjusts from 20°–45°.
- Direct Drive configuration with 1/3 hp AC motor.
- 4–40 FPM variable speed drive.
- No roller chain or sprockets.
- Sealed gear reducer.
- 12-gauge steel construction.
- 50 lb. maximum load.
- Double V-guided, FDA approved, white PVC belt with 1½" tall flexible cleats on 18" centers.
- 4" tall side rails lapped over the conveyor belt with polycarbonate infeed flapper.
- Bottom slide tray protects cleats.
- Leg sets and swivel castors included.
- 15' power cord included. Pre-wired, ready to run (except on polyphase systems which require customer wiring).
- Control wiring contained in liquid-tight conduit and connectors.
- Units ship fully assembled.
- 3-Year Limited Warranty, see page 3.

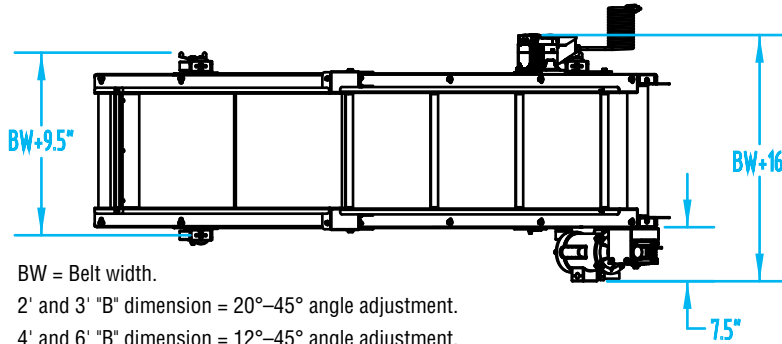




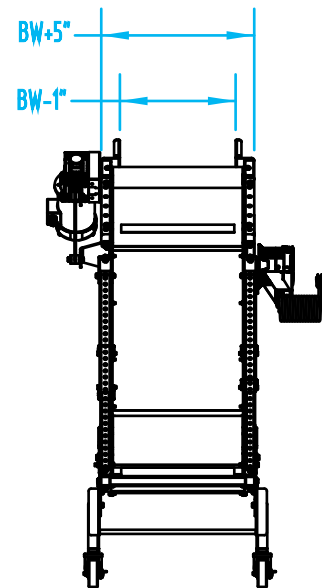
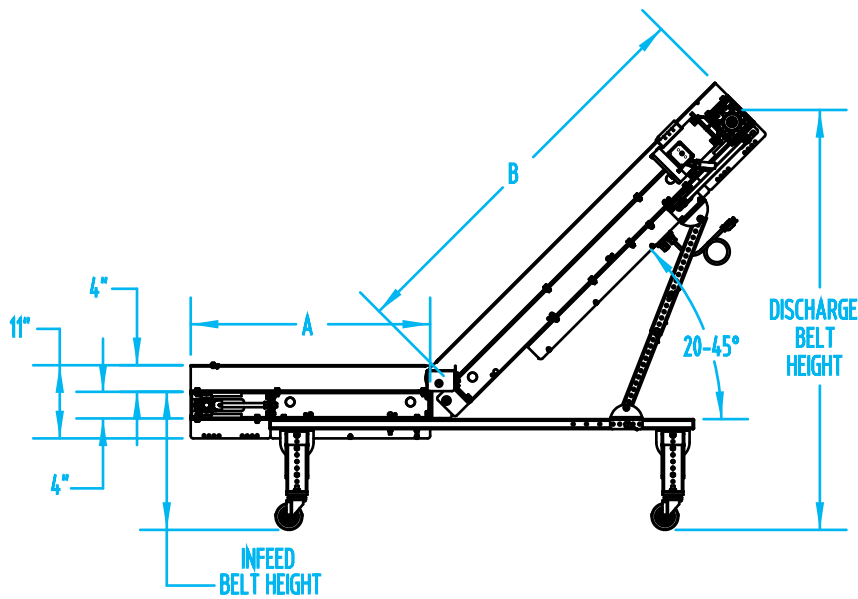
How-to Video:  
Adjust the Height



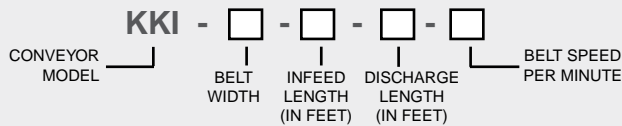
How-to Video:  
Replace the Belt



BW = Belt width.  
2' and 3' "B" dimension = 20°–45° angle adjustment.  
4' and 6' "B" dimension = 12°–45° angle adjustment.



**How to Order:**



For 6", 9", 12", and 18" belt width models, the motor is located at the discharge. For 24" and 30" wide models, the motor is located at the infeed. The "A" dimension infeed length minimum is 2'. The "B" dimension incline length minimum is 2'. Contact EMI if A + B exceeds 15'.

Download Conveyor Specifications Form [here](#).

**Common Options**

- Infeed hoppers.
- Side belt guards or corrugated sidewall belt.
- Alternate fixed and variable belt speeds available.
- Soft drop zone.
- Part-runner separators.
- Alternate voltage electrics.
- Numerous belt options, see page 106.
- Infeed side rail extensions or higher rails for part containment.



## Signature Line Kurv-King KK Steel Frame | One-Piece, Fixed Angle

**Standard belt widths: 6", 9", 12", 18", 24", 30"**

**Standard Combined lengths: to 15' at 1' increments**

\*Consult your EMI representative for other widths and lengths

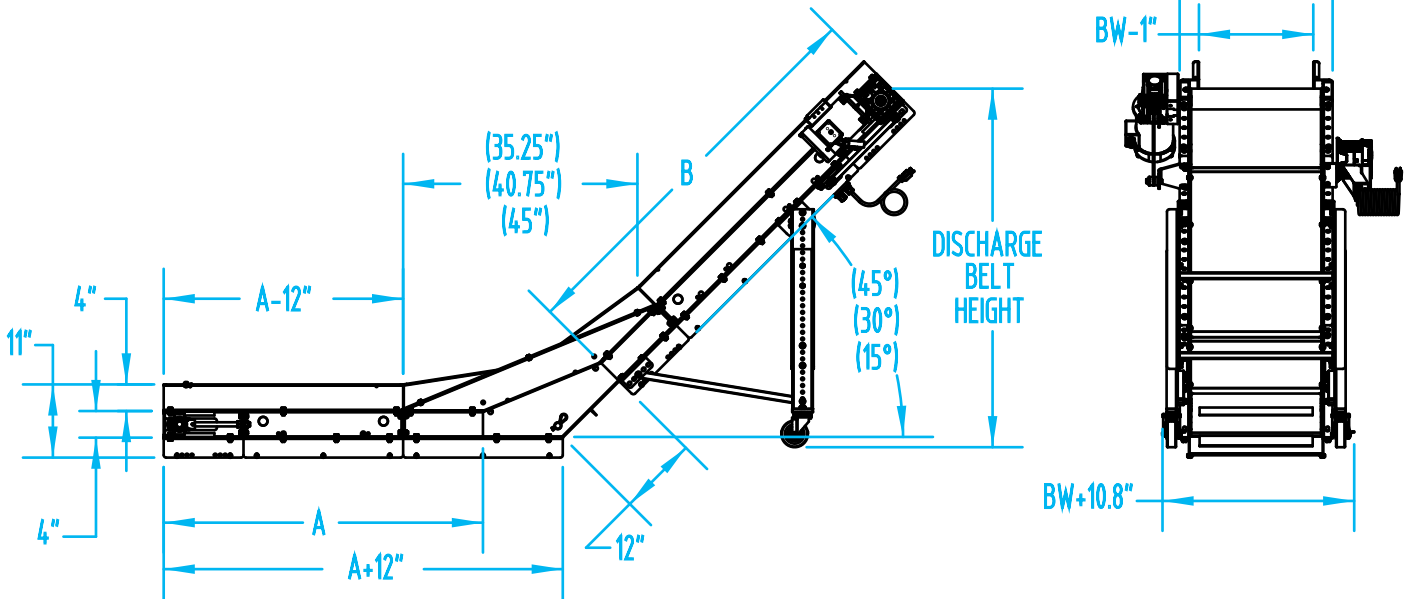
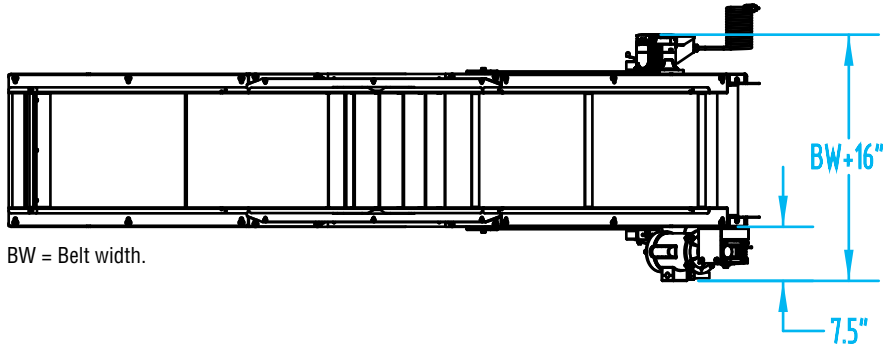
Versatile, fixed angle conveyors which are ideal for under press or along side press, or for feeding trunkline conveyors and turntable work stations. Exclusive horizontal to incline transition eliminates pinch points and assures smooth part transfer.



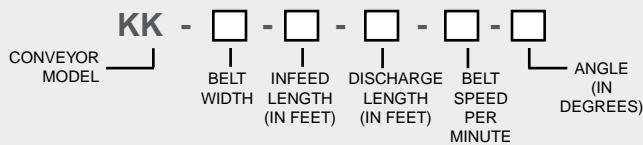
*Click for 360° View!*

### Features

- Available with 15°, 30° or 45° discharge angle.
- Direct Drive configuration with 1/3 hp AC motor.
- 4–40 FPM variable speed drive.
- No roller chain or sprockets.
- Sealed gear reducer.
- 12-gauge steel construction.
- 50 lb. maximum load.
- Double V-guided, FDA approved, white PVC belt with 1½" tall flexible cleats on 18" centers.
- 4" tall side rails lapped over the conveyor belt with polycarbonate infeed flapper.
- Bottom slide tray protects cleats.
- 15' power cord included. Pre-wired, ready to run (except on polyphase systems which require customer wiring).
- Control wiring contained in liquid-tight conduit and connectors.
- Units ship fully assembled.
- Leg set with two 4" castors on discharge end included.
- 3-Year Limited Warranty, see page 3.



**How to Order:**



For 6", 9", 12", and 18" belt width models, the motor is located at the discharge. For 24" and 30" wide models, the motor is located at the infeed. The "A" dimension infeed length minimum is 2'. The "B" dimension incline length minimum is 2'. Contact EMI if A + B exceeds 15'.

Download Conveyor Specifications Form [here](#).

**Common Options**

- Infeed leg with castors for portability.
- Side belt guards or corrugated sidewall belt.
- Alternate fixed and variable belt speeds available.
- Part-runner separators.
- Infeed side rail extensions or higher rails for part containment.
- Alternate voltage electrics.
- Numerous belt options, see page 106.

## Signature Line RMTL | Flat Belt Trunkline

**Standard belt widths: 12"–96" at 6" increments**

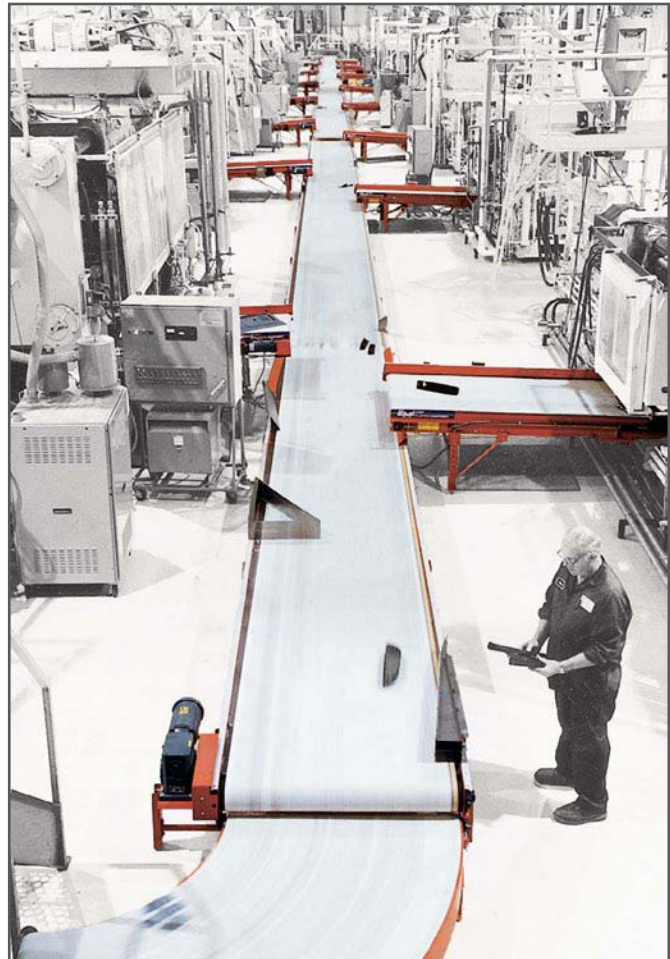
**Standard lengths: 51–250' at 1' increments**

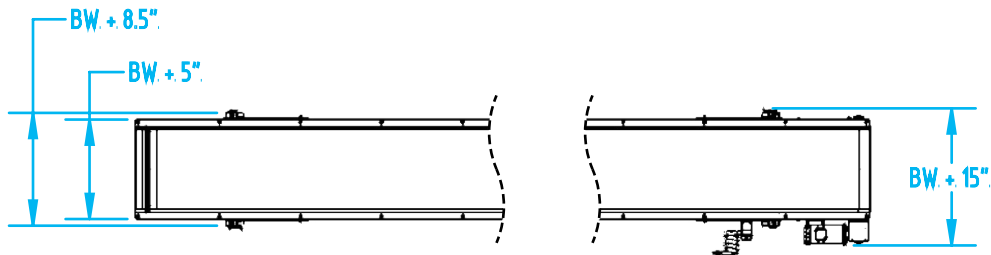
\*Consult your EMI representative for other widths and lengths

EMI Trunkline Conveyors incorporate rugged cross-bracing and sturdy construction for long distance runs. The end-mounted drives assure reliable belt tracking. Conveyors 51' through 180' long incorporate a 6" diameter drive pulley mounted in a 7" thick frame section and can carry up to 250 lbs. Conveyors 181' through 250' long have an 8" diameter drive pulley mounted in a 9" thick frame section and can carry up to 300 lbs. These heavier drive sections allow the rest of the conveyor frame to be only 4" thick. Higher load capacity drives are available.

### Features

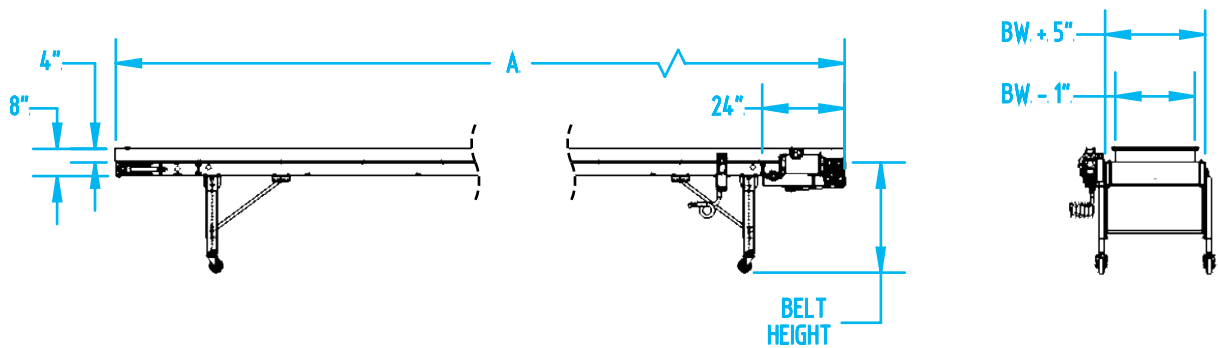
- Direct Drive configuration with 1/2 hp AC motor.
- 4–40 FPM variable speed drive.
- No roller chain or sprockets.
- Sealed gear reducer.
- 12-gauge steel construction.
- FDA approved, white PVC belt.
- End-mounted drive ensures reliable belt tracking.
- 4" tall side rails, lapped over conveyor belt.
- 15' power cord included. Pre-wired, ready to run (except polyphase systems which require some customer wiring).
- Control wiring in liquid-tight conduit and connectors.
- 3-Year Limited Warranty, see page 3.



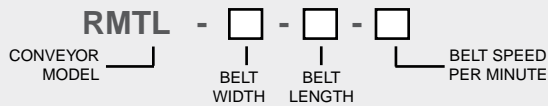


BW = Belt width.

NOTE: The thickness of frame section is 7" for 51' through 180' long conveyors, 9" for 181' through 250' long conveyors.



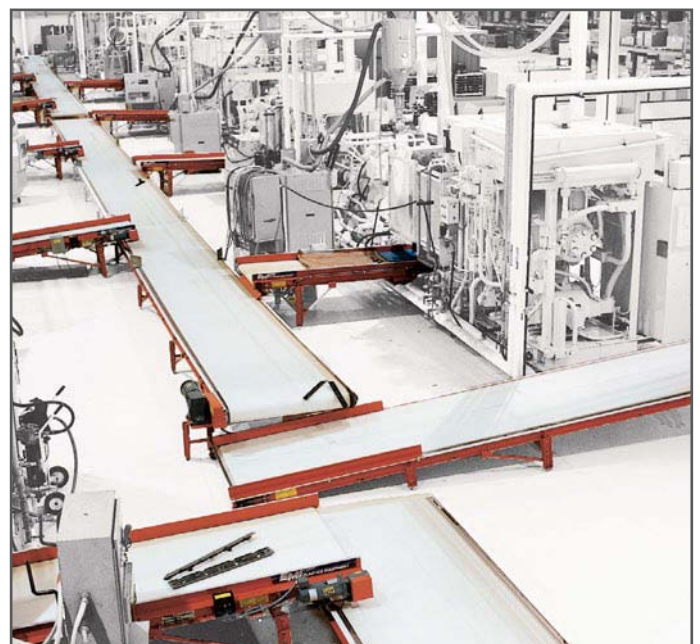
### How to Order:



Specify the conveyor Infeed Belt Height and Motor Starter Location. Standard Belt Speeds are 40 FPM & 80 FPM. Horsepower charts are on page 170. Download Conveyor Specifications Form [here](#).

### Common Options

- Alternate fixed and variable belt speeds available
- Alternate voltage electrics
- Many more available





# RMSC Steel Frame | Inclined, Adjustable Angle, Scoop Cleated Belt Conveyor

**Standard belt widths: 12", 18", 24"**

**Standard lengths: 7' to 16' at 1' increments**

\*Consult your EMI representative for other widths and lengths

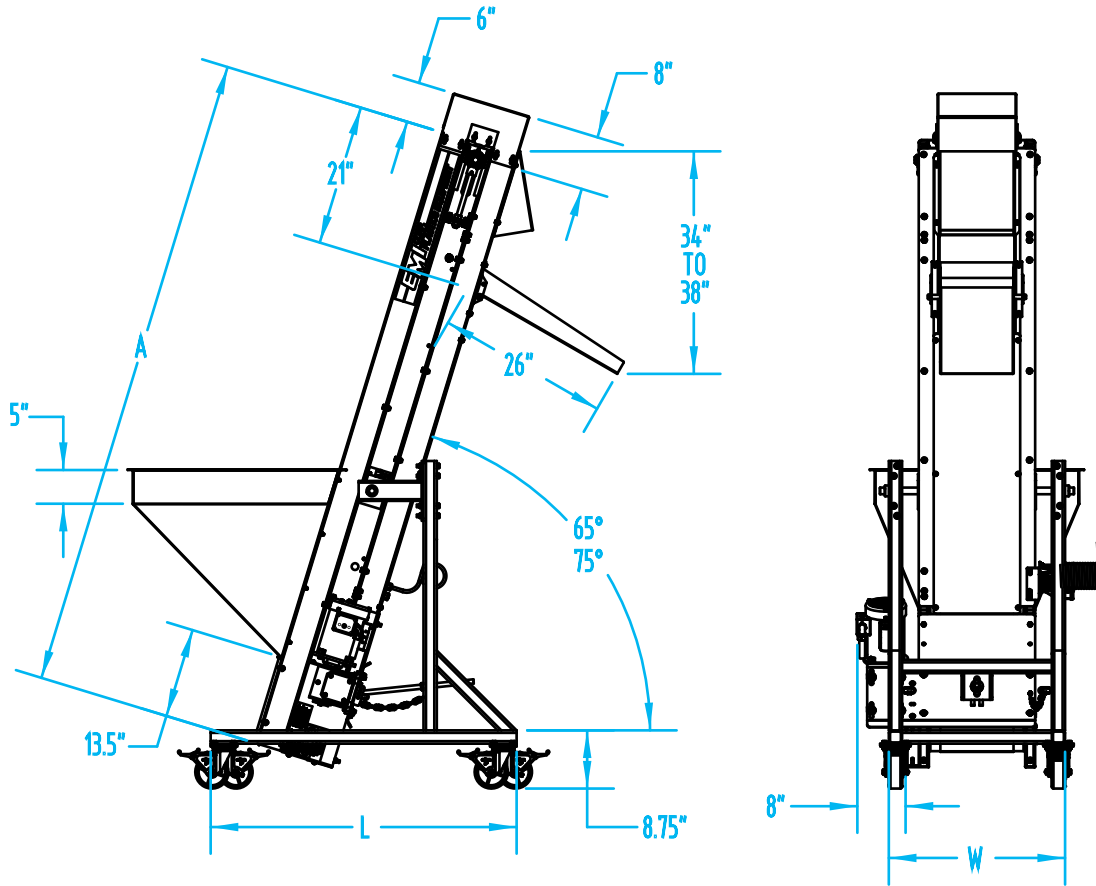
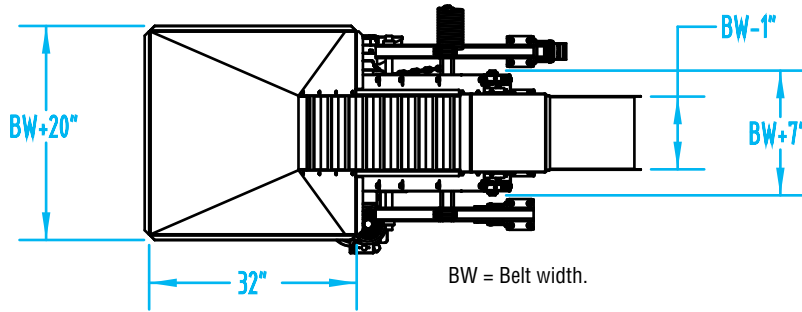
This specialty conveyor uses extra-deep scoop cleats and a cleat trap to lift small- to medium-sized parts at angles up to 75° at any of three belt speeds. Included is a stainless steel accumulation hopper, a stainless steel discharge shroud and chute and castored stand sized to the conveyor length for mobility and sturdiness. Ideal for conveying parts to secondary equipment such as cap lining or assembly machines. To assure proper design, send sample parts and runners to EMI for evaluation.

## Features

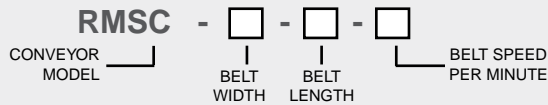
- Direct Drive configuration with 1/3 hp AC motor.
- 4–40 FPM variable speed drive.
- Sealed gear reducer.
- 12-gauge steel construction.
- Double V-guided, FDA approved, white Nitrile belt with 2½" tall bonded flexible cleats on 9" centers.
- 4" tall side rails, lapped over conveyor belt.
- Adjustable angle (65°–75°), portable stand on locking castors included, as illustrated.
- Stainless steel accumulation hopper, discharge shroud and chute included.
- 15' power cord included. Pre-wired, ready to run (except polyphase systems which require some customer wiring).
- Control wiring contained in liquid-tight conduit and connectors.
- Units up to 10' length ship fully assembled.
- 3-Year Limited Warranty, see page 3.



*Click for 360° View!*



**How to Order:**



Specify the conveyor Discharge Belt Height.  
Download Conveyor Specifications Form here.

Standard Hopper Size	
12" Belt Width	7½" cu. ft.
18" Belt Width	8½" cu. ft.
24" Belt Width	9¼" cu. ft.

W dimension is belt width +14.5" on 10' and shorter conveyors.  
W dimension is 48" on 11' and longer conveyors.  
L dimension is 42" min. & 54" max. for 7' thru 10' conveyors.  
L dimension is 61" min. for 11' thru 16' conveyors.

**Common Options**

- Alternate voltage electrics.
- Special hoppers.
- Start/Stop controls.

# Cobot Ready Conveyors

EMI has developed a conveyor package to easily integrate with your Collaborative Robot.

Our Internal drive EA conveyors are Certified by Universal Robots. With EMI's URCap development, any Universal Robot can easily control the conveyor's speed and direction.

Set-up is easy, simply connect the included Ethernet cable to your UR Robot's control panel and install the URCap.

Find our Cobot Stands on page 86.



## Features

- EMI URCap allows for easy programming and use when integrated with your UR.
- Two photo-eyes (1 at infeed and 1 at discharge ends of the conveyor).
- Variable Speed, Internal Motor Drive Package (EA-ID Package) or External Drive. (See below)
- Compact touch screen speed control allows for independent control, if necessary.
- 4" x 90° 12ga. Steel powder coated side rails with multiple photo eye mounting positions.
- Adjustable leg sets with 4" swivel, locking castors.

## Choose Either Internal or External Drive:

### Internal Drive Package: (EA Model Conveyors Only)

- MODBUS communication via Ethernet (EA-PLC-UR Electrical Package).
- Single V-guide polyurethane belting.
- Power: 110V/ 5amp
- Maximum load: 50lbs
- Maximum belt speed: 70ft per minute\*
- Belt widths: 4"-60" at 2" increments
- Belt lengths: starting at 4ft

\*Belt speed may vary based on overall length and width

### External Drive Package:

- Steel or aluminum frame.
- MODBUS communication via Ethernet (T-99 Electrical Package).
- Power: 110V/ 5 amp
- Maximum load: varies by conveyor model.
- Belt widths: varies by conveyor model.
- Belt lengths: starting at 4ft.
- Speed: 20, 40, or 80 feet per minute.
- Variable frequency drive as compared to EA-ID.



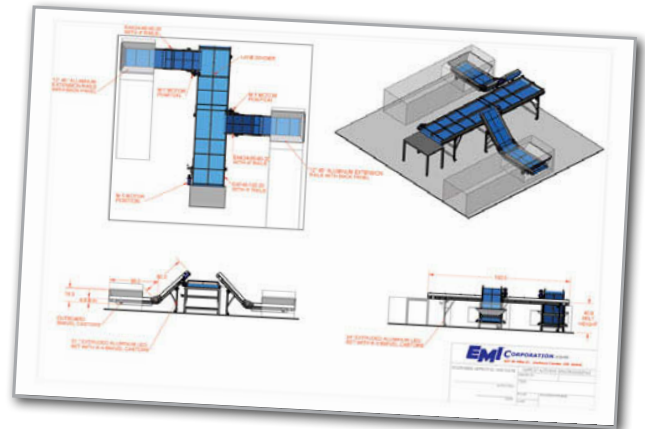


# Cobot Ready Conveyors



With over 50 years experience providing quality, custom automation solutions, our customer service representatives will work with you to identify how you are using the conveyor before we start building. Because of this, all conveyors are made per order, and every effort will be made to streamline this process to meet your time line.

3D CAD drawings with quotes provide a visual of your conveyor and peripheral equipment. Revisions are made until you approve of the design. EMI personnel are available for plant visits for the run off, and to make any final adjustments.



To request more information, call 216-535-4848 or email [Sales@emicorp.com](mailto:Sales@emicorp.com)

EMI's Heavy duty conveyors are made from 12 gauge steel and have a 150lb payload capacity.

Standard with a 1/3 hp AC motor and direct drive with chain drive as an option.

White PVC standard belt is FDA approved. This non-marking, anti-static belt has a contact temperature range of 5°-210°F.



# Cobot Ready Conveyors

## Cobot Ready Conveyor Pricing

	Extruded Aluminum	Extruded Aluminum	Trim Line	Merit Line	Clean Room	Signature Line
<b>Electrical Package</b>	Internal Drive with EA-PLC-UR Package		External Drive with T-99 Cobot Controller Package			
<b>Price for standard Cobot Ready Flat Belt Conveyor (18" wide by 10' long)</b>	EAF-18-10-20 \$5,577	EAF-18-10-20 \$5,007	STL / ATL-18-10-20 \$4,809	ADF-18-10-20 \$5,345 DDF-18-10-20 \$5,555	ACRF-18-10-20 \$5,631	RM-18-10-20 \$5,835

EMI conveyors are guaranteed for 3 years. See EMI website for more information.

*\*Pricing effective : 08/01/2022*





# Cobot Ready Conveyors

Everything but the cobot!

Our Conveyor - Your Cobot - Our Cobot Stand - Our End Effector

EMI's Cobot Ready Conveyors are designed to be integrated with your Collaborative Robot to provide continuous part transfer and are ideal for pick and place, machine tending, and packaging applications.

 [Click here to learn more!](#)

 [Click here to download the Cobot Ready Conveyor Order Form](#)



# Cobot Ready Conveyors

## URCap Features:

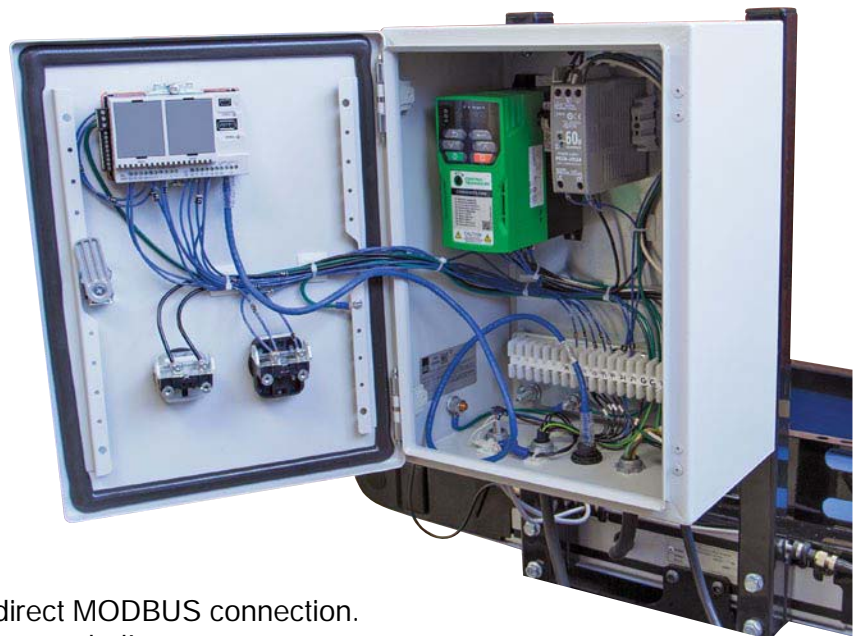
- MODBUS communication via Ethernet cable
- Simple UR pendant interface
- Variable speed control
- Directional control
- Detect workpiece presence
- User Manual
- Using another Cobot? Contact us!



## Electrical Features:

If you're considering automating your process with a conveyor indexing program, EMI's control packages, combined with an EMI conveyor, can provide a wide range of automation benefits.

Implementing a box packing, stacking, or indexing system can increase productivity and decrease down-time.



EMI's Cobot Ready Conveyors include a direct MODBUS connection. This makes it truly plug and play - no wiring needed!



• MODBUS communication via Ethernet (EA-PLC-UR Electrical Package shown)



• Touch screen display



• Digital and Ethernet connections for internal and external drive.



# Cobot Ready Conveyors

## Suitable Applications:

- Machine tending
- Injection molding
- Material handling
- Pick and place
- Box filling

Easily automate tasks to increase productivity!

Whether you are automating your process using multiple cobot assisted conveyors or multiple collaborative robots, EMI can help develop an ideal solution.



Click for a 360° View!



Click for a 360° View!

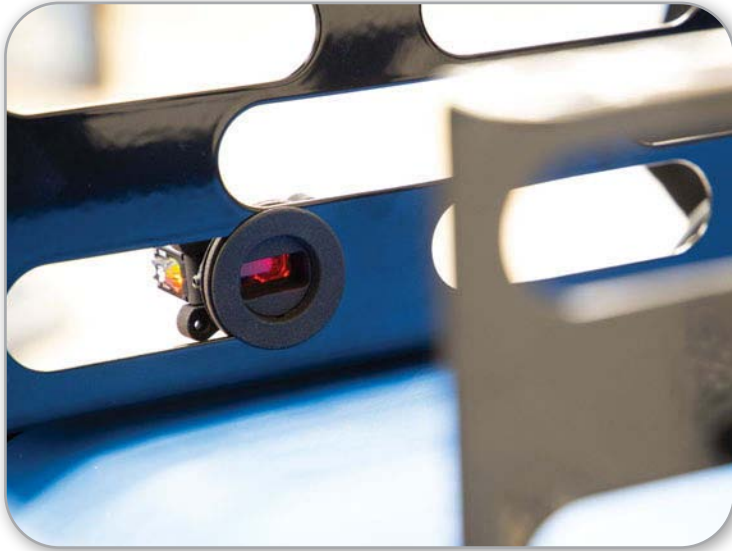


Click for a 360° View!

## Cobot Ready Conveyors

### Object Detection Features:

- Adjustable photo eye placement within the side rails.
- We offer many types of photo eyes for different applications depending on the size and color of the part you are detecting.





# Cobot Ready Conveyor Specifications Form

[Click here to download the Cobot Ready Conveyor Order Form](#)

## Application Information

Manufacturer of cobot: \_\_\_\_\_

What are you conveying? \_\_\_\_\_

Part dimensions (L x W x H) \_\_\_\_\_

How many parts: \_\_\_\_\_

How often: \_\_\_\_\_

Part temperature: \_\_\_\_\_

Weight (of part): \_\_\_\_\_

How are parts being placed on cobot conveyor?  
     (What is the height?) \_\_\_\_\_

What are you conveying to?  
     (What is the height?) \_\_\_\_\_

How are the parts being removed from the cobot conveyor? \_\_\_\_\_

## Conveyor Information

Model: \_\_\_\_\_

Belt width: \_\_\_\_\_

Length: \_\_\_\_\_

Belt height (from floor): \_\_\_\_\_

Drive:   Internal   External (recommended for over 50lbs weight)

Castors:   Swivel   Rigid   Low profile

Optional:   Floor mounting brackets   Leveling bolts (if castors are not selected)

Side rails:   Aluminum (standard)   Painted steel   Stainless steel

Side rail height:   2"   4"(standard)   8"   12"

Side rail angle:   90 degree (standard)   60 degree   45 degree

## Electrical Information

Communication type:   Ethernet/MODBUS (standard if using UR)   Direct I/O

Photo-eyes:   Two photo-eyes (standard location is at the infeed end & discharge end of conveyor)

    Other location, please specify: \_\_\_\_\_

Company Name: \_\_\_\_\_ Contact: \_\_\_\_\_

Address: \_\_\_\_\_ City: \_\_\_\_\_ State: \_\_\_\_\_ Zip: \_\_\_\_\_

Phone: \_\_\_\_\_ Email: \_\_\_\_\_

## Industrial Cobot Stands

EMI's Cobot Pedestals extend the reach of a cobot arm. These heavy-duty robot stands are perfect to an industrial environment where redeployment and adjustability may be required.

Cobot Stands are partially assembled and ship based on customer configuration and shipping instructions. Usually within 1-2 days. Custom height options and configurations are available upon request.

Cable management brackets are included with all stands. EMI engineered cobot stand accessories for many of the most popular cobots make setup a breeze!



### Models Available

- **Adjustable Height Stand:** Manually adjusted aluminum profile riser is available with overall height options from 23.7" to 58.8".
  - **Electrically-Driven Riser Stand:** Aluminum profile riser is available with overall height options from 27" to 64". (shown to the right, this is not a 7th axis)
  - **Fixed Height Stand:** 7ga. Steel riser with 30", 36", 42" and 48" height options.
  - **Heavy-Duty Fixed Height Stand:** Aluminum riser with a 31" overall height.
- View our online product pages for pricing!
  - In-Stock standard sizes for quick delivery.
  - Can be fixed directly to the floor using (4x) ½" floor anchors (not supplied) or integrate onto our mobile base. (Mobile base not available for the heavy-duty stand)

Mounting pattern compatible with:



UR Universal Robots, Doosan, TM Techman Robot and Fanuc are trademarks of their respective owners.

For a detailed list of mounting compatibility visit us online.







# Industrial Cobot Stands



[Click Here for Pricing!](#)

### Adaptable Base Design

A grid of threaded M8 holes, spaced every 40mm allows the fixed and adjustable height risers to be placed anywhere on the mobile base.

### Cobot Mounting Plates

Robust and versatile, EMI cobot mounting plates come ready for UR, Doosan, Techman and Fanuc CRX-10iA and 10iA/L.

Contact us with the make and model of your cobot!

### Combine with EMI's Cobot Ready Conveyors

EMI's Cobot Ready Conveyors provide continuous part transfer and are ideal for pick and place, machine tending, and packaging applications. Whether you are automating your process using multiple cobot assisted conveyors or multiple cobots, EMI can help develop an ideal solution.

### Reliable Manufacturing, Made in USA

Our production facility in Jackson Center, Ohio can design and build custom industrial equipment for cobots. If you need a custom stand, we have a form you can submit to: [Cobots@emicorp.com](mailto:Cobots@emicorp.com).



Dual handles on each side of the adjustable height stand for easy adjustments.



Locking casters and leveling pads (mobile base units only).



Controller for the Electrically-driven stand with 4 user-defined height positions.

# Industrial Cobot Stands

Combine a cobot stand with your cobot conveyor!



EMI offers a complete line of cobot gripper and vacuum end effectors

Cable management options

Heavy-duty handles enable single person adjustment

Adjustable tilt pendant hanger

Cable management with pass-through for tubing included with stands

Mounting plates for all cobots available

Control box mount

Stand can be placed anywhere on base

Castors and leveling pads come included

# Industrial Cobot Stand Accessories

*\* not included with base.*

## \*Adjustable Tilt Pendant / Controller Hangers



Quick Order # 8941 For UR



Quick Order # 8944 For Doosan



Quick Order # 8946 For Fanuc CRX

## \*Control Box Hangers and Mounts



Quick Order # 8940 For UR



Quick Order # 8943 For Doosan and Fanuc CRX



Quick Order # 8945 For Techman Control Box Mount swivels for ease of access.

## Cable Management / DIN Rail Mounting Bracket



Quick Order # 8942 Cable Management (2x included with Stands)



Quick Order # 8947 X-Large Cable Management (2x included with the Heavy-Duty Stand)

Check online for new accessories!



Click to view our Cobot Stand video!

## Robot Interface Options

### Compact PLC Indexing Control System:

EMI's Compact PLC Indexing Control is a 110/60/1, NEMA 1 electrical control system designed to index a conveyor when a signal is given by the robot. The customer must wire from the robot into the EMI control enclosure a set of contacts to signal whenever the conveyor is required to move.

- Compact NEMA 1 enclosure with LCD display and soft touch function keys for user setup.
- Eliminates large enclosures normally associated with many indexing packages.
- Ideal for robot indexing, box filling, and process control tie-in applications.
- Indexing, reversing, and 6-70FPM variable speed functions.
- Continuous run mode.
- Accepts momentary or maintained signals for indexing and reversing.
- Easily adjustable digital timers.
- English and Spanish language.
- Compact PLC Indexing Control Systems are available on our other conveyor models. Contact EMI for pricing.



*Compact PLC Indexing Controller*



# Robot Interface Options

## Custom Robot Arm Enclosures

Protecting workers and equipment is easy:

- Enclosures can be tubular steel or extruded aluminum construction.
- Enclosures can have polycarbonate, wire mesh, or coated wire covering and equipped with an electrical interlock switch.



Additional enclosure examples on page 130.

## Collaborative Robot Integration



## Automation Cell Loading



## Robot Interface Options

### T-100 Controller Package

EMI's Custom engineering to enables our conveyors to interface with various post-mold robotic functions like assembly and packaging. This allows us to further automate labor intensive processes. Robotic automation conveyors eliminate the possibility of human error in certain operations that require great precision or high speed repetition of motion.

AC drives and brushless motors help protect belts and other mechanical equipment by offering smooth and accurate control of the motor speed and torque, prolonging conveyor life while lowering operational and maintenance costs. All conveyors leave the factory pre-programmed.

#### Features:

- Easily adjust your standard AC Variable speed drive.
- Enable manual reverse.
- Can be added to any EMI conveyor with an external drive.



[Watch How-to Video](#)

### T-99 Controller Package

This is our most popular indexing option. An economical choice with less downtime than other indexing / reversing options. Available on all model conveyors, 110/60/1, NEMA 1 electrical control system designed to index a conveyor when a signal is given by the robot. The customer must wire from the robot into the EMI control enclosure a set of contacts to signal whenever the conveyor is required to move.

#### Features:

- Ideal for robot indexing, box filling, and process control tie-in applications.
- Indexing, reversing, and 20–80FPM depending on what is selected for FPM.
- Continuous run mode.
- Accepts momentary or maintained signals for indexing and reversing.
- Easily adjustable digital timers.
- Upgrade to a 230/60/3 AC motor and 15' customer interface cord included.
- Smaller footprint on conveyor with no extra enclosures or excessive hardware as needed with other reversing options.
- The drive and motor are the only electrical components so there are fewer electrical components to stock or replace.

Note: Programming includes the possibility to run in any sequence with indexing/reversing continuous run. "Maintained or Momentary" normally open dry contact or 24VDC signals are both accepted for indexing and reversing inputs. All timers shall be programmed via keypad function.



[Watch How-to Video](#)

## Robot Interface Options



# HOW-TO

## Conveyor Videos from EMI

Visit and subscribe to EMI's YouTube channel to watch the latest videos!



## Indexing Controls for Robotic Box Filling

### Automatic Box and Container Filling

EMI can design and manufacture custom systems to meet your box filling requirements. Choose a standalone station or conveyor mounted. EMI has the expertise to deliver a system to meet your requirements, reducing your labor costs by minimizing the amount of time and the number of people it takes to package your molded parts.



Click for a 360° View!



### Stand-alone Parts Shuttle

- These can be set up to work with almost any application, from large container filling to extremely accurate small part filling.
- Parts are fed onto gate diverter.
- A photo eye for the scrap box, and a custom chute with an additional set of photo eyes measures boxes.
- Polycarbonate guarding protects both people and parts.





## Indexing Controls for Robotic Box Filling

EMI's indexing controls make it easy to interface with your robot.

These can be set up to work with almost any application, from large container filling to extremely accurate small part filling.



Click for a 360° View!

# Roller Conveyors

## GR | Unpowered Gravity Roller Conveyor

**Standard roller widths: 6", 9", 12", 18", 24", 30", 36"**  
**Standard lengths: 3'-20'**

Cost-effective Gravity Rollers can be used for many different purposes including:

- As transfer sections between belt conveyors or live roller conveyors.
- For storing empty or filled containers.
- For transferring empty containers to workstations or full containers to shipping.

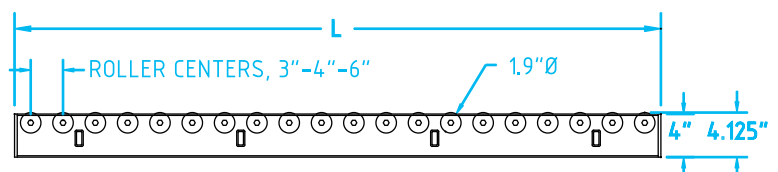
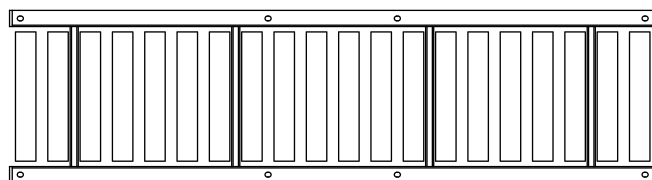
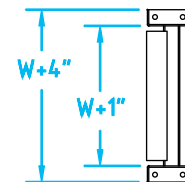
### Features

- Frame assembly: 12-gauge powder coated steel construction.
- Choose roller centers of 3", 4" and 6".
- 1.9" diameter, 16-gauge galvanized carrier rollers.



### Common Options

- Side rails: 1½" x 3" tall.
- 12-gauge steel leg sets and castors.
- Box stop.
- Bracket to attach to another conveyor.
- Contact us for more options.





Roller Conveyors

# LPGR | Low-Profile Unpowered Gravity Roller Conveyor

**Standard roller widths: 6", 9", 12", 18", 24", 30", 36"**  
**Standard lengths: 3'-20'**

The LPGR low-profile conveyor is a lightweight version of our GR Roller Conveyor. Featuring a 2.5" wide 12-gauge steel frame and 1.38" diameter rollers, the LPGR Model is sturdy enough for a wide range of plastics processing uses.

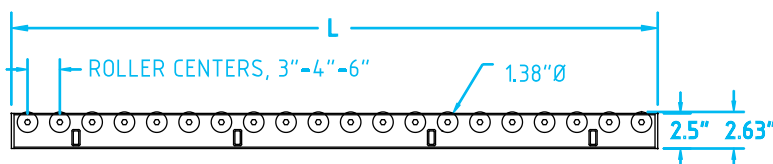
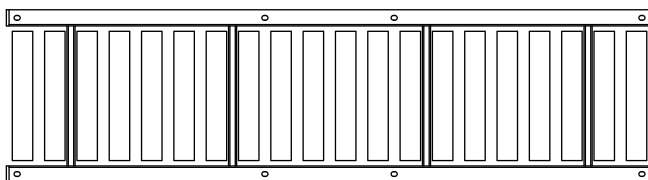
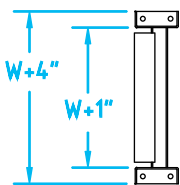


## Features

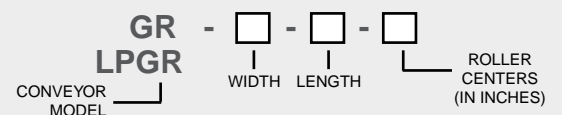
- Frame assembly: 12-gauge powder coated steel construction.
- Choose roller centers of 3", 4" and 6".
- 1.38" diameter, 16-gauge galvanized carrier rollers.

## Common Options

- Side rails: 1" x 3" tall.
- 12-gauge steel leg sets.
- Box stop
- Stainless steel construction.
- Call for more options.



## How to Order:



Choose roller centers: 3", 4" or 6"  
Download Conveyor Specifications Form [here](#).

## Roller Conveyors

# CDLR | Chain or Belt Driven Live Roller Conveyor

**Standard roller widths: 12", 18", 24", 30", 36", 42", 48"**

**Standard lengths: 3'–20'**

EMI "Live" **Chain Driven Roller Conveyors** provide a positive drive for handling heavier loads. Normally used to provide flow control of molded part containers. Ruggedly constructed of 12-gauge steel, these custom-engineered conveyors are available in many widths to fit the containers used in your molding operation.

While not quite as heavy-duty as the CDLR model conveyor, EMI's **Belt Driven Roller Conveyors** are sturdy enough to handle large totes and containers. By adjusting the tension rollers under the belt, the BDLR Conveyor can be adjusted to provide varying amounts of accumulation pressure.

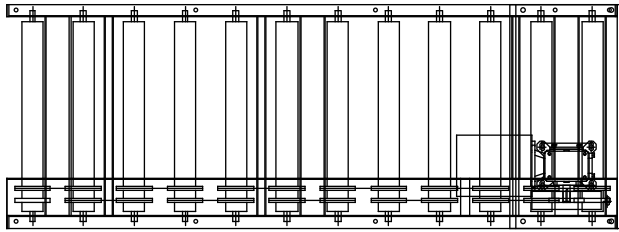
## Features

- 1/3 hp 110V AC motor. 110/60/1 C-faced drive package.
- Choose speed: 20, 30, or 40 FPM.
- 12-gauge steel construction.
- 1.9" or 2.5" diameter x 16-gauge galvanized steel rollers, 250 lb. roller capacity.
- 6" roller centers, contact us for alternate roller spacing.
- 15' power cord included. Pre-wired ready-to-run (except polyphase systems which require some customer wiring)
- 3-Year Limited Warranty.

## Common Options

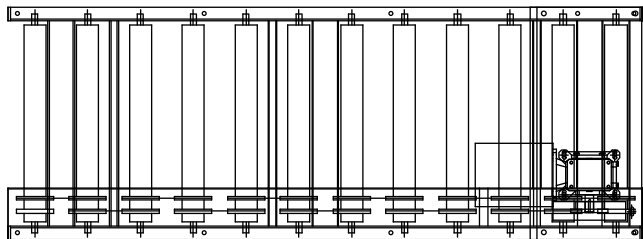
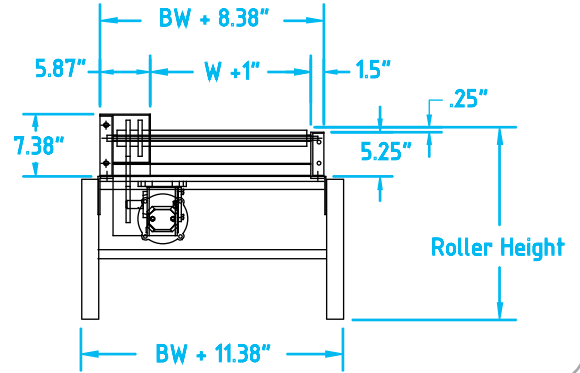
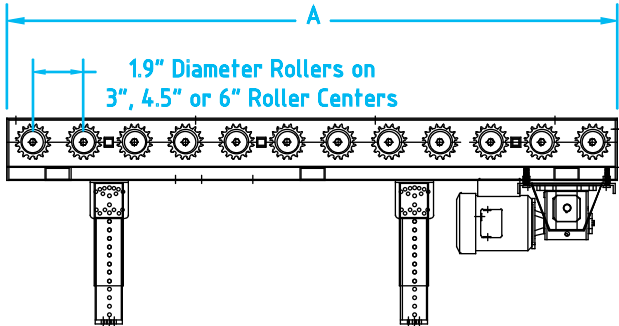
- Alternate motor locations, see page 177.
- "Pop-up" transfer stations.
- Box stops.
- Side rails.
- 230/60/1 or 220-440/60/3 electrics.





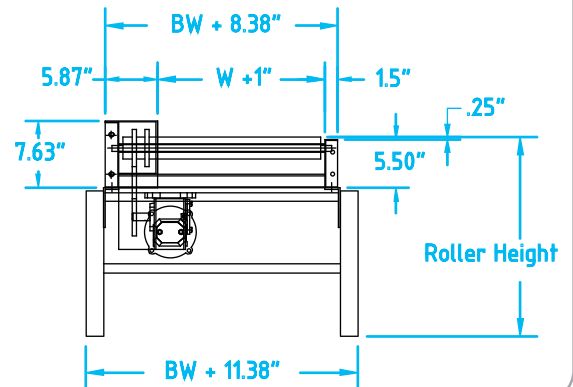
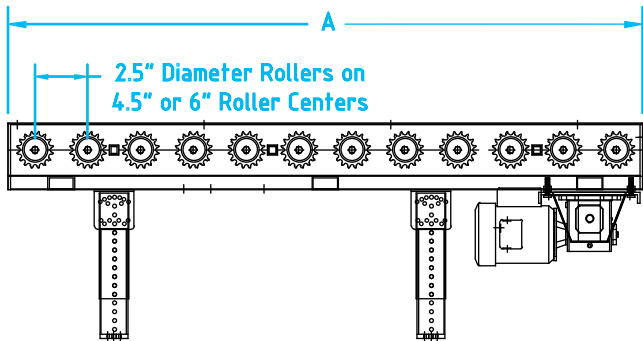
Model CDLR19 Chain Driven Live Roller 1.9" diameter roller centers.

BW = Belt width.

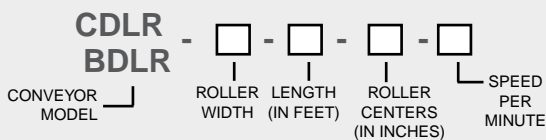


Model CDLR25 Chain Driven Live Roller 2.5" diameter roller centers.

BW = Belt width.



How to Order:



Download Conveyor Specifications Form [here](#).

Standard Speeds: 20, 30, or 40 FPM



## Roller Conveyors

# PRBC | Power Roller Banded Conveyor

**Standard roller widths: 14", 18", 24", 30", 36", 42", 48"**

**Standard lengths: 3'–20' at 1' increments**

EMI **Power Roller Banded Conveyors** provide a low cost option for transporting boxes and totes. PRBC conveyors have proven reliable, efficient and flexible in EMI's Over/Under systems and Weigh Scale conveyors. Increasingly, they are also useful in longer combinations, to allow greater load capacity than belt conveyors, while avoiding the higher costs of Chain Driven Live Roller conveyors. Separate driven sections are ideal for creating accumulation zones.

Contact EMI to discuss your requirements.



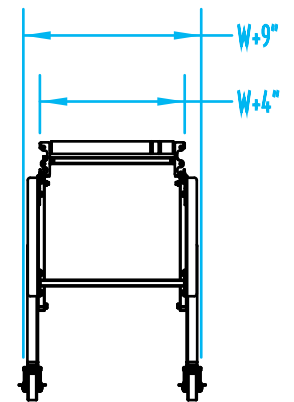
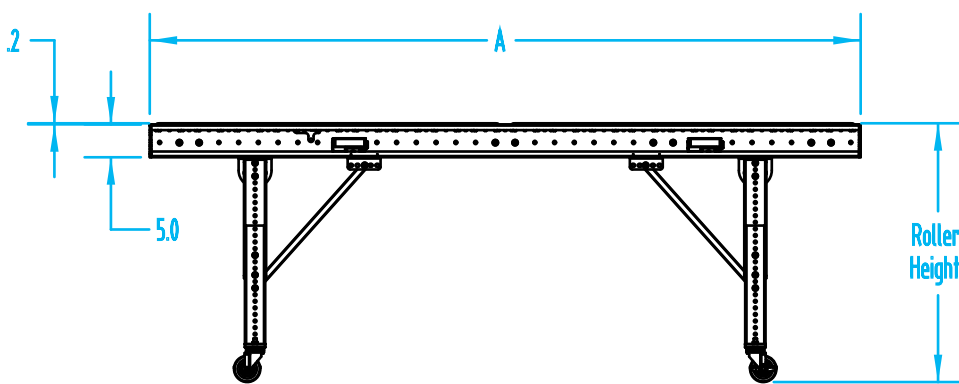
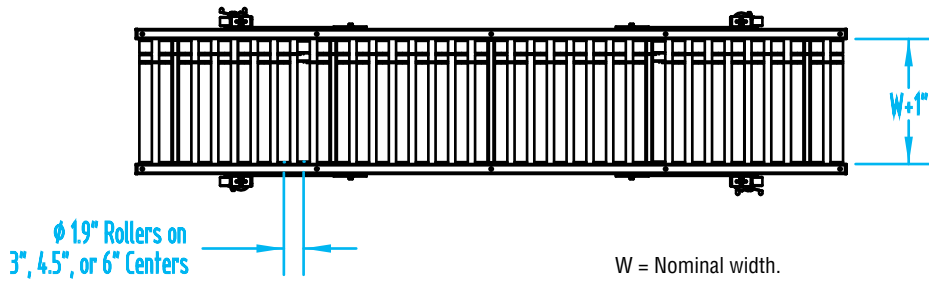
## Features

- 35-WATT 24VDC brushless motor with steel planetary gearbox.
- Variable speed: 14–54FPM other available upon request.
- 12-gauge steel construction.
- 1.9" diameter x 16-gauge galvanized steel rollers.
- 200 lbs. max weight per drive section / zone.
- 20 roller max per drive section / zone this includes power roller.
- Standard 3" center also have 2"–6" roller centers, contact us for alternate roller spacing.
- 15' power cord included. Pre-wired ready-to-run with 110VAC input NEMA1 enclosure with off/ on switch and potentiometer for conveyor speed control.
- 3-Year Limited Warranty

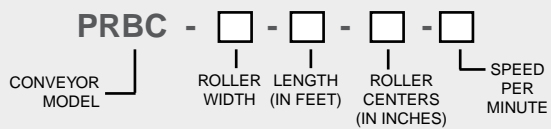
## Common Options

- Alternate motor locations, see page 177.
- "Pop-up" transfer stations.
- Box stops.
- Side rails.
- Zoning section for accumulation.
- Roller coatings.





### How to Order:



Download Conveyor Specifications Form [here](#).

Standard Speeds: 20, 30, or 40 FPM

## Roller Conveyors Pallet and Container Handling

### Common Options:

- Tilt tables / gaylord dumpers
- Sweep arms
- Pop-up box stops
- Pop-up chain transfers
- Ball transfers
- Weigh scales
- Powered turntables
- Fork lift pockets
- Walk through lift gates



### Container Handling Solutions

EMI offers a wide choice of heavy-duty roller conveyors and container handling products for moving large or heavy parts, boxes, containers, totes or pallets. In addition to our standard products, we also develop custom solutions to suit the needs of your specific work environment.

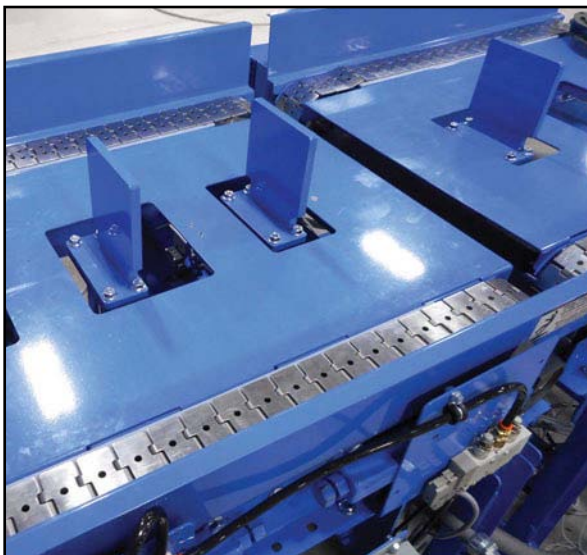
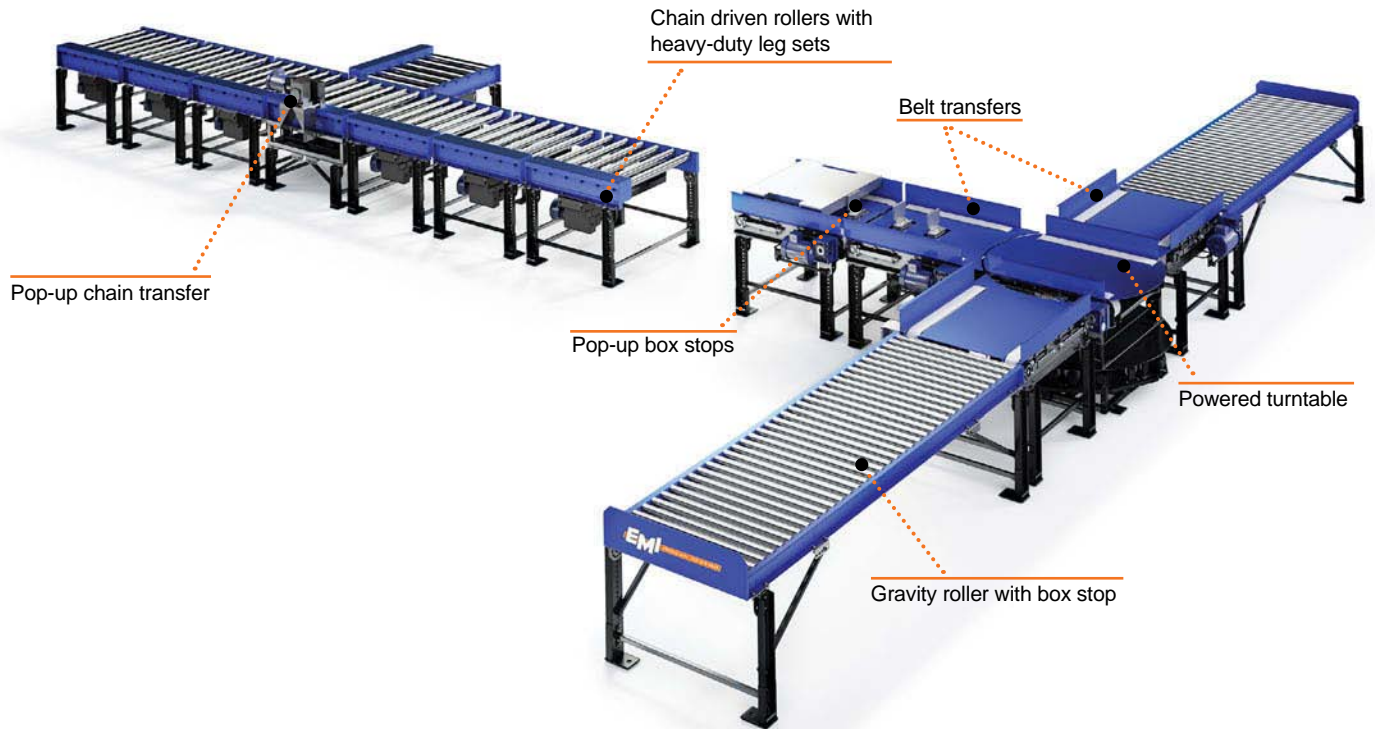


Powered rotary turntables have powered rollers for positive 90° container transfer.



Lift station capability allows ergonomic presentation of large containers for easy operator access.





Pop-up box stops



Ball transfer table



Pop-up chain transfer



Scissor lift in up position



## Conveyor Automation Systems

Decades of constant improvement and custom conveying applications make EMI Conveyor systems the standard in the plastics industry. Manufactured in our Ohio facility, EMI conveyors are designed to your specifications, crafted by experienced assemblers and are made to last in industrial environments while offering advanced features to injection molders.

## Cobot Ready Conveyors

Cobot Ready Conveyors from EMI easily interact with your robot to provide continuous part transfer. Ideal for pick and place, machine tending and packaging, these conveyors are designed and manufactured to order.

## Cobot Stands

EMI Cobot Stands extend the reach of your robot arm. In-stock and cost-effective, these heavy-duty pedestals come in various heights and are available with a mobile base. Perfect for industrial environments.

## End of Arm Tooling

Since 2001, EMI has been helping customers select everything from the right vacuum cups to designing fully-engineered complete project sets. Quality products, competitive pricing and all the support you need. We are easily accessible, friendly, and helpful.

## EOAT for Cobots

EMI's years of experience in automation applications prove that we can provide the perfect solution for a wide variety of industrial End of Arm Tooling (EOAT) and custom cobot gripper kit needs.





## Standard Belting



### Standard EMI Conveyor White PVC

Our standard white PVC belt is an excellent general purpose belt. It's constructed using 2-ply mono filament/multifilament fabric with a FDA/USDA approved PVC cover. Its stretch resistance characteristics are far superior versus woven style materials.

- Anti-static
- Non-marking
- Contact temperature range: 5°–210°F
- For handling plastic parts requiring FDA/USDA approval.



### Standard EA Conveyor Blue PVC Belting

Our standard blue PVC belt is an excellent general purpose belt. It's constructed using 2-ply mono filament/multifilament fabric with a FDA/USDA approved PVC cover. Its stretch resistance characteristics are far superior versus woven style materials.

- Various cleat sizes and heights
- Anti-static
- Non-marking
- Contact temperature range: 5°–210°F
- For handling plastic parts requiring FDA/USDA approval.

Note: This belt can be used on models other than the EA line: Dimensions vary slightly

# Standard Belting



*How-to Video:  
Replace Signature Line Belt*



*How-to Video:  
Replace Merit & Trim Line Belt*



*How-to Video:  
Replace an EA Belt*



*How-to Video:  
Adjustable Angle KK Belt  
Adjustment*



### Black PVC Belting

- Standard belt or with a longitudinal ridge.
- Anti-static
- Non-marking
- Contact temperature range: 5°–210°F
- Industrial grade, not FDA
- Ridged and cleated versions available



### Gray PVC Belt

- "Sticky" top, good for incline conveying.
- Non-marking
- Contact temperature range: 5°–210°F
- Industrial grade, not FDA
- Ridged and Cleated versions available



*Gray PVC Ridged Belt: For many incline applications this ridged texture belt grips parts and can be used in the place of a cleated belt.*

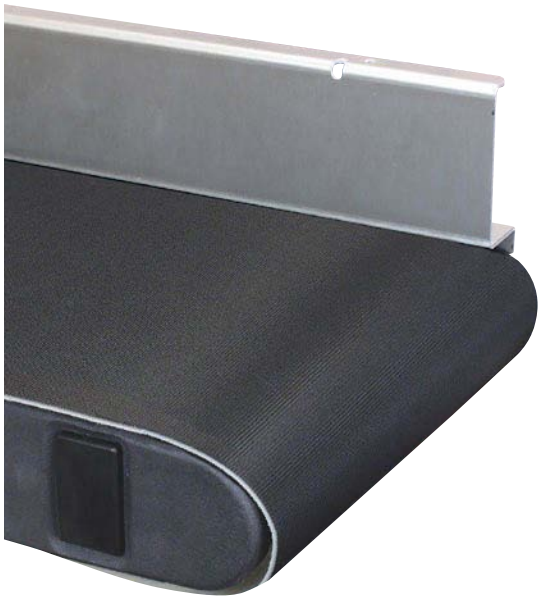


*For many incline applications this ridged texture belt grips parts and can be used in the place of a cleated belt.*

### Blue PVC Ridged Belt

- Anti-static
- Non-marking
- Contact temperature range: 5°–230°F.
- For handling plastic parts requiring FDA/USDA approval.

## Specialty Belting



### 3-ply Heavy-duty, High-Temperature Polyester Belt

This belt provides the best combination of toughness and heat resistance among our woven belts. The corrugated side wall is made of foamed PU.

- 3-ply makes it very impact resistant.
- Temperature range: -22°–194°F.
- Short temperature range: -22°–356°F.
- Industrial grade, not FDA.



### Open Fiberglass High-Temp. Mesh Belt

Teflon® coated fiberglass material is very resistant and durable to high temperatures. Its open mesh construction allows for air movement through the belt.

- For handling plastic parts requiring FDA/USDA approval.
- Contact temperature up to 550°F.

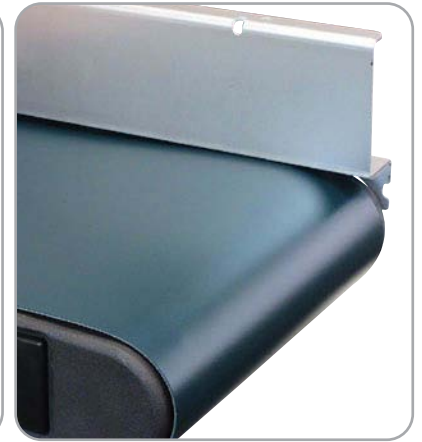
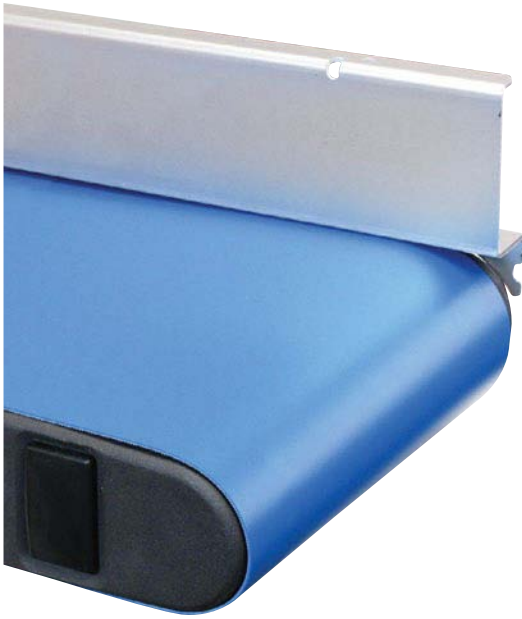


### 3-ply High-Temperature Butyl Belt

Designed for extreme temperatures this belt is recommended for both high-heat and cooling applications.

- Non-marking
- For handling plastic parts requiring FDA/USDA approval.
- Contact temperature range: -50°–300°F
- Cleated versions available.

## Specialty Belting



### Polyurethane Belt

- Readily available in blue, white and green.
- Anti-static
- Non-marking
- Contact temperature range: -22°–175°F.
- For handling plastic parts requiring FDA/USDA approval.
- Side wall and cleated versions available.



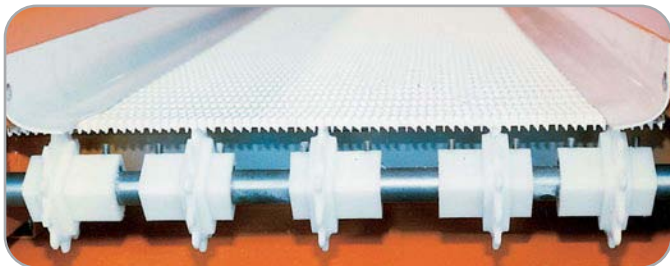
### Rough-top Solid Woven Polyester Fabric

This rough-textured, non-skid surface enables some parts and boxes to be conveyed on incline or decline.

- Available in tan, white, and black.
- Flexible, yet stretch and moisture resistant.
- Non-marking
- Contact temperature range: -40°–250°F.
- Industrial grade, not FDA.

## Specialty Belting

Our standard PVC and Polyurethane belting is available in many colors and styles that include ridges, corrugated side walls, and cleats. In addition to our standard belting we offer many specialty options listed below. Contact us to discuss other belting options!



### Plastic Mesh Belting

Plastic conveyor belting (which requires nylon wear strips and a sprocket drive) is easily installed on EMI conveyors. Typical applications include robotic installations and cooling tunnels. Nylon wear strips also promote air circulation underneath the belt. Plastic belting, although more expensive can pay for itself in the long run. If a problem or wear on the belt occurs simply replace a section of the belt.



### Flat Wire and Chain Belting

Ideal for moving high-temperature molded parts and providing air cooling as they move. Most any EMI flat or inclined conveyor can include the flat wire belting option. (Which requires nylon wear strips.) The sprocket drive assures smooth movement. Flat wire belting can be either carbon or stainless steel.



### Teflon® Coated Fiberglass Mesh

Teflon coated fabric combines the easy release and heat resistance of PTFE with the strength and dimensional stability of fiberglass. Ideally suited for a variety of demanding industrial applications, this option has a max. temperature of 550°F, is non-toxic, odorless, tasteless, and is FDA compliant for use in food processing, packaging, and handling.

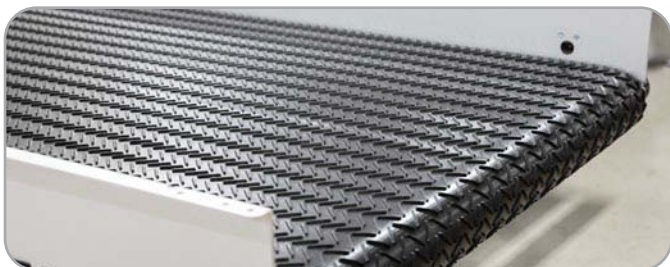


### Modular Plastic Belting

Intralox belting is an excellent alternative to PVC belt. These modular plastic belts come in dozens of plastic "grid" or "mesh" surfaces. These interlocked belt surfaces allow for air circulation or water spray between the part and belt. Due to Intralox's unique belting and positive sprocket drive and tracking system, these belts are known to last longer than PVC belts. With Intralox belting there is no mistracking or slippage.



Like the other types of belting listed on this page, Intralox belting is used on many parts cooling applications. See an example of a water bath conveyor with this belting on page 159.



### Chevron Cleated Belting

A standard flat belt works fine when conveying material up to a certain angle. However, when the angle gets too steep, material may start to slide off. A chevron conveyor belt can be used in place of cleats. These heavy-duty PVC belts are often used for regrinding and recycling applications and have a max temp of 180°F.



## Belts for Part Placement



### Belting with Nests for Robotic Part Placement

EMI now offers creative solutions when your parts transfers require a specific, repeatable orientation. Product nests, shown here on horizontal belts, can also be customized for inclined applications, to provide effective results beyond what can be achieved using cleats and other methods.

Help keep correct orientation and exact positioning for your additional operations: Contact us to find out if this solution will work for you!



## Common Conveyor Options

### T-Style Leg Stand

T-Style leg stands are practical on short length conveyors where two conventional leg sets would make the conveyor overly unstable for the application. They also provide a good way to cantilever the infeed section for easy maneuverability of a conveyor over the base of a press.



### Leg Supports

Permanent supports are anchored to the floor to support an entire conveyor line. They come in various capacities and height/width configurations.

#### Other Frame and Leg Options:

- Frame extensions can retrofit existing conveyor.
- Quick adjust telescoping leg supports.
- Anodized aluminum and 12-gauge steel supports.
- Rigid, swivel, locking, or low profile castors.
- Frame mounted casters and positioning pins.



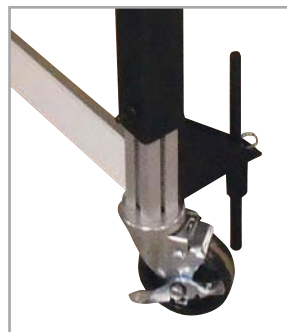
*Locking Castors*



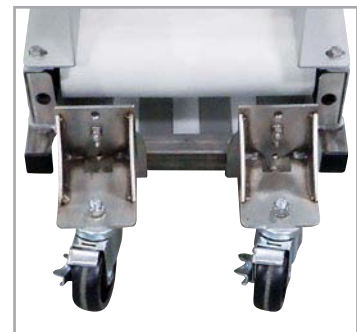
*Floor brackets to bolt legs to floor*



*Levelling pads*



*Floor positioning pins*



*Frame mounted castors*

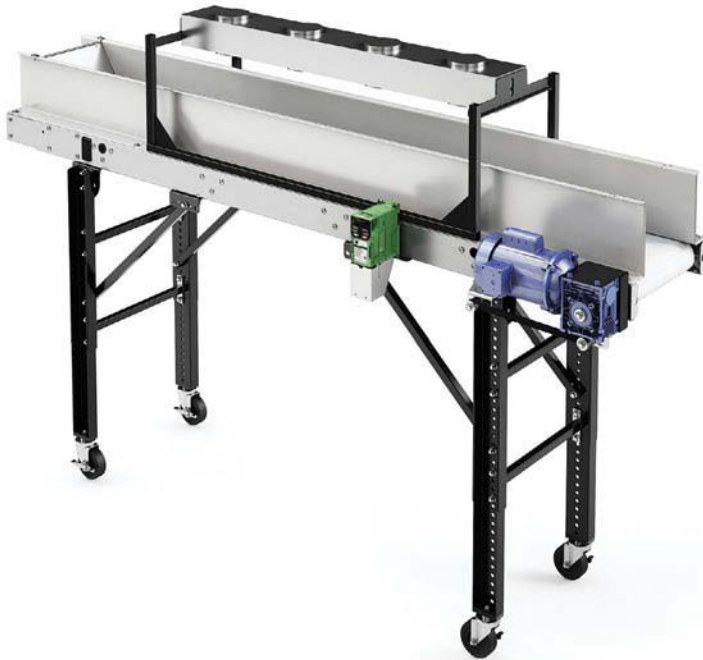
## Common Conveyor Options

### Deionization - Static Elimination

EMI can add a static neutralizer to your belt conveyors through which parts flow on their way to other conveyors, work stations or downstream equipment. This option minimizes dust and dirt attraction to parts, and also reduces parts clinging to each other or metal surfaces they touch.

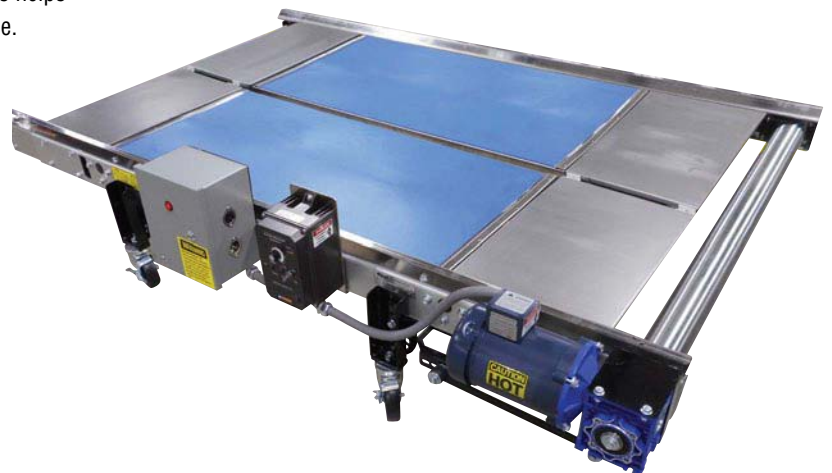
Dust contamination can present major problems for the molded plastics industry. The removal of dust can be substantially improved by the use of this part ionization control system.

Deionization units are often paired with part cooling options like the one shown to the right, see another example on page 157.



### Soft Drop Zone

A soft drop zone cut out of the slider bed, under the belt. This helps cushion part drop, and also minimizes part damage and noise.



## Packing & Inspection Tables

This free-standing stainless steel top, painted steel frame table includes a galvanized roller, and LED light fixture. Inspection tables are used to provide a flexible way to inspect or assemble parts. They have an adjustable height and overhead lighting that guarantees a proper part inspection. A discharge chute, rollers, shelves and more can be added and built to your specifications.

### Features

- 12-gauge steel construction.
- Telescoping legs range from 7" to 68" height with swivel locking castors.
- Stainless steel top.

### Common Options

- Adjustable shelves or drawers.
- Integrated conveyors.
- Side rails.
- Infeed and discharge chutes.
- Overhead lighting.



## Packing & Inspection Tables



### Machine Tending Part Presenter Worktable

EMI's adjustable angle worktable is ideal for staging parts for machine tending applications. The angle of the tabletop is adjustable from 0 degrees (flat), up to 45 degrees to allow parts to self-nest on the included stop pins and assist with draining lubricating fluids. EMI can customize the Part Presenter Worktable to fit your application, including making custom stops and nesting plates.

### Parts Cart

Preventing pile ups at the end of a conveyor is easy with this adjustable angle cart. Placed at the end of a conveyor, this easy to adjust cart allows parts to slide away from the end of the conveyor. Available in stainless steel, powder coated steel or aluminum. Wide range of sizes available.



### Linear Work Table

Three robots drop parts into the polycarbonate cages. Enclosures and lined work tables can be added to almost any EMI conveyor system.

# Workstation Turntables

These variable-speed turntables are available in five diameters and heights from 28"–34". Ideal end-of-belt work station for accumulating, sorting, finishing or packing molded parts. The rotating table and 6" side rails are lined with FDA approved white PVC belting material to protect your parts (shown to the right). Drive motor is behind protective metal guard. Standard castors allow moving the turntables anywhere they're needed in the plant.

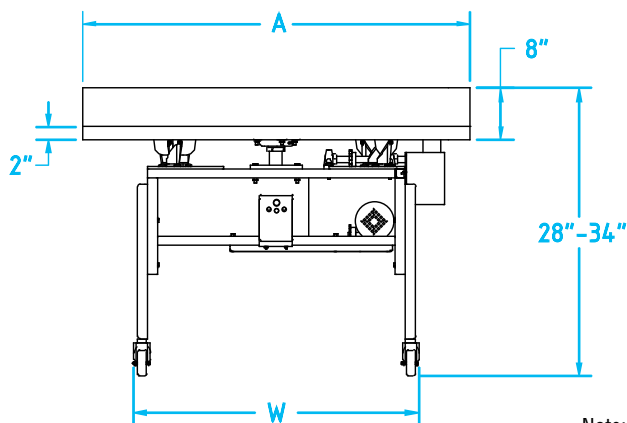


## Features

- 12-gauge steel construction.
- 1/3 hp AC motor variable speed drive.
- Shipped with electrical components completely installed and wired.
- Control wiring is contained in liquid-tight conduit and connectors.
- Castors, to ensure ease of movement.

## Common Options

- Stationary outer ring: only table surface rotates.
- Stainless steel construction.
- Tapered stainless steel cones for part distribution.



Model	"A" Dim.	"W" Dim.
TT-3	3'	24"
TT-4	4'	30"
TT-5	5'	40"
TT-6	6'	40"
TT-7.5	7½'	48"
TT-9	9'	60"

Turntable Revolutions	
3' and 4' diameter	= 6¾ Revolutions per minute.
5' and 6' diameter	= 5 Revolutions per minute.
7½' diameter	= 4½ Revolutions per minute.
9' diameter	= 3 Revolutions per minute.

Note: Outside diameter of turntable travel rate (maximum).

EXAMPLE: 4' Diameter Turntable: 4' Diameter x 3.14 = 12.56 Foot Circumference.  
12.56 Circumference x 6.75 Revolutions per minute = 84.78 Feet of Travel Per Minute.

# Workstation Turntables



Diverter funnels parts towards the center of the turntable



*2-Station system allows robotic part distribution to multiple operators who package containers on gravity roller accumulation racks. Turntables provide flexibility for operators to work at variable pace.*

## Belt Turn Conveyors

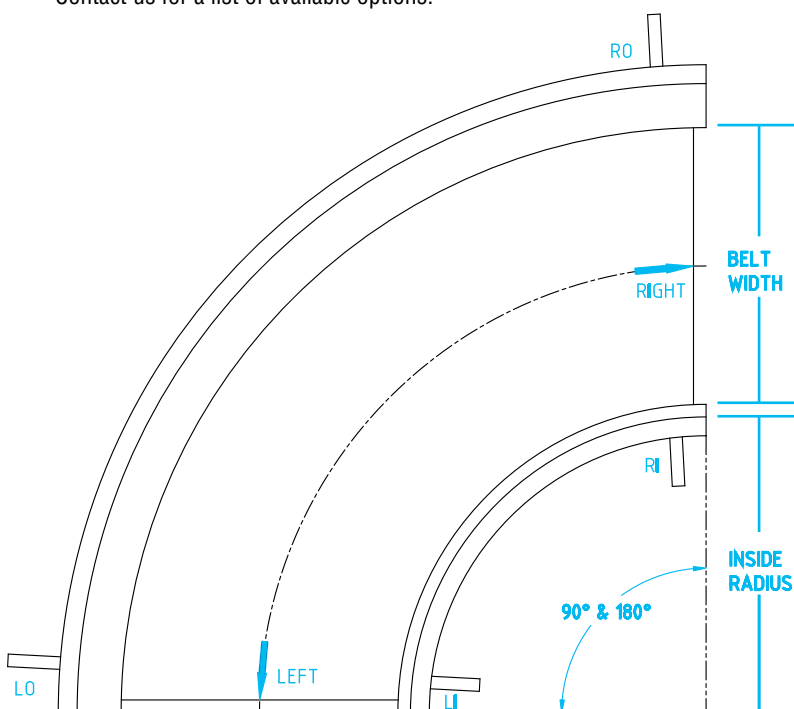
Belt Turns are most often used to connect one conveyor, box filling station, or carousel to another. Belt Turns are an excellent choice when parts need to maintain their original orientation on the belt (as in many robotic applications) or if the parts could be damaged by being dropped from one conveyor to another.

### Common Belt Turn Applications:

- Robotic box-packing.
- Protect cosmetically delicate parts.
- Prevent tall parts from tipping.
- Incorporate multiple belt turns.

### Features

- Motor specs based on size of belt turn.
- Load capacity 40 lbs. per linear foot.
- 40 FPM belt speed (other speeds available).
- 7-gauge steel construction.
- 15' power cord included. Pre-wired ready to run (except polyphase systems which require some customer wiring).
- 2-ply white polyurethane belting.
- Multiple inside and outside radiuses available.
- 2.5" pulley diameter.
- Contact us for a list of available options.



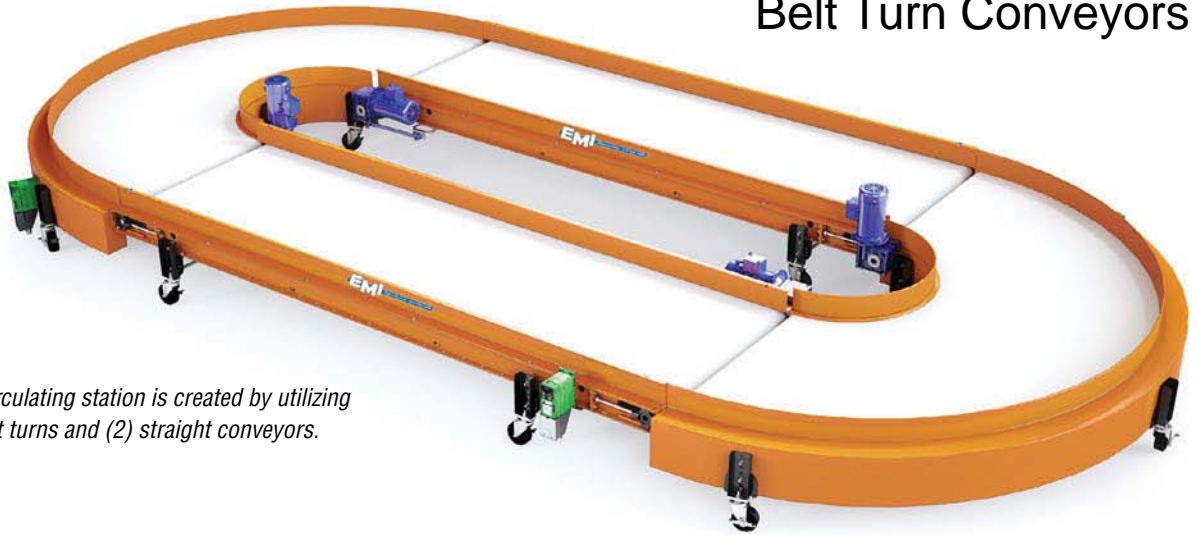
Drive location is on the discharge end.

RO - Right Outside  
 RI - Right Inside  
 LO - Left Outside  
 LI - Left Inside

Specify inside radius and belt width.



# Belt Turn Conveyors



*An oval recirculating station is created by utilizing (2) 180° belt turns and (2) straight conveyors.*



*By butting a conveyor to this 180° belt turn, parts can be moved through a complete change of direction without being dropped.*



*Cascading flat belt conveyors with belt turn, and receiving cart.*

# Conveyor to Conveyor Part Transfer

## Low-Cost Belt Turn Alternative

This configuration is a low cost alternative to powered belt turns. It consists of two flat belt conveyors with curved side rails and a transition plate. The parts cascade through the turn. The two conveyors are joined together assuring alignment and rigidity.

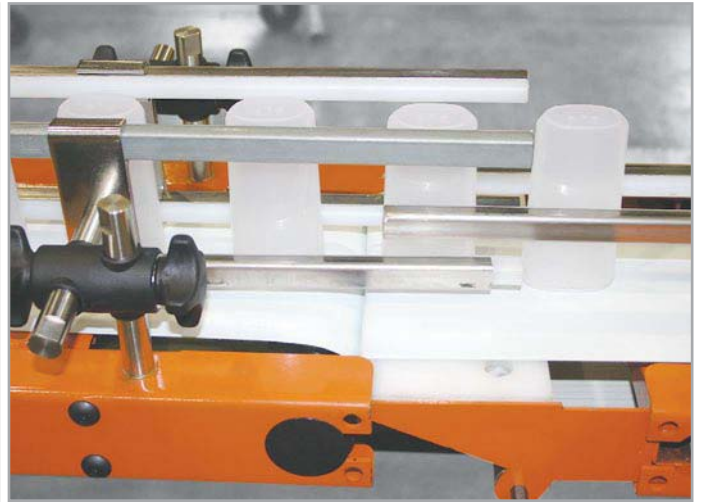
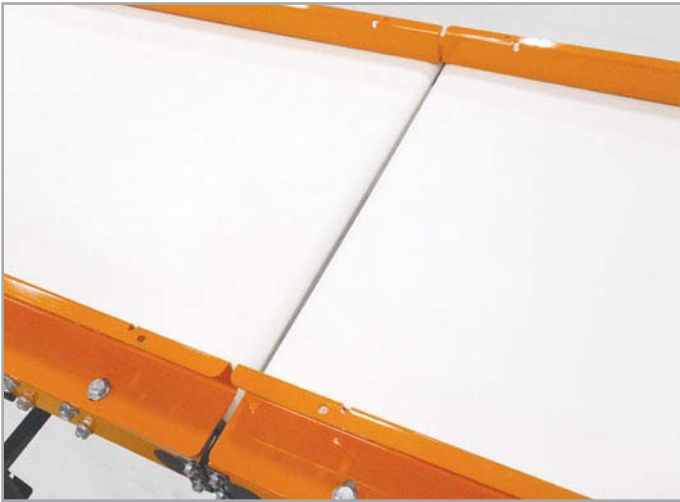


180° turn with (3) straight frame conveyors.



Pivoting section creates a pass-through for personnel or other traffic.

## Conveyor to Conveyor Part Transfer



A nosebar option allows parts as small as 1.5" in diameter to be transferred smoothly between conveyors.

A nosebar is a small diameter pulley installed under the belt at the end of a conveyor. The smaller diameter reduces the gap at the end of the conveyor that is typical of larger diameter pulleys and allows small parts to transfer from the conveyor with more stability. This option can be added to any EMI conveyor model.

## Conveyor to Conveyor with Part Diverting



See page 132 for more information on EMI's Pivoting Part Diverter

## ATS Rotating Drum Part / Runner Separator

ATS separators are a versatile, functional, and economic means of part/runner separation. The design of the ATS separator takes into consideration all variable factors that affect separation such as cycle time, speed, gap and process angle, isolates them, and makes them definable by the operator.

### Features

- Standard variable speed drive to fine tune and optimize the product flow and separation.
- Ten separation gaps.
- Spiral design slows down parts and eliminates parts from sliding through drum.
- A single point roller adjustment.
- Height & angle adjustments require no tools.
- A wide, durable industrial steel base.

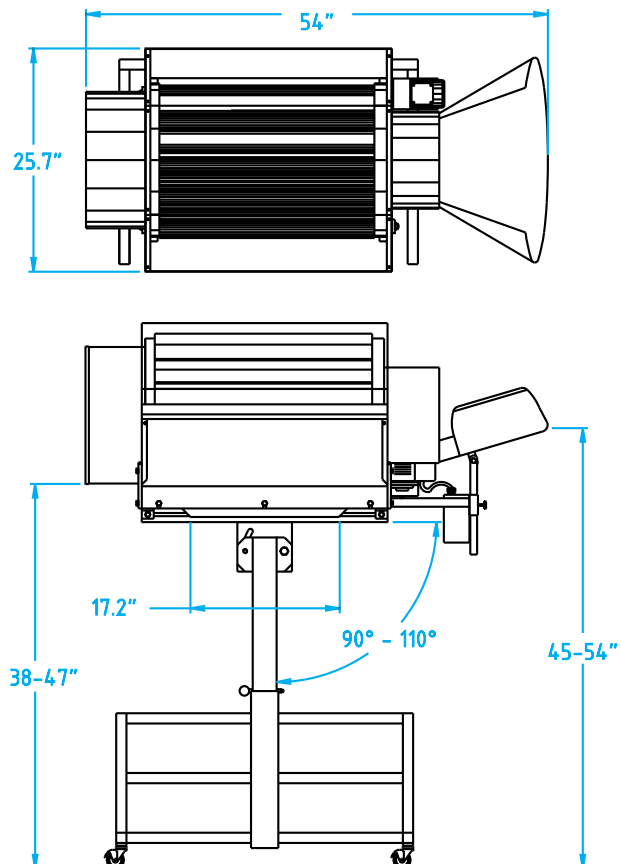
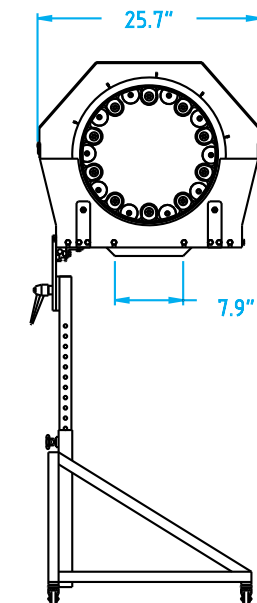
### Common Options

- 90° Infeed chute.
- Stainless steel rollers.

**We will test your parts and runners on our equipment and contact you with our recommendations.**

See "Part-Runner Separation Evaluation:" on page 125.

### Model ATS



## ATS Rotating Drum Part / Runner Separator



### Features:

- ATS Separator
- SST chute and hopper
- Deionizing unit
- Aluminum extension rails and corrwall covers

### Single Point Adjustment



ATS Separator features a single-point roller adjustment that allows the gaps between all 10 rollers to be spaced and set by a single control screw.



Model ATS - 1000

**Cycle time:** Can affect separation because if too many parts and runners are in the process at one time, they can interfere with each other and prevent proper separation. The ATS has a special metering section at the beginning of the drum to ensure all parts and runners flow through the process without interference and utilize the separation drum's entire length. Because of this metering section, the separation process is continuous and consistent.

**Angle:** Most separation devices utilize gravity as part of their means of parts separation. The degree of angle that the parts and runners cascade through the process can greatly influence proper separation. To help benefit from the use of gravity, the ATS separator has an adjustment that can change the angle of decline further ensuring maximum separation.

## SL-18 Pin Style Part / Runner Separator

**Flat-Belt Separators:** Available on Models: ADF, DDF, EAF, RM & CLR with 12" and 18" belt width.

A versatile part/runner separator normally positioned at the end of an under press conveyor. The unit incorporates interchangeable pins (pull out and reposition to achieve the best separation rate), a double "True-Track" belt guidance system, an enclosed protected drive, and a stainless steel infeed chute. This part/runner separator is available (as an option) for conveyor attachment.

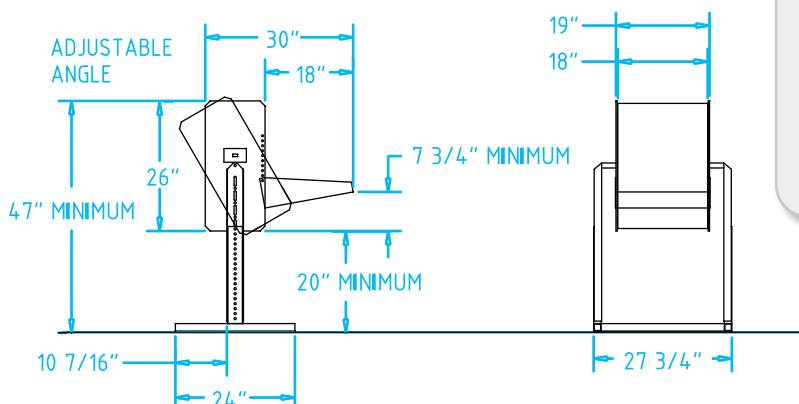
### Features

- 18" Belt Width.
- 40 FPM Belt speed standard.
- Heavy-duty "Industrial Use" construction.
- Interchangeable 2¾" long pins, available in shorter lengths as required.
- Pins are available blunt or tapered. Both styles are available in HDPE. Tapered pins are also available in nylon.
- 16-gauge stainless steel adjustable position infeed chute.
- Double True-Track belt guidance system.
- 12-gauge adjustable height support stand.
- EMI Separators are shipped completely assembled, simply position the legs and they're ready to run.
- 3-Year Limited Warranty, see page 3.



### Common Options

- 60 FPM constant belt speed.
- 0–100 FPM variable belt speed.
- Spare pin belts.
- Extended separator head, in 12" increments.
- Alternate pin styles & materials.



### How to Order:

Specify one of the following options for your belt conveyor/separator combination:

- Option F-1, 60 FPM Constant Belt Speed
- Option F-2, 40 FPM Constant Belt Speed
- Option F-3, 0-100 FPM Variable Belt Speed
- Option F-6, Extended length separator head, in 12" increments. Specify desired extension length.

# SL-18 Pin Style Part / Runner Separator

## Stand-Alone



### Features:

- Deionizing bar
- Containment hood
- EA-PLC Controller for bad shot reversing
- Polycarbonate covers and extension rails

## Connected to a Flat Belt Conveyor



## Part-Runner Separation Evaluation:

What we need:

- 1. Sample Parts and Runners**  
 Send us three complete "shots". Be sure the runners are typical of the runners that the separator must work on. If you run a fast cycle and the runners "curl up", send us those runners.
- 2. The Cycle Time**  
 In seconds.
- 3. Conveyor Style**  
 Your preference of conveyor style, such as flat belt or cleated belt.
- 4. Press Dimensions**  
 Fill out the appropriate press dimensional data form, located on pages 178-179.

Send samples to: EMI Corp. 28300 Euclid Ave, Wickliffe OH 44092 (Be sure to include your name, phone and company name.)

# STN / STN-LK Rotating Drum Part / Runner Separator

Model STN-LK - Great for caps and closures!

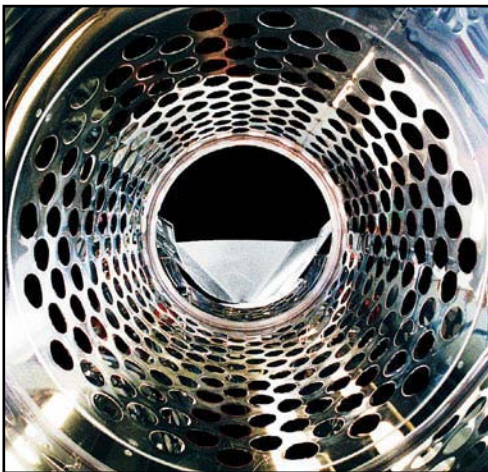
The STN-LK drum separator sorts dissimilar sized parts a different way. This popular design has tubes welded to the outside of each hole. It is an excellent choice for applications with sprue/runner systems that tend to slip through simple round holes and pivot, wedging them into the hole. The tubes prevent the sprues and runners from pivoting, allowing them to easily pass through the system. The drum has specific diameter holes throughout its length that are sized to allow smaller parts through the holes and everything else passes down to the end of the process.

Model STN - LK (larger drum diameter)

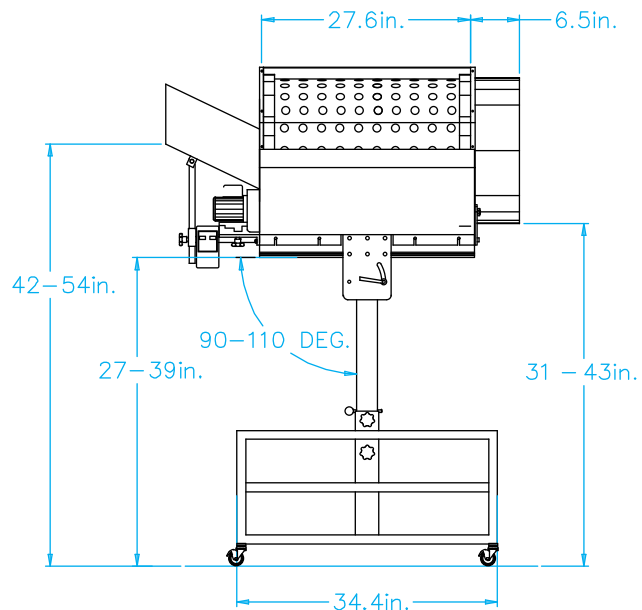
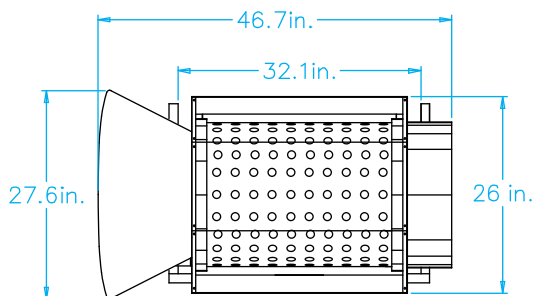
Length: 48"  
 Width: 27.6"  
 Height: 39.3"

Model STNP - LK (smaller drum diameter)

Length: 48"  
 Width: 19.6"  
 Height: 39.3"



Individual drums are removable, allowing one base to serve multiple drums.





## STN / STN-LK Rotating Drum Part / Runner Separator



Click for a 360° View!

### Features:

- STN-LK Part separator.
- Portable table to catch runners.
- SST extension rails and corrwall cover.
- Adjustable work table with overhead light and discharge chute.

EMI Part/Runner Separators mechanically separate sub-gated parts (not attached to a runner) and are not intended to be used to break parts away from a runner.

Each separator is intended to be used in conjunction with or attached to an EMI belt conveyor. A typical application places the belt conveyor under the press and mold to catch the shot, then move the parts and runners out of the press and separate them into two different containers or onto additional conveyors.



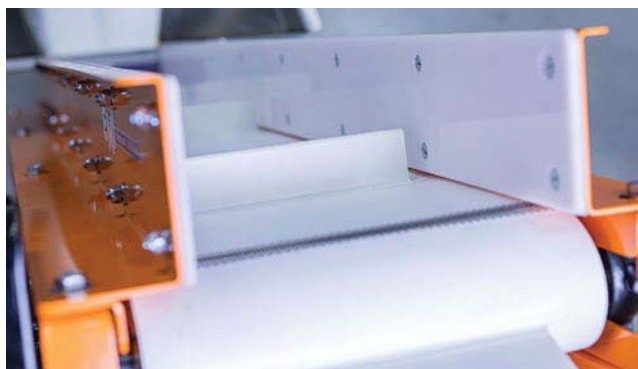
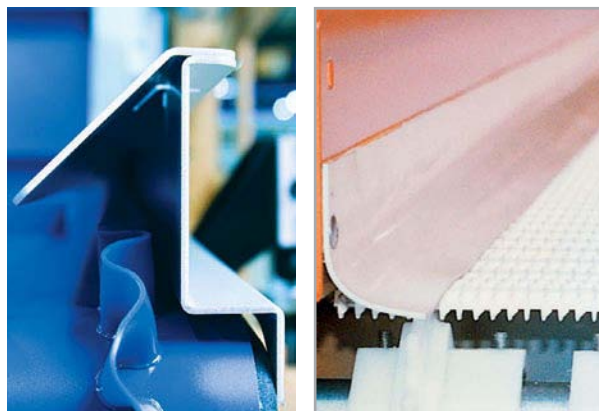
## Parts Containment

### Side Belt Guards

Sidewall Belting with cover rails keeps small parts & scrap on the belt

Adding EMI's corrugated sidewall belting to your conveyor will keep small parts from hanging up on the side rails or jamming between the side rails and the belt. The cover rails keep parts from getting behind the belt.

Side belt guards provide a low-cost method of preventing parts or scrap from being trapped under side rails. **NOTE: There may be application specific limitations on side belt guards. Consult factory for your specific application.** Side belt guards are not available for Trim Line conveyors.



*Delrin lining can be added for part containment.*



### Enclosures Keep Contaminants Out

Ensure parts are contained with side rails, polycarbonate windows and covers while cooling them.

*Robot enclosure examples on page 91.*

# Parts Containment

## Hinged or Folding Side Rails

When under-press space is limited, or when there are under-press obstructions, hinged or folding side rails can be added to the conveyor. Rails simply fold in, out of the way, while the conveyor is positioned, then fold out when it's in place.

This allows a narrower, more maneuverable conveyor to be used, yet still provides a wide parts receiving area. Rail heights are customized to fit your application. Folding side rails are also an excellent way to protect the conveyor belt when molds are frequently changed.



*This conveyor is shown with hinged side rails. Conveyors come standard with swivel castors, but leg stands (shown to the right) are also available.*

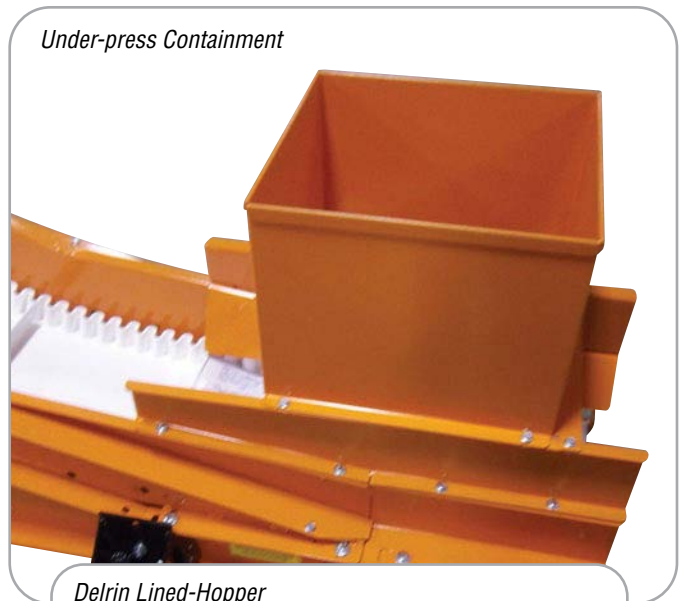


*This flat belt conveyor has a leg stand, a custom part diverter with hopper, side rails, and top plate to keep parts contained and clean.*

*Side Rail Extensions*



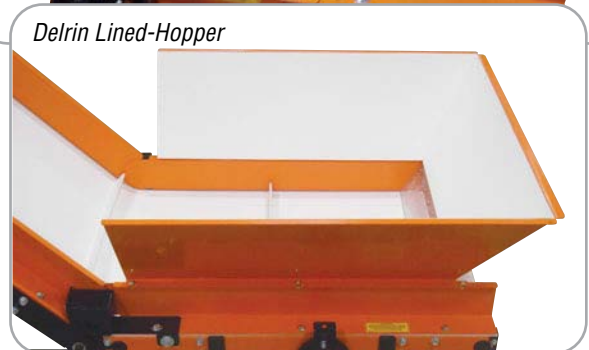
*Under-press Containment*



*Alternate Cleat Height*



*Delrin Lined-Hopper*



## Conveyor Enclosures

We can custom design an enclosure for your EMI conveyor

- Keep molded parts clean.
- Protect people from moving equipment.
- Protect equipment from people.
- Often used where robots place parts on conveyors.
- Also used with box filling systems and multi-level systems.
- Can be made of clear polycarbonate or steel.
- Can be hinged, bolted on, or attached with Velcro®.
- Can be interfaced with safety options like alarm lights or lockouts.



*This belt turn application has a polycarbonate enclosure. Indexing control options have been added along with signal lights, emergency stop, and sensors to detect parts presence.*

*When planning your conveyor application consider the enclosure as an important part of a safe operation. Access to the belt can be controlled with hinged, sliding, or vertical rise doors with safety interlock switch.*



## Specialty Hoppers

No matter what your application needs are, EMI can design the perfect hopper for your conveyor.

### Side Feed, Under-Press Hopper

Low-cost, side feed, under press hopper eliminates the need for an under-press conveyor.

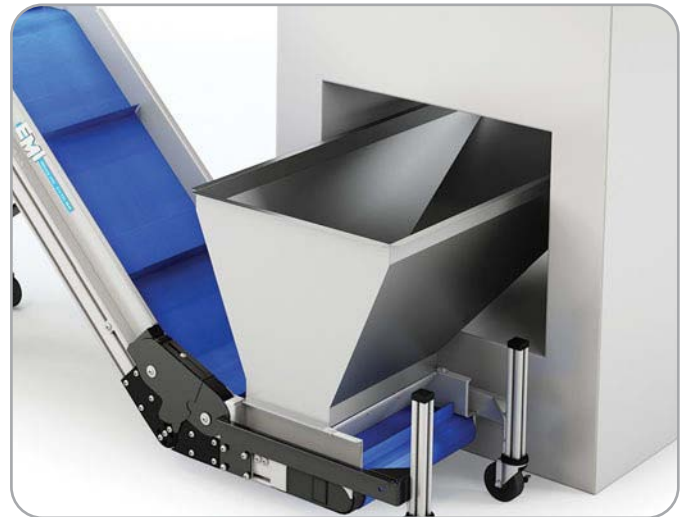
For many applications, a side mounted infeed hopper can be an inexpensive alternative to an under-press conveyor.

The angle of descent necessary to allow parts to move freely will vary depending upon the size and shape of the part being molded. In most cases however, it must be at least 23°.

Vibrators, air blowers, or Teflon® lining can be used to help assure that parts move consistently. The addition of low profile, side mounted castors allows it to be rolled easily under the press.



*Side mounted castors allow the conveyor to sit at its lowest possible height, butting against the press to ensure maximum hopper reach into the press.*



### Under-press Conveyor Hoppers Assure Parts Containment



See page 173–175 for information on how to order Accumulation Hoppers

## Pivot Style Parts Diverting

Parts Diverters save sorting and inspection time by automatically getting rid of bad parts. Economical, stand-alone or conveyor-mounted units, can be placed under the drop zone of the press or outside the press. Various voltage coils are available to fit your requirements. The diverter operates on a signal from the customer's process control.



Click for a 360° View!



# Stand-Alone Pivoting Parts Diverter

Standard diverter widths: 12", 15", 18", 21", 24", 27", 30"  
 Standard lengths: 18", 21", 24", 27", 30"

Stand-Alone Parts Diverters save lots of sorting and inspection time by automatically getting rid of bad parts. Economical, stand-alone units, can be placed under the drop zone of the press or outside the press. Various voltage coils are available to fit the requirements.

## Features

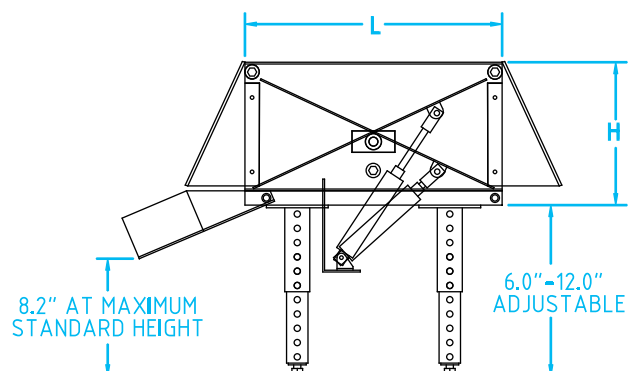
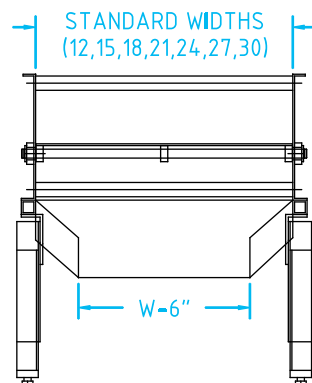
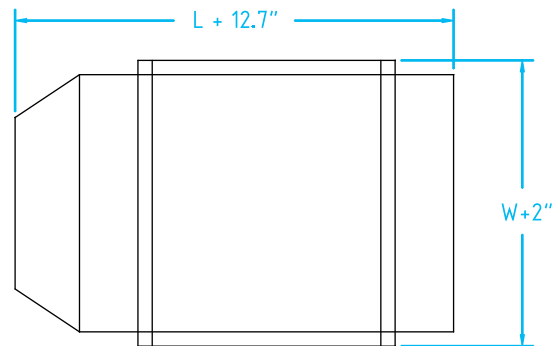
- 12-gauge steel construction.
- 110-volt solenoid valve, air cylinder, air regulator.
- Chute tapers 6" or less nominal width.
- Two polycarbonate guards for part containment.
- 3-Year Limited Warranty, see page 3.
- Many options available, call today.

Part Diverters can be added as an option to any EMI flat belt conveyor!

*They can also be added to existing conveyors or supplied as separate units.*

Length	Standard Widths							
	12"	15"	18"	21"	24"	27"	30"	
18"	10"	10"	10"	10"	10"	10"	10"	
21"	11.5"	11.5"	11.5"	11.5"	11.5"	11.5"	11.5"	
24"	13"	13"	13"	13"	13"	13"	13"	
27"	12.3"	12.3"	12.3"	12.3"	12.3"	12.3"	12.3"	
30"	13.8"	13.8"	13.8"	13.8"	13.8"	13.8"	13.8"	

*Note: Mini regulator and solenoid valve are supplied with 10' of air hose and not mounted to the diverter.*





## Gate Style Parts Diverting

Gate Style Automatic parts diverters keep parts filling continuously with only minimal operator input.

By automatically filling multiple gaylords at a time without operator assistance, EMI gate style, gaylord filling systems are an excellent way to reduce labor costs and improve plant efficiency. They can also significantly reduce lift truck traffic by allowing one operator the ability to service multiple machines.

### How it Works:

- A part count is entered into the counter, and the system is started.
- An air cylinder pushes the first diverter into the open position, and parts are diverted into the first container.
- When the count is met, the feed conveyor stops, allowing all of the counted parts to empty into the container.
- The first diverter closes and the next one opens.
- The feed conveyor starts again, bringing the next part count.
- The operation continues until all containers have been filled.



*Polycarbonate enclosures and custom chutes contain parts.*





## Gate Style Parts Diverting



### Features

- The two sides of each diverter become the side rails of the conveyor when the diverter is closed.
- Diverters are lined with low-friction UHMW to help keep parts flowing smoothly and prevent cosmetic damage.
- Parts continue to be counted when the feed conveyor is stopped, allowing the system to continue without interruption.





# Lane Style Parts Diverting

Benefits of this type of system:

### Cavity separation / Quality control

Separate conveyor lanes isolate mold cavities. If one section of the mold fails, only parts from that cavity need to be discarded.

### Chutes extend robot range, Increase robot speed

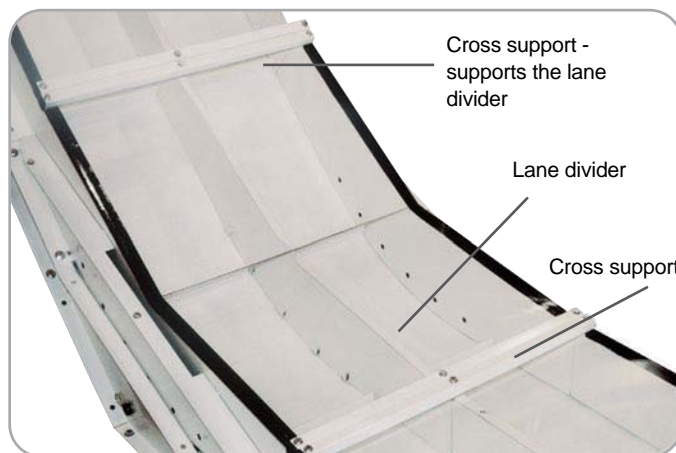
Chutes can be used to move parts beyond the normal range of a robot. They can also increase the speed of a robot by allowing it to release all four parts at once, without having to rotate the end-of-arm tooling.

### Lane Dividers Segregate Parts

Lane dividers can be added to almost any EMI conveyor to segregate different parts and keep them apart during the conveying process. They are an excellent choice for segregating different parts from family molds or for conveying parts and runners to different processes or containers.

### Great Choice!

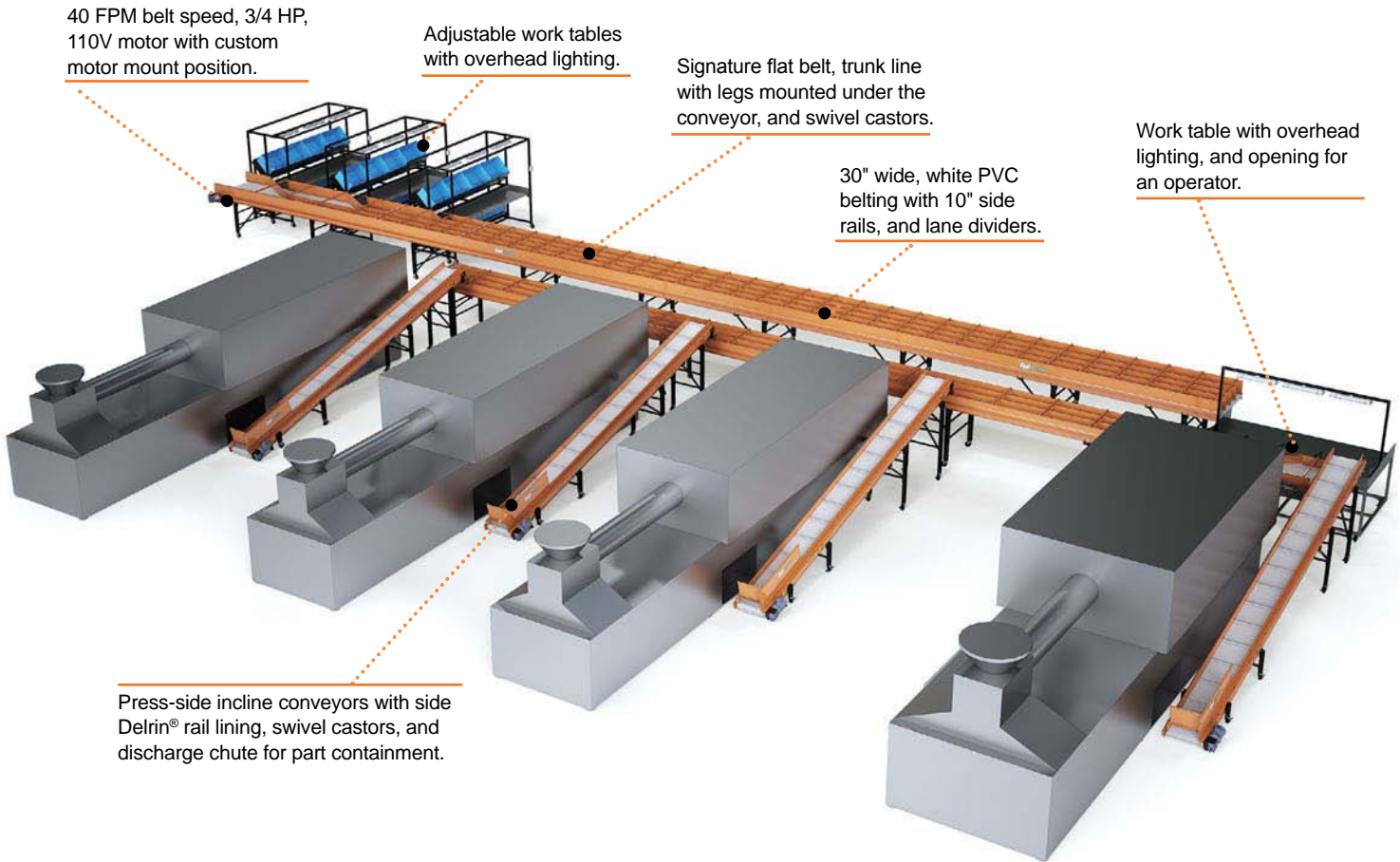
- ✓ Family Molds
- ✓ Keeping parts and runners separate



*The belt on this Kurv-King conveyor is separated into two lanes by a lane divider running down the middle. Regularly spaced cross supports brace the lane divider from above. An optional polycarbonate cover keeps contaminants out.*



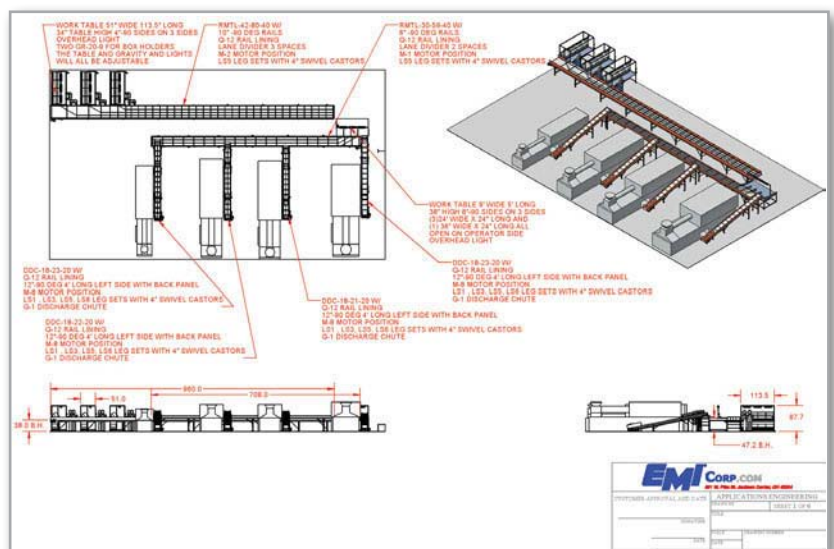
# Lane Style Parts Diverting



EMI conveyors and automation systems are designed utilizing 3-D CAD solid-model engineering coupled with 50 years of experience providing quality, custom automation solutions for the plastics molding industry. Whether you need a single automation cell or a lights out, plant-wide system EMI will design and build an automation system that meets your requirements and exceeds your expectations.

EMI's Trunk Line Conveyors are built for plant-wide systems and incorporate rugged cross-bracing and sturdy construction for long distance runs. The end-mounted drives assure reliable belt tracking.

Our custom conveyor lines, matched with the many options listed in this brochure, create an application built to exceed your expectations.



## Cycle Count Box Filling

A Cycle Count Box Filling System is the most economical method to automatically bulk pack small parts into shipping or storage containers. Cycle count systems are cost effective and easy to implement—simply enter the number of shots to be filled into each container. Cycle count systems can be as basic as the straight inline configuration shown here or they can be incorporated into larger systems such as multi-level systems shown on pages 144–145.

### EMI's Cycle Count Controls

The NEMA 1 enclosure includes a 0-999999 adjustable cycle counter with push button input, liquid crystal display, and timer. A cleat-sensing limit switch, mounted on the empty box holding conveyor, ensures correct box positioning. Also included: on/off switch, manual reset button, time delay relays and a receptacle with plug, to accept the customer supplied signal.

### Typical In-Line Configuration

*The empty box holding conveyor can be either cleated or non-cleated. A cleated belt box holding conveyor provides easy, preset spacing for boxes. Indexing various box sizes is simple with cleated belt conveyors which use a simple, no maintenance cleat position switch control the indexing of boxes into the filling position.*

If the molded parts are flat and don't roll the parts feeding conveyor can be a flat belt. If the parts roll a cleated belt conveyor is recommended.

Flat belt conveyors use photo eyes to index boxes into the filling position. While a flat belt has a lower cost than a cleated belt, when used in a box filling application, this configuration requires attention to photo eye positioning especially when changing box sizes.



The full box holding conveyor can be a low cost gravity roller conveyor (shown) or a powered roller or powered belt conveyor to pull filled boxes away and convey them to downstream box taping or palletizing stations.

### Common Options

- Delete cycle counter (when molding machine is equipped with one)
- "No empty box" alarm and "Alarm Condition" indicator signals no container in next fill station and separate light indicates situation hasn't been corrected
- Strobe lights for either, or both, alarms
- Under the press indexing
- Inspection cycle (includes under-press indexing)
- Process control tie-in
- 230/60/1 or 220-440/60/3 electrics

## Cycle Count Box Filling

*This versatile box filling unit fills two boxes, yet occupies minimal floor space. The two adjustable ambient air fans cool parts before they enter the SPD pivoting part diverter.*

### Easy set up

- The control unit is interfaced with the molding machine to receive a cycle count signal
- The feeding conveyor is plugged into the control unit
- The number of cycles needed to fill each box is entered and the counter is set
- When the set number of cycles has been filled, a left/right diverter automatically flips to fill the next box.
- When a full box is replaced, the operator pushes a reset button. If the first box is not replaced, the conveyor stops.



*An operator places empty boxes side by side on to the top conveyor. Next, a robot drops 4 left-handed parts and 4 right-handed parts in the appropriate box. Parts fill each box, and a signal activates a cylinder to angle the gravity downward to dispense the full box onto the gravity feed roller conveyor.*



## Weigh Scale Box Filling

A Weigh Scale Box Filling Conveyor System is the most precise method to bulk pack small parts into shipping or storage containers. This automated system, sized to meet your container and floor space requirements, includes selected EMI under-press and beside-press conveyors, one with a weigh scale and photo-eye, plus a customized control system.

Automatic Box Filling Systems reduce labor costs by minimizing both the amount of time and number of people required to handle bulk-packed, molded parts.

A basic EMI Weigh Scale control system, like the ones shown on this page, typically allows one operator to handle the production from eight to ten machines. Large, multi-level systems can provide even greater savings.

### Typical In-Line Configurations:



*How-to Video:  
Programming a Weigh Scale*

### EMI's Weigh Scale Controls

The NEMA 1 enclosure includes a weigh scale push button control and display for the platform. A cleat-sensing limit switch, mounted on the empty box holding conveyor, ensures positive container movement. A photo-eye assures correct positioning. Also included: on/off switch, manual reset button, programmable control and interfacing relay. A recommended option is the "no empty box" alarm, with Alarm Condition indicator.

### Common Options:

- "No Empty Box Alarm" and "Alarm Condition" Indicator signals no container in next fill station
- Weigh scale, two-speed cut-off for multi-cavity molds
- Variable-speed drive and two weigh set points provide a "creep" speed near fill weight to trickle in parts until shut off at fill weight
- Floating beam load cell
- "Full Box" alarm signals there is no more room on the conveyor for filled boxes
- Strobe lights for full box & empty box alarms
- Under the press indexing
- Inspection cycle (includes under press indexing)
- Process control tie-in
- Alternate voltages available

## Weigh Scale Box Filling

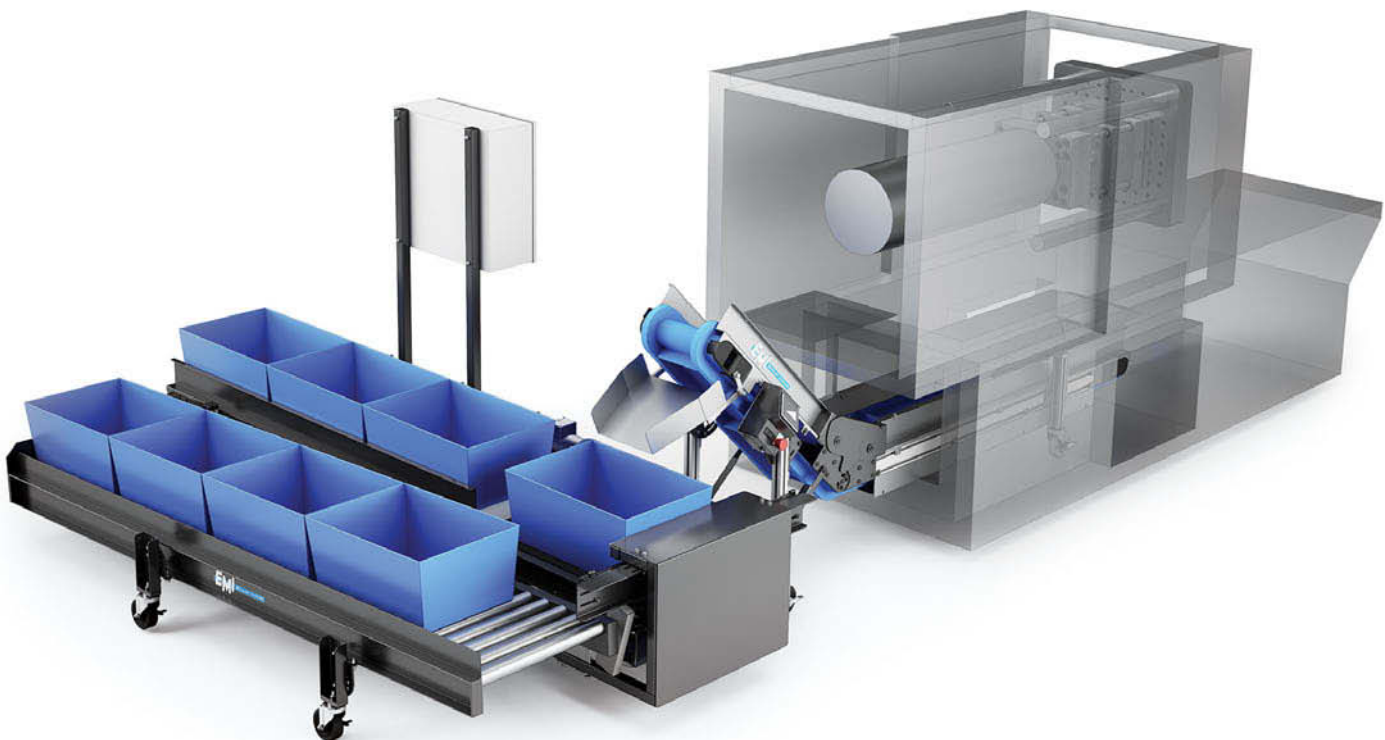


### Automating for Productivity

Weigh Scale automation systems can be designed to specifically meet a wide range of application needs. The systems shown on this page were custom engineered to provide excellent labor saving benefits. EMI will engineer a system to meet your specific needs.



[Click for a 360° View!](#)



## Batch-Mode Weigh Scale

### Accuracy to within 0.5 grams

EMI's batch mode, Weigh Scale Hopper was specifically developed to provide maximum, part counting accuracy. Depending upon the size of the load cell selected, Weigh Scale Hoppers are capable of detecting part weight as small as 0.5 grams.

**Accurate** - Because the Weigh Scale Hopper weighs in small batches, it can achieve a much greater level of accuracy than traditional platform style weigh systems that must weigh the container, the weigh scale platform and the total number of parts. The Weigh Scale Hopper can achieve accuracy to within 0.5 grams - however, the final degree of accuracy will depend upon a number of application factors, including the size of the parts, number of parts on the final cleat, feeding conveyor speed, etc.

**Fast** - The Weigh Scale Hopper does not have to stop filling while a new box is moved into the fill position.

**Flexible** - The Weigh Scale Hopper can be used with almost any box or bag filling system. It can also be used with existing cycle count systems - simply slide it into place and the system becomes a weigh scale system.

**Space Saving** - The Weigh Scale Hopper does not require a separate fill position.

**Economical** - The Weigh Scale Hopper costs less than traditional weigh scale systems.

### Exceptional Versatility!

Weigh Scale Hoppers can be used with almost any type of container filling system – including, Inline, automated turntables, bag filling, box filling, multi-level storage systems, etc.





## Batch-Mode Weigh Scale

### Weigh Scale Hopper Box Filling System

#### How it Works:

- By sampling a given number of parts in the hopper, a part weight and batch weight is determined.
- The number of parts required for a full container is entered into the control system.
- The feeding conveyor fills the weigh hopper until the batch weight is reached.
- The feeding conveyor stops momentarily while the weigh hopper dumps the batch into the container.
- Batches are filled into the container until the final batch is being filled. The controller then determines how many more parts have to be filled to meet the final weight. As the final parts are being filled, the controller slows the feeding conveyor to allow the parts to slowly dribble in.
- The hopper dumps the last batch, zeros itself out and immediately begins filling again.
- The container indexes and a new container takes its place.





## Over / Under Box Filling

Multi-level box filling systems are custom designed to maximize the amount of time they can run unattended by storing a lot of boxes on multiple conveyors. Naturally multi-level systems also make excellent utilization of floor space.



[Download Box filling Specification Form here](#)

### Common Options

Options allow EMI automated box filling systems to be individually configured to meet almost any application need. A few of the most common options include:

#### Method of Filling Parts

- Cycle count
- Weigh scale
- Weigh scale hopper
- Robot

#### Conveyor Construction

- Steel
- Aluminum

#### Conveyor Belt

- Flat belt
- Cleated belt
- Gravity roller
- Live roller

#### Elevator Platform

- Round belt conveyor
- Belt conveyor
- Roller tilt conveyor

# Over / Under Box Filling



*Watch How-to Video*



Click for a 360° View!



## Over/Under System with Weigh Scale

### Fill Position Options:

- Empty boxes are placed onto the bottom conveyor. They are positioned onto the elevator platform by an indexing conveyor with a photo-eye (or a cleat switch). The elevator lowers them and moves them into the fill position, where they are filled by an under-press conveyor.
- This fill position is similar to position #1, except the under-press conveyor fills boxes through an opening in the safety cage. This option maximizes full box storage.
- Empty boxes can be placed on the bottom conveyor and be filled by a robot. The filled box is indexed onto the elevator and raised to the top storage conveyor.

## Side-By-Side Box Filling

Side-by-Side box-filling systems are an economical way to increase the number of boxes that can fit into a limited space. They are suitable for use with almost any type of fill system including cycle count, weigh scale hopper, robot, etc.

### Sweep Arms

Sweep Arms can be used for many different types of applications. They are an excellent way to transfer full or empty boxes from one conveyor to another, or to accurately position boxes for robotic filling. A wide range of styles and sizes are available.



How-to Video:  
Sweep Arm Transfer



Click for a 360° View!



Photo eyes can be mounted to any EMI conveyor with brackets, without frame modifications.



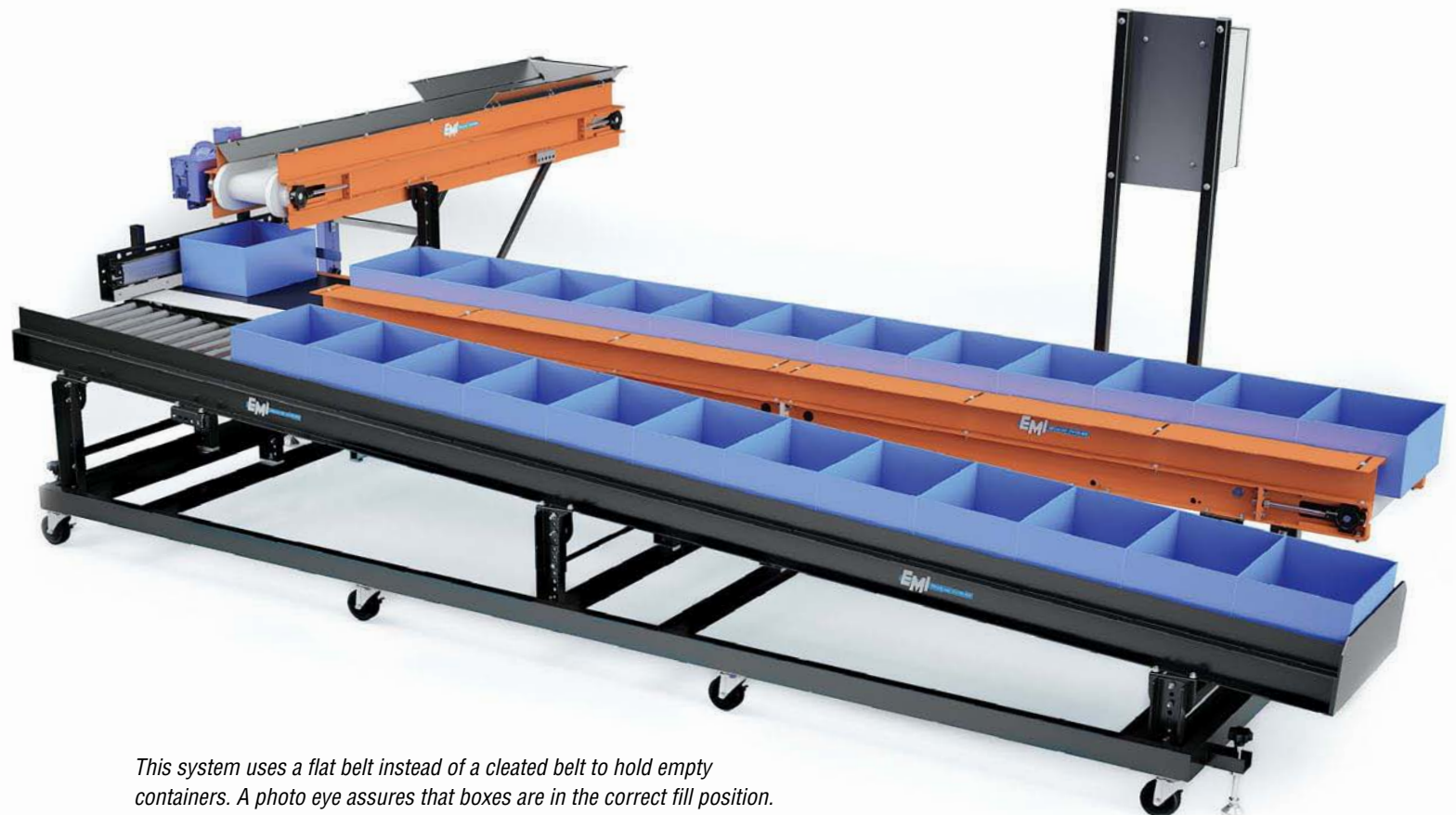
This basic sweep arm application transfers boxes from an indexing flat belt conveyor to a roller storage conveyor.

## Side-By-Side Box Filling

### Side-by-Side Systems with Weigh Scale

#### How it Works:

- The empty box will be conveyed/ indexed onto the scale and positioned by the photo-eye/sweep arm.
- The scale will weigh the empty box and deduct the "tare weight" zeroing the meter.
- The part conveyor will run continuously until the preset weight has been conveyed into the container.
- When the correct weight is met, the control system will momentarily stop the part conveyor.
- The scale conveyor and sweep arm are then activated to exit the full box, which will run until the photo-eye positions a new empty box on the platform.



*This system uses a flat belt instead of a cleated belt to hold empty containers. A photo eye assures that boxes are in the correct fill position. A sweep arm moves filled boxes to the roller storage container.*

## 90° Box Filling

This common L-shaped system with a 90° turn maintains box/pallet orientation and was designed for limited floor space. Our 90 degree box transfers effectively address the common problems associated with traditional right angle systems and tight curve conveyors: inaccurately positioned packages and sensor failures that cause jams, line slowdowns, and downtime.



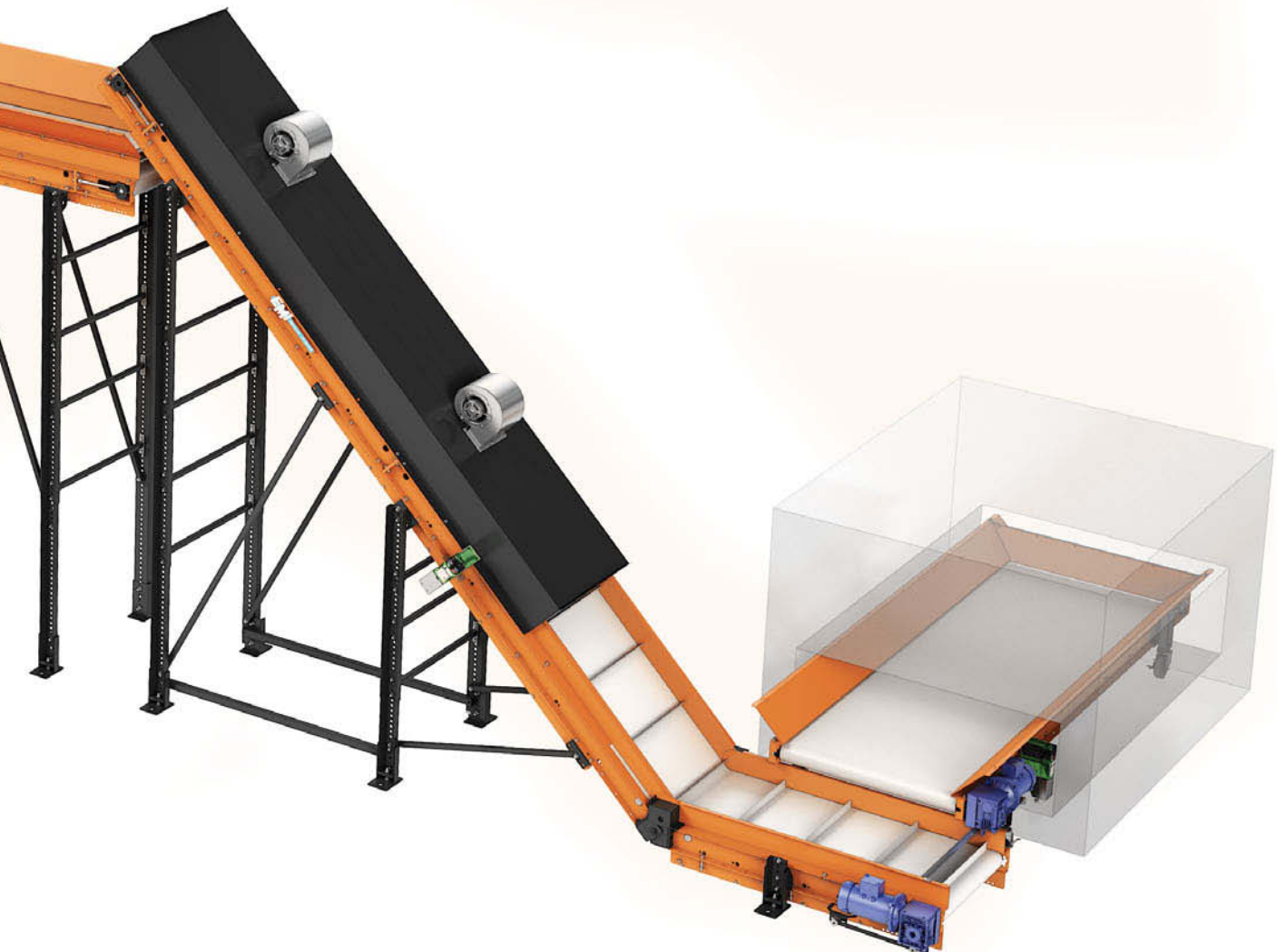
*This 90° box fill system has an indexing control package that assures boxes are in the correct fill position. Boxes move to a weigh scale before a sweep arm moves filled boxes to the roller storage conveyor. A two signal alarm lets the operator know when empty boxes need to be replenished and when there is no more room for full boxes.*



## 90° Box Filling

**90° Box Fill Systems are an Ideal Solution**

- Ensures accurate product orientation and product positioning.
- Can be used for box / tote filling by weight or count.
- Eliminates sensors and controls plus associated maintenance time and costs.
- Creates a compact system layout.
- Is a low-cost alternative to a 90° belt turn.





## Indexing Carousel

Available Diameter Sizes: 3', 4', 5', 6', and 7'

The Indexing Carousel is a versatile, cost-effective way to automatically fill parts into boxes or bags. Compact round shape in five diameters (3', 4', 5', 6' and 7') is great for areas that are often too small for a traditional inline system such as the space at the end of the molding machine.

The Automatic Turntable operates on a count signal from the molding machine, a robot or a weigh hopper (see page 142) and can be programmed to fill many different sizes and shapes of boxes or bags.



[Download Box filling Specification Form here](#)

## Weigh Scale Hopper Bag Filling

How it Works:

- Parts are brought from under the press to a feeding conveyor, which feeds them into the Weigh Scale Hopper. When the Weigh Scale Hopper reaches the programmed weight, it momentarily stops the feeding conveyor and drops the parts into the 1st bag.
- As soon as the parts drop, the hopper closes and the feeding conveyor restarts. When the correct weight is reached, the weigh hopper stops the feeding conveyor and drops the parts into the 2nd bag.
- As soon as the parts drop, the hopper closes and the feeding conveyor restarts. The carousel unit then indexes, placing two more bags into the fill position.





# Indexing Carousel

Accuracy to within 0.5 grams!

Need to fill a lot of bags quickly and accurately? Combine a Weigh Scale Hopper, which can weigh to within 0.5 grams, and an Indexing Carousel.



Double the Capacity!

A second-level platform can double the capacity of a carousel style box or bag filling system—without using any more floor space than a single-level system.



## Stacking / Destacking

We offer stacking and destacking options to meet the challenges when it comes to product stacking within the line. Our conveyors can place products into the stack orientation needed without jeopardizing the product.



Watch How-to Video



Click for a 360° View!



## Tote Dispensers

When parts need to be filled into totes for future use, or when moving to a different area for secondary operations, an automated, tote dispensing, part filling system can be an excellent, labor saving investment.

EMI's flexible tote stacker offers easy operation even in tight space restrictions. This allows you to automate the stacking or de-stacking of empty or full totes, providing reliable staging, storage, retrieval and re-sequencing.



### Tote Dispensers

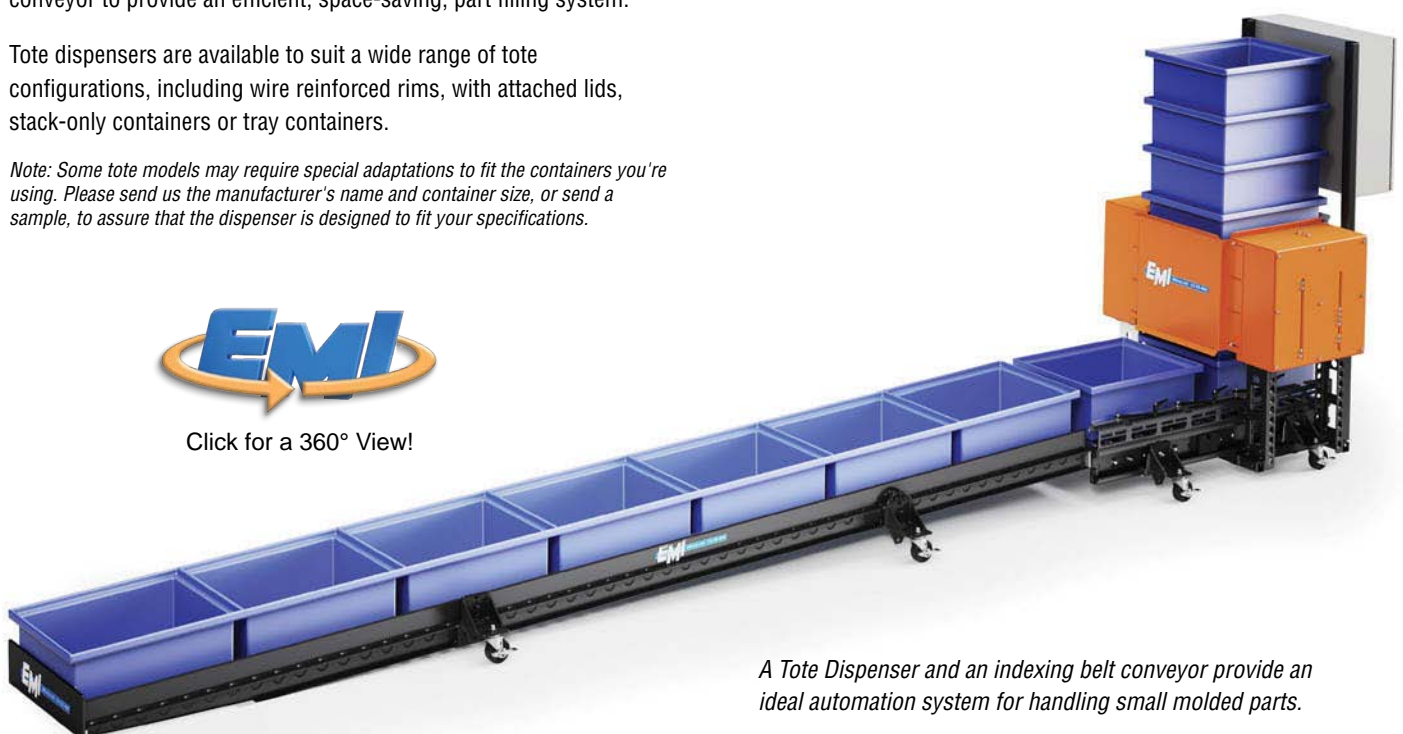
Tote Dispensers can be mounted to almost any model EMI indexing conveyor to provide an efficient, space-saving, part filling system.

Tote dispensers are available to suit a wide range of tote configurations, including wire reinforced rims, with attached lids, stack-only containers or tray containers.

*Note: Some tote models may require special adaptations to fit the containers you're using. Please send us the manufacturer's name and container size, or send a sample, to assure that the dispenser is designed to fit your specifications.*



Click for a 360° View!



*A Tote Dispenser and an indexing belt conveyor provide an ideal automation system for handling small molded parts.*

## Air Cooling Conveyors

EMI can add a custom cooling enclosure to almost any EMI conveyor. Cooling units can also be retrofitted in the field on existing EMI conveyors. An excellent choice for thick-walled or blow molded parts, post-mold cooling can cut cycle times by quickly cooling hot parts, stabilizing them, and preventing them from deforming.

### Air cooling conveyor choices:

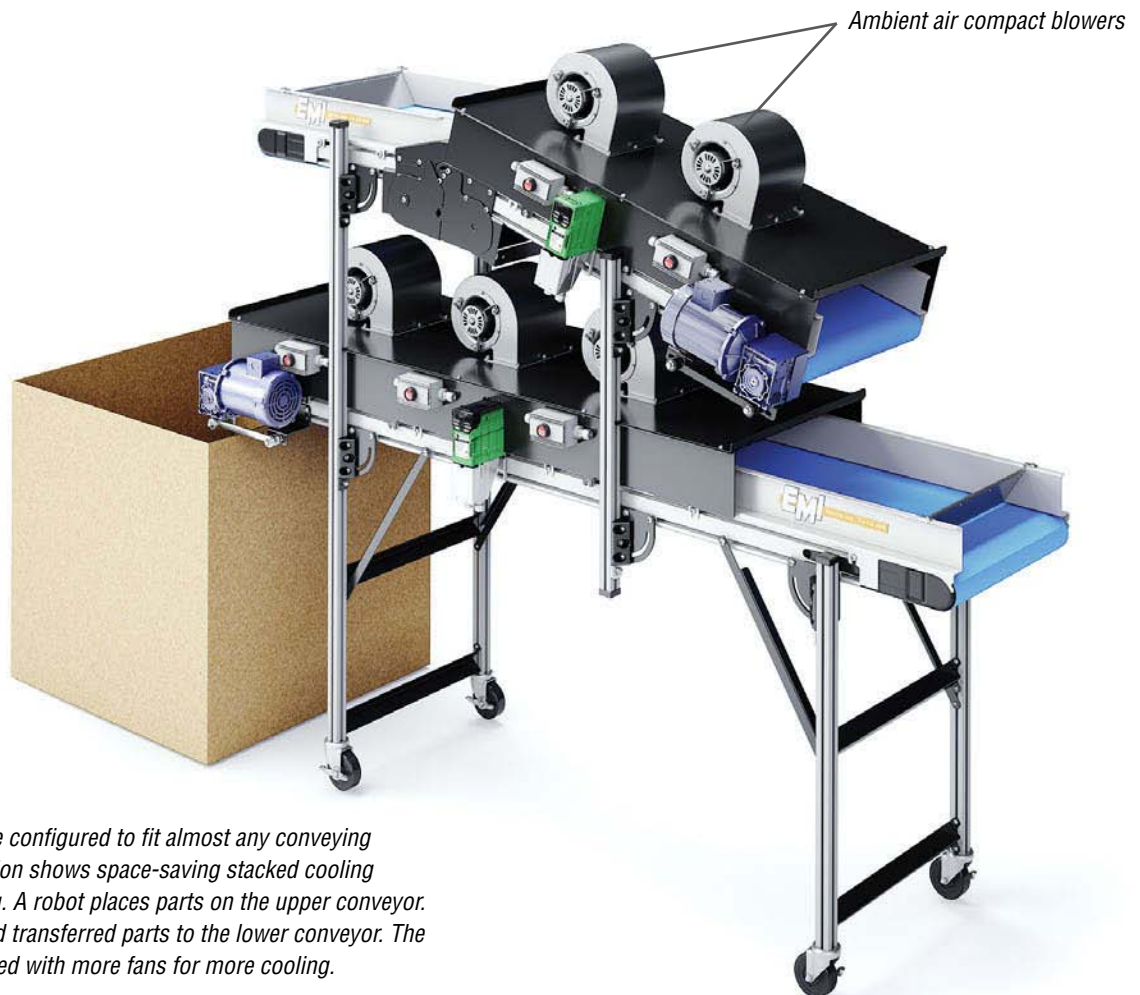
**Ambient Air** - A lower cost alternative to chilled air, use when only minimal cooling is required. Blowing ambient air over warm parts can be a relatively inexpensive way to help cool warm parts on their way to packing or assembly operations. We have two styles of ambient air blowers: squirrel cage fans or adjustable fans. By choosing optional open grid belting, blowers can be positioned both above and below the parts.

**Chilled Air** - Chilled water cooling is our most popular option and has the highest success rate among customers. This can be used for blow molded, thicker walled parts or any application where faster cooling is required. With EMI's standard variable speed, our conveyors can run as slowly as you need for proper cooling. Standard chilled air cooling units include a blower and coils mounted in an enclosure over the conveyor belt. Chilled water is provided by the customer's chiller or tower.

**Self-Contained** - If you need to air cool parts but do not have a central chilled water supply or a solution requiring minimal setup is preferred, we can integrate a self-contained cooling unit into your automation system.

**Water Spray Cooling / Air Knife Drying** - If you need to cool an extrusion or part quickly, this can be the perfect choice. A fine mist is sprayed onto hot extrusions, water drains off through the belt, into a stainless steel pan below. To allow the extrusions to be packed immediately, air knives blow off residual water. (100% dryness can not be promised)

**Water Cooling Conveyor** - EMI will provide a customized, flat-to-incline conveyor and water holding tank to provide a "soft" landing and cool-off period for thick-wall parts before they are transferred to another conveyor or work station. A wide selection of widths and lengths are available to fit your cooling requirements.



*Cooling conveyors can be configured to fit almost any conveying application. This application shows space-saving stacked cooling conveyors plus box filling. A robot places parts on the upper conveyor. The conveyor indexes and transferred parts to the lower conveyor. The lower conveyor is equipped with more fans for more cooling.*

## Air Cooling Conveyors



*Chilled air cooling with HEPA air filters*



*Ambient air cooling fans*

Due to variable factors beyond our control, EMI cannot guarantee a specific desired temperature can be achieved or consistently maintained.

Factors include:

- Differences in material of parts being cooled.
- General climate or specific seasonal weather conditions.
- Open area versus enclosed area of your application.
- Heat from other equipment or lighting.
- Material of building construction.
- Locations of doors and windows and frequency of opening/closing.

### Air Flow From Below Provides Maximum Part Cooling!



When thick-walled parts need to be cooled, getting air to both the top and bottom surfaces can often be difficult. This application solves the problem by mounting chilled air coolers on both the top and bottom of the conveyor, a wire mesh belt allows air to pass through to the parts.

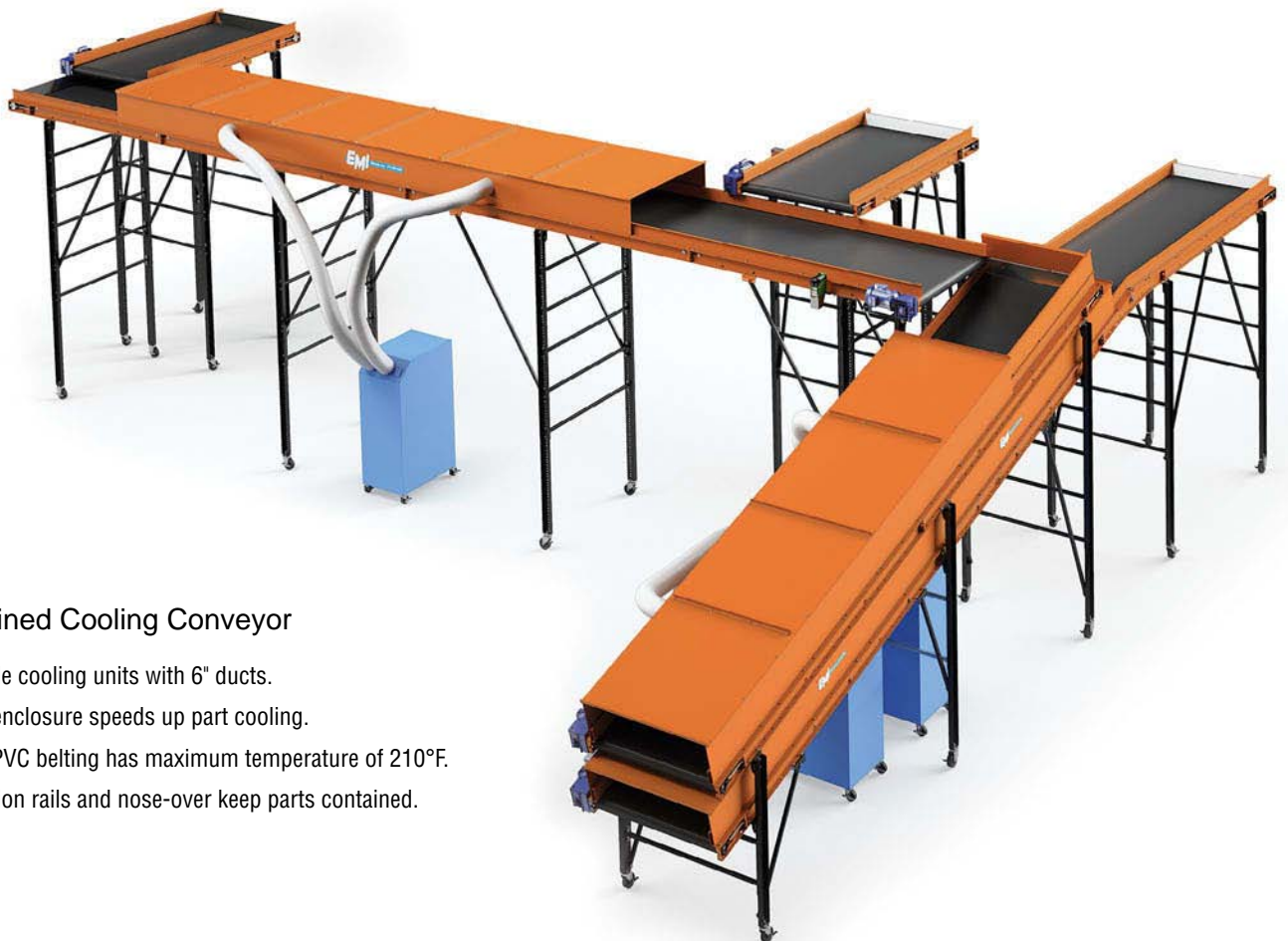
Chilled air blowers under the belt blow air into and around the part. To provide even greater time in the cooling chamber, an indexing cycle is sequenced to allow the parts enough time to properly cool.



## Self Contained Air Cooling Conveyors

If you need to air cool parts but do not have central chilled water supply conveniently available, or a solution requiring minimal setup is preferred, we can integrate a self-contained cooling unit into your automation system.

Our engineers will assess your cooling needs and integrate the proper size cooler—13,200 Btu/h (440 CFM), 18,000 Btu/h (530 CFM), or 24,000 Btu/h (708 CFM)—into your system. With the addition of cooling tunnels or perforated side rails, cooled air can be placed precisely where it's needed to reduce cycle time or allow extra parts cooling while on the conveyor for quicker handling of parts. These rugged units provide dependable cooling even in the harshest molding environments and cool parts just as good if not better than centralized systems. Powerful performance doesn't mean they are complicated to set up and use. All of our self-contained cooling units require little or no installation, bringing instant cooling to your parts processing application. Just plug it in and turn it on!



### Self-Contained Cooling Conveyor

- Portable cooling units with 6" ducts.
- Metal enclosure speeds up part cooling.
- Black PVC belting has maximum temperature of 210°F.
- Extension rails and nose-over keep parts contained.

# Cooling Conveyors



## Static Elimination

Does static electricity attract dirt to your parts?

EMI can add a static neutralizer to your belt conveyors through which parts flow on their way to other conveyors, work stations or packaging. This option minimizes dust and dirt attraction to parts, and also reduces parts clinging to each other or metal surfaces they touch.



## Water Cooling Conveyors

### Part Cooling As You Convey Thick-Walled Parts

EMI will provide a customized, flat-to-incline conveyor and water holding tank that creates a cool-off period for thick-wall parts before they are transferred to another conveyor or work station. A wide selection of widths and lengths are available to fit your processing requirements.

### Features

- 12-gauge, #304 stainless steel construction.
- V-guided, FDA approved, white PVC belt with 1½" flexible cleats on 18" centers.
- Stainless steel belt lacing.
- Side rails lapped over conveyor belt.
- Sealed stainless steel bearings in cast stainless steel housings.
- 15' power cord with ground fault interrupter plug.
- Pre-wired, ready to run.
- Control wiring contained in liquid-tight conduit and connectors.
- 110/60/1 input C-Faced Direct Drive package.
- Units under 10' length shipped fully assembled.
- Water holding tank may include optional cooling coils.



*This submersible conveyor has been customized with a containment hopper and mobile floor stand for portability within the plant.*

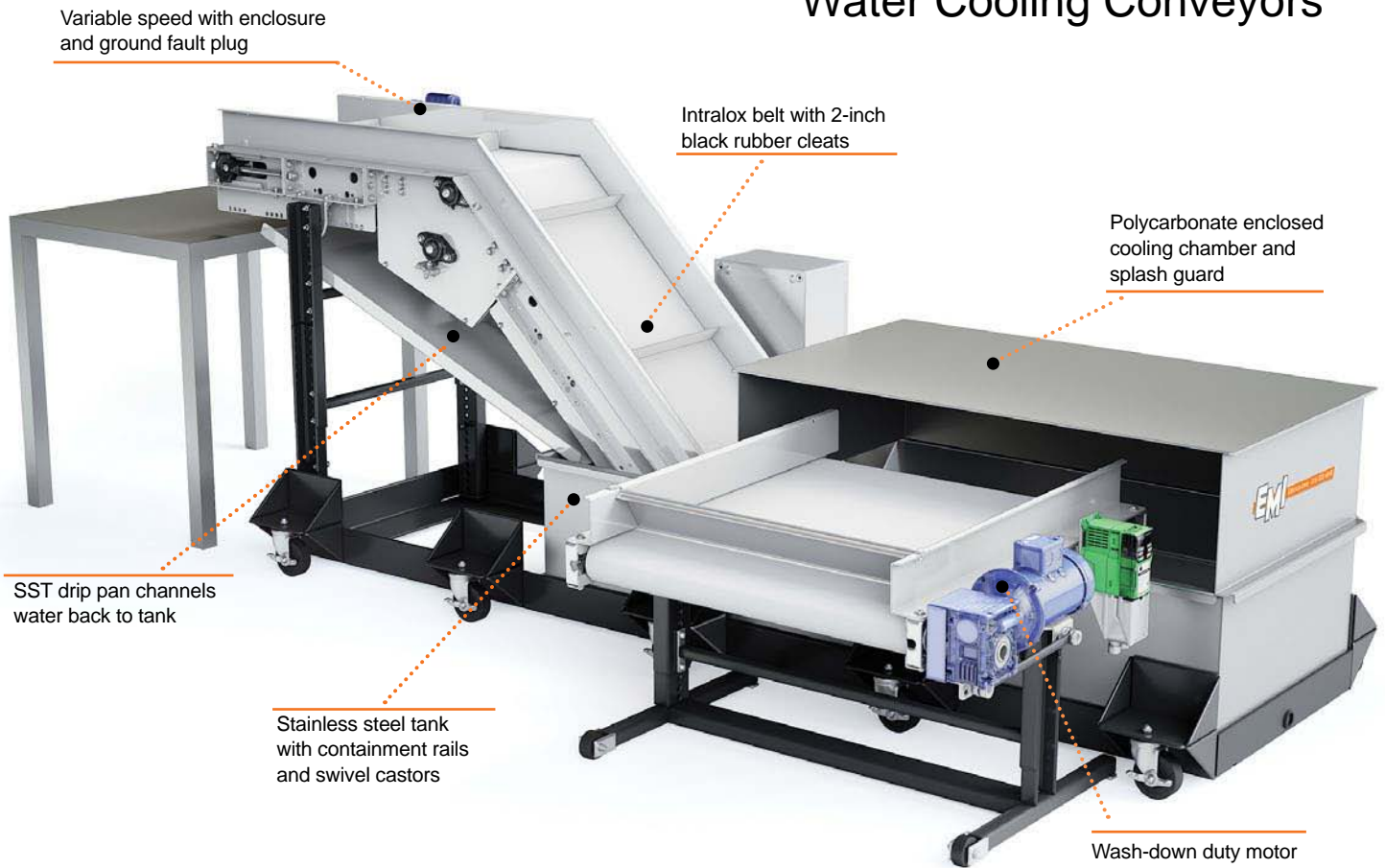


*Water bath with air blow off to help dry parts*



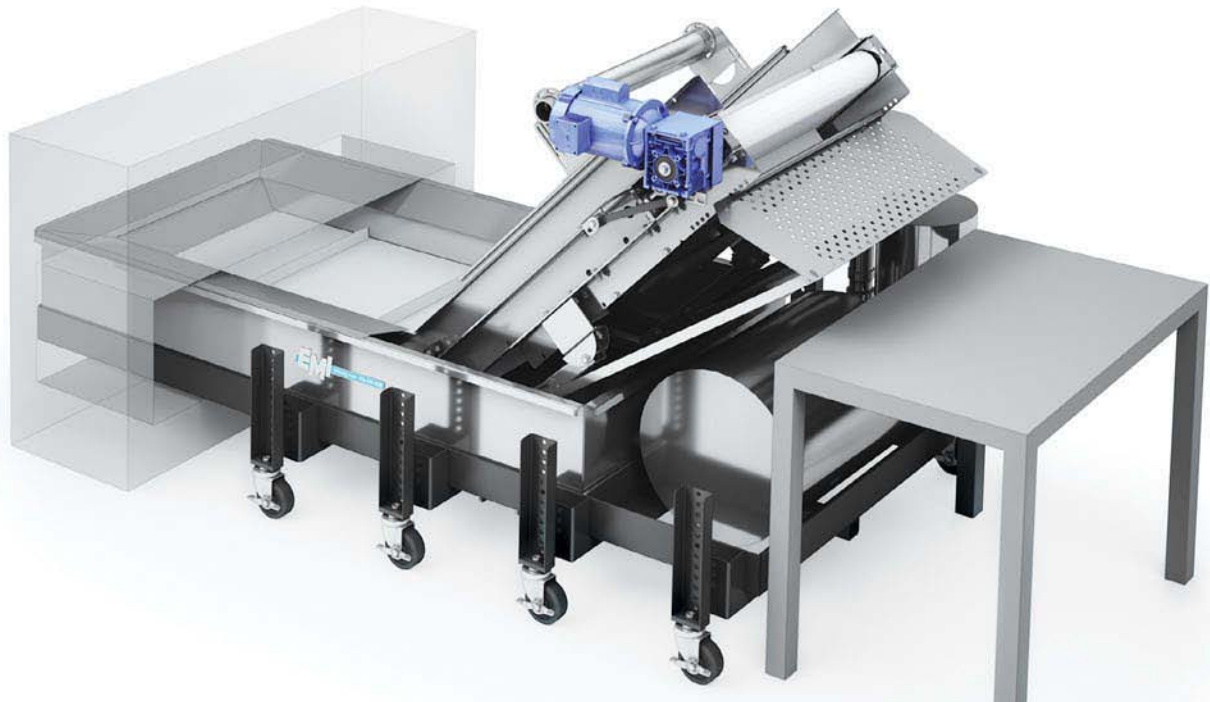


# Water Cooling Conveyors



## Water Bath with Air Knife

This wash tank conveyor is complete with an air knife mounted to an adjustable bracket which dries parts before they hit the chute. The chute has holes that drain to the catch tray below. A stainless steel water tank with hydronic cooling coils is mounted below the conveyor for minimal footprint. Complete drying of parts cannot be guaranteed.



## Hybrid Cooling/ Drying Conveyors

### Water Spray Cooling

This wash tank conveyor is used to spray parts with a water solution as they move along the stainless steel wire mesh belt instead of immersing them. The solution collected in the tank is drained away and may be re-used. The system features four spray nozzles fed by a flexible tubing from a manifold system. The ambient air fan blows droplets off parts but does not completely dry them. Complete drying of parts cannot be guaranteed.

If you need to cool an extrusion or part quickly, a water spray can sometimes be the perfect choice. This application uses water sprayers located above and below the belt to spray a fine mist of water down onto hot extrusions as they pass underneath. Water drains off through a Intralox belt, into a stainless steel pan below.



## Hybrid Cooling/ Drying Conveyors

### Air Knife Drying Application

Air Knife systems are designed to assist the blow-off surface liquids/ moisture and clean plastic parts. This application uses four air knife spraying stations, a polycarbonate cover, stainless steel bottom tray, and 90° flat side rails. Vinyl curtains can be added for containment. Complete drying of parts cannot be guaranteed.



### Water Spray Cooling

This cooling application features 3 spray nozzles and a drip pan with drain. An infeed hopper assists in parts dropping to the conveyor where side rails, and containment rails keep parts secure.



# Aperture Style Metal Detector

## Highest Levels of Accuracy

An aperture style metal detection system is a highly effective means of protecting almost any type of machinery that may be damaged by metal parts or pieces. An aperture style system provides superior metal detection for both ferrous and non-ferrous metal, and will detect metal either on or above the conveyor belt.

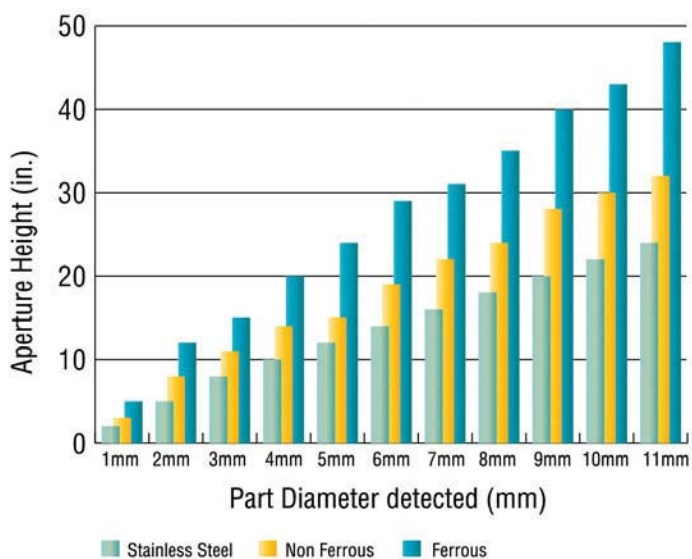
Control features include self-monitoring electronics, noise suppression and temperature compensation. All basic adjustments are made at the front panel.

When metal is detected, the unit will stop the conveyor and signal an operator to remove the metal and reset the system. If automatic quality control is desired, the system can be combined with a parts diverter or reject chute to remove the suspect material.



*The exceptional degree of accuracy provided by an aperture style system makes it an excellent choice when extremely accurate metal detection is essential.*

**Sensitivity Chart - Aperture Style Detector**



# Flat Bed Style Metal Detector

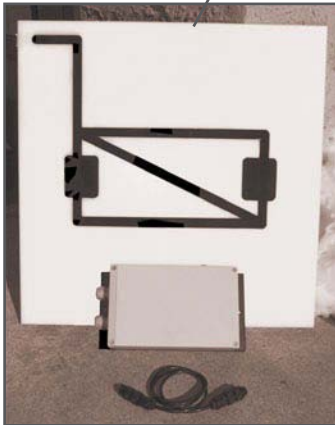
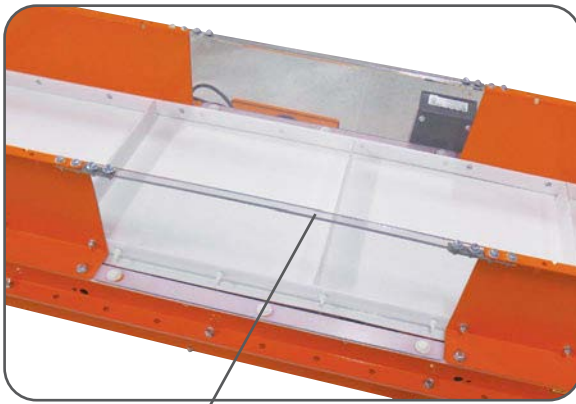
## Cost-Efficient Metal Detection

Best for applications with metal either on or close to the conveyor belt.

The EMI flat bed, metal detection system is an excellent choice when tramp metal (both ferrous and non-ferrous) is free to fall either onto or close to the conveyor belt. The sensitivity of this type of system is greatest near the surface of the belt, and gradually decreases as the distance from the belt surface increases. **Cost is considerably LESS than an aperture style system.**

The system consists of three parts, a compact coil design flat bed detector which is installed directly beneath the conveyor belt, and a NEMA 4 enclosure which houses simple to use, single-board electronic controls. Sensitivity of the system can be easily adjusted to meet the needs of varying applications.

When metal is detected, the unit will stop the conveyor and signal an operator to remove the metal and reset the system. If automatic quality control is desired, the system can be combined with a parts diverter or reject chute to remove the suspect material.



*Flat Bed Metal Detector is installed directly below the conveyor belt*

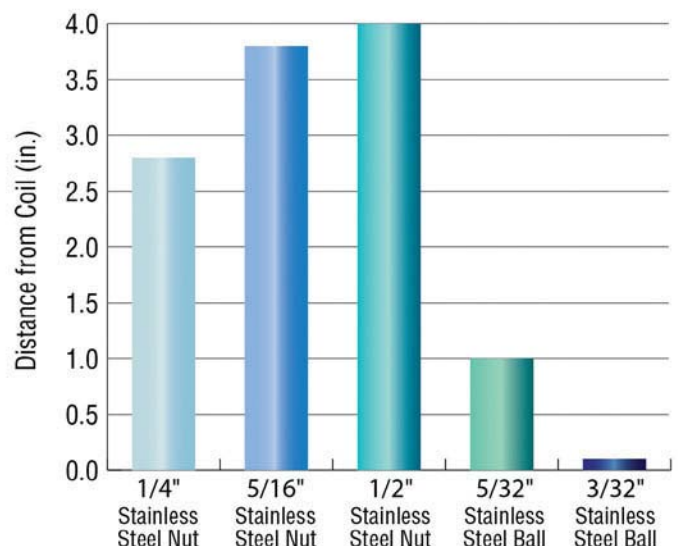


## Sensitivity

These graphs represents the test results on both styles of metal detectors mounted on an EMI conveyors. The graph indicates the detection capabilities of the detector based on the size of the metal part and the height of the aperture opening.

The test was performed with ferrous, non-ferrous and stainless steel to represent the wide range of metals that can be detected.

**Sensitivity Chart - Flat Bed Detector**



## Bumper Fascia Conveyor

EMI offers a number of conveyors, specifically developed to convey long parts. This conveyor was designed to move automobile bumper fascias that have been robotically placed. The system is adjustable to accommodate different sized bumpers.

### How it Works:

Automobile bumpers are placed onto two separate, but attached, conveyors. Special raised edge belting supports the molded bumpers. The space between the two conveyors is easily adjusted.



# Large Container Box Filling

## Large Container Box Filling

EMI can design and manufacture custom systems to meet your large container or tote filling requirements. From single station to multiple station filling EMI has the know-how to design a system to meet your requirements.



## Grinder Feeding Conveyors

Nose-Over Conveyors are frequently used for feeding grinders, because they assure that all of the scrap fully enters the feed hopper. Most molders consider this to be the safest way to feed scrap into large grinders.

Extra-large hoppers sometimes need legs to help support their weight and prevent the conveyor from tipping over. The legs on this hopper have castors to allow it to be easily moved when the conveyor is moved.



### Metal Detectors Protect Grinders

Metal Detecting conveyors are ideal for feeding granulators when tramp metal or inserts may be mixed in with the scrap. Depending upon the control system, detection of metal either stops the conveyor until it is reset, or reverses the belt until the scrap is removed. The conveyor's non-metallic center section is made of fiberglass, and reinforced with trusses to support the metal detector's weight.

Typical information required to mount a metal detector on an EMI conveyor:

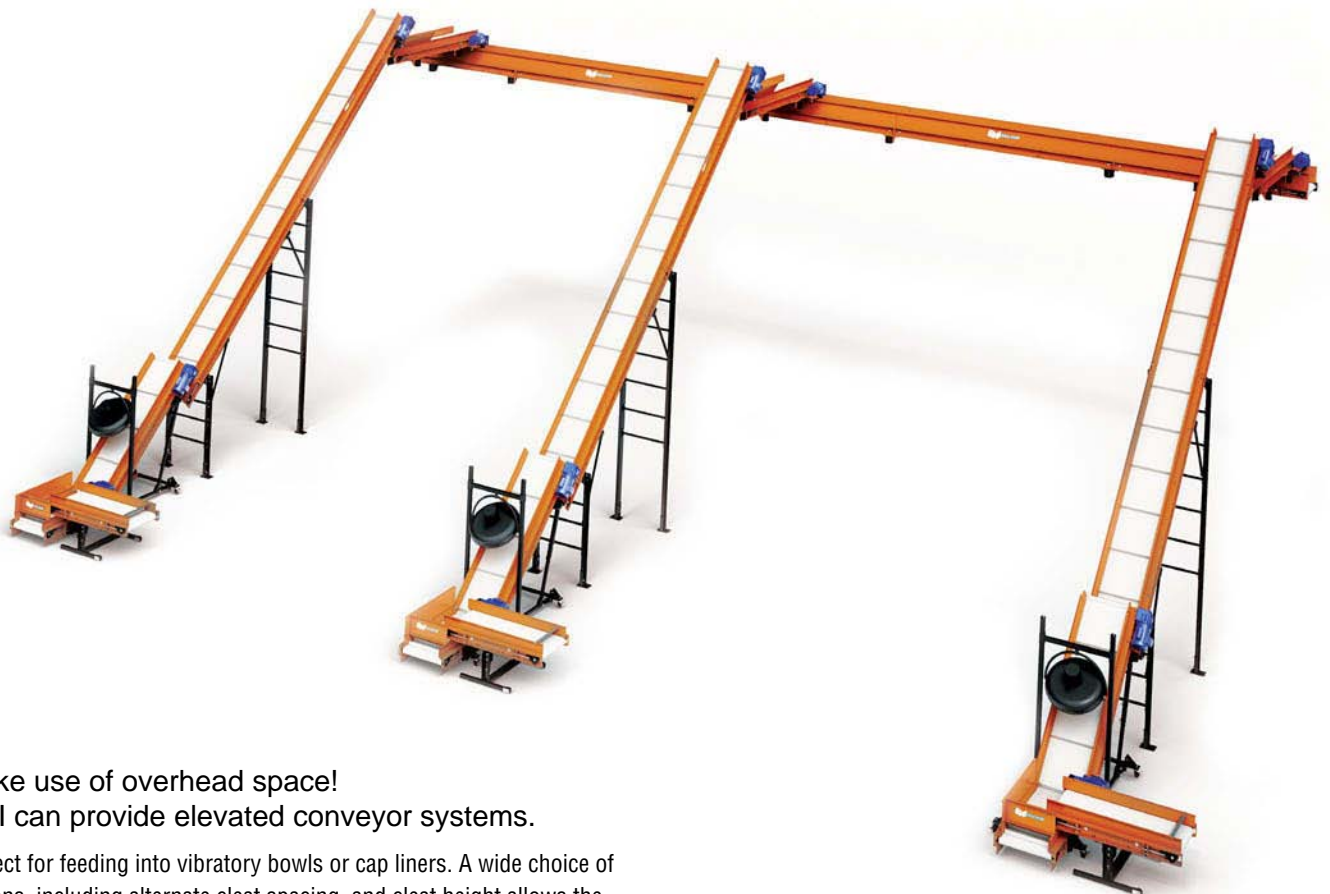
- What are the dimensions of the largest part or the most material you will feed to a grinder?
- How large is the metal you wish to detect? (i.e. pliers, inserts, staples etc.)
- Is the detected metal transported to a container or will it be taken off by hand?
- EMI may also mount different manufacturers' metal detectors, please call for assistance.





## Elevated Part Transfer

A Part Relay Station uses an elevator to raise full boxes of parts. The parts are placed on the elevator, conveyor platform and then raised. When the platform reaches the top, the conveyor platform activates and moves the parts to a 90° belt conveyor that moves the parts through the turn.



**Make use of overhead space!**  
EMI can provide elevated conveyor systems.

Perfect for feeding into vibratory bowls or cap liners. A wide choice of options, including alternate cleat spacing, and cleat height allows the EA model to be customized to meet a wide range of application needs.

## Precise Box Positioning

### Box Clamps and Pin Stops

Robotic Box Filling Conveyors can be configured to provide precise positioning for robotic filling. They can also be designed to be adjustable as future needs change.



### Adjustable Indexing Side Rails

This robotic application was designed to meet two specific box-filling configurations. It can also be easily adjusted to accommodate other box sizes and configurations.



# Precise Box Positioning



# Horsepower Determination Chart

For EA, RM, DDF, and ADF Flat Belt Conveyors 3' thru 50' Long and EAC, RMC, DDC, and ADC Cleated Belt Conveyors 3' thru 30' Long.

20FPM Belt Speed									
Conveyor Length	Conveyor Belt Width								
	6"	9"	12"	18"	24"	30"	36"	42"	48"
3'-9'									
20'-23'									
24'-27'									
28'-32'									
33'-40'									
41'-45'									
46'-49'									
50'									

3 1/2" Diameter Drive Pulley; 150# Maximum Load

40FPM Belt Speed									
Conveyor Length	Conveyor Belt Width								
	6"	9"	12"	18"	24"	30"	36"	42"	48"
3'-9'									
20'-23'									
24'-27'									
28'-32'									
33'-40'									
41'-45'									
46'-49'									
50'									

3 1/2" Diameter Drive Pulley; 150# Maximum Load

80FPM Belt Speed									
Conveyor Length	Conveyor Belt Width								
	6"	9"	12"	18"	24"	30"	36"	42"	48"
3'-9'									
20'-23'									
24'-27'									
28'-32'									
33'-40'									
41'-45'									
46'-49'									
50'									

3 1/2" Diameter Drive Pulley; 150# Maximum Load

For RMTL Trunkline Conveyors 51' thru 250' Long.

40FPM Belt Speed								
Conveyor Length	Conveyor Belt Width							
	12"	18"	24"	30"	36"	42"	48"	
51'-53'								
54'-62'								
63'-74'								
75'-78'								
79'-89'								
90'-93'								
94'-104'								
105'-124'								
125'-126'								
127'-158'								
159'-179'								
180'								

6" Diameter Drive Pulley; 250# Maximum Load

80FPM Belt Speed								
Conveyor Length	Conveyor Belt Width							
	12"	18"	24"	30"	36"	42"	48"	
181'-229'								
230'-250'								

8" Diameter Drive Pulley; 300# Maximum Load

80FPM Belt Speed								
Conveyor Length	Conveyor Belt Width							
	12"	18"	24"	30"	36"	42"	48"	
51'-54'								
55'-59'								
60'-69'								
70'-81'								
82'-83'								
84'-85'								
86'-98'								
99'-104'								
105'-114'								
115'-137'								
138'-139'								
140'-172'								
173'-179'								
180'								

6" Diameter Drive Pulley; 250# Maximum Load

80FPM Belt Speed								
Conveyor Length	Conveyor Belt Width							
	12"	18"	24"	30"	36"	42"	48"	
181'-229'								
230'-250'								

8" Diameter Drive Pulley; 300# Maximum Load

Note: Drives for heavier conveyor loads are readily available, consult EMI for details.

# Leg Location Charts

Leg dimensions measured from Tail to Drive.

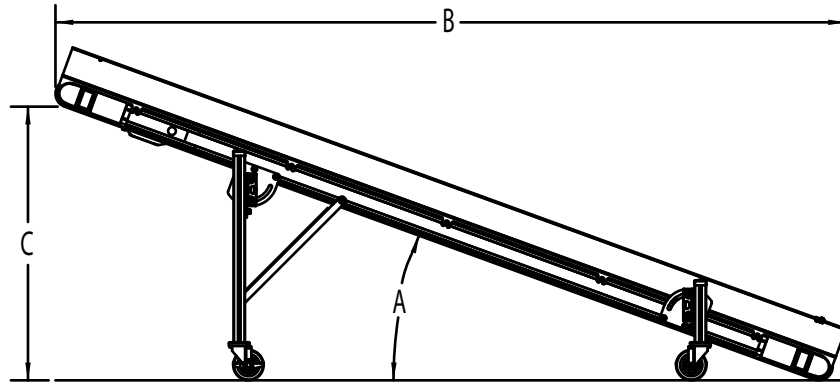
Models EAF and EAC			
Overall Conveyor Length	Number of Leg Sets	Leg #3	Leg #4
3'-14'	2	-	-
15'	3	90"	-
16'	3	96"	-
17'	3	102"	-
18'	3	108"	-
19'	3	114"	-
20'	3	120"	-
21'	3	126"	-
22'	3	132"	-
23'	3	138"	-
24'	3	144"	-
25'	4	100"	200"
26'	4	104"	208"
27'	4	108"	216"
28'	4	112"	224"
29'	4	116"	232"
30'	4	120"	240"

Models STL and STLC		
Overall Conveyor Length	Number of Leg Sets	Leg #3
3'-10'	2	-
11'-12'	3	72"
13'-14'	3	84"
15'-16'	3	96"
17'-18'	3	108"
19'-20'	3	120"

Models RM and RMC					
Overall Conveyor Length	Number of Leg Sets	Leg #3	Leg #4	Leg #5	Leg #6
3'-14'	2	-	-	-	-
15'-16'	3	96"	-	-	-
17'-18'	3	108"	-	-	-
19'-20'	3	120"	-	-	-
21'	3	126"	-	-	-
22'	3	132"	-	-	-
23'	3	138"	-	-	-
24'	3	144"	-	-	-
25'-26'	4	96"	216"	-	-
27'-28'	4	108"	228"	-	-
29'-30'	4	120"	240"	-	-
31'	4	126"	246"	-	-
32'	4	132"	252"	-	-
33'	4	138"	258"	-	-
34'	4	144"	264"	-	-
35'-36'	5	96"	216"	336"	-
37'-38'	5	108"	228"	348"	-
39'-40'	5	120"	240"	360"	-
41'	5	126"	246"	366"	-
42'	5	132"	252"	372"	-
43'	5	138"	258"	378"	-
44'	5	144"	264"	384"	-
45'-46'	6	96"	216"	336"	456"
47'-48'	6	108"	228"	348"	468"
49'-50'	6	120"	240"	360"	480"

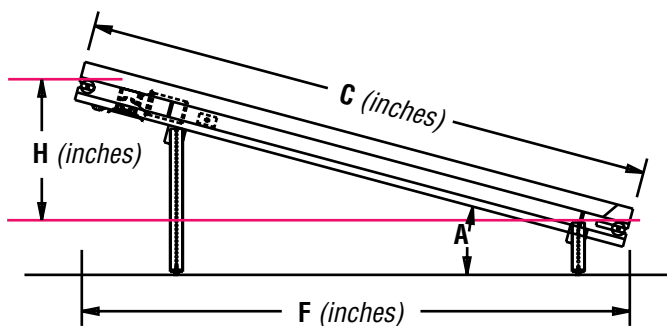
Models DDF and DDC			
Overall Conveyor Length	Number of Leg Sets	Leg #3	Leg #4
3'-10'	2	-	-
11'	3	71"	-
12'	3	77"	-
13'	3	83"	-
14'	3	89"	-
15'	3	95"	-
16'	3	101"	-
17'	3	107"	-
18'	3	113"	-
19'	3	119"	-
20'	3	125"	-
21'	4	95"	166"
22'	4	99"	174"
23'	4	103"	182"
24'	4	107"	190"
25'	4	111"	198"
26'	4	115"	206"
27'	4	119"	214"
28'	4	123"	222"
29'	4	127"	230"
30'	4	131"	238"

# Elevation & Floor Space



Conveyor Length	Angle of Incline (A) (Dimensions In Inches)											
	20°		25°		30°		35°		40°		45°	
	B	C	B	C	B	C	B	C	B	C	B	C
3'	38	12	37	15	37	18	36	21	35	23	33	25
4'	49	16	48	20	47	24	46	28	44	31	41	34
5'	60	21	59	25	57	30	55	34	53	39	50	42
6'	72	25	70	30	68	36	65	41	62	46	58	51
7'	83	29	81	35	78	42	75	48	71	54	67	59
8'	94	33	92	41	89	48	85	55	80	62	75	68
9'	105	37	103	46	99	54	95	62	90	69	84	76
10'	117	41	113	51	109	60	105	69	99	77	92	85
11'	128	45	124	56	120	66	114	76	108	85	101	93
12'	139	49	135	61	130	72	124	83	117	93	109	102
13'	151	53	146	66	141	78	134	89	126	100	118	110
14'	162	57	157	71	151	84	144	96	136	108	126	119
15'	173	62	168	76	161	90	154	103	145	116	135	127
16'	184	66	179	81	172	96	164	110	154	123	143	136
17'	196	70	190	86	182	102	173	117	163	131	152	144
18'	207	74	200	91	193	108	183	124	172	139	160	153
19'	218	78	211	96	203	114	193	131	182	147	169	161
20'	229	82	222	101	213	120	203	138	191	154	177	170
21'	241	86	233	107	224	126	213	145	200	162	186	178
22'	252	90	244	112	234	132	222	151	209	170	194	187
23'	263	94	255	117	245	138	232	158	218	177	203	195
24'	275	99	266	122	255	144	242	165	228	185	211	204
25'	286	103	277	127	265	150	252	172	237	193	220	212
26'	297	107	287	132	276	156	262	179	246	201	228	221
27'	308	111	298	137	286	162	272	186	255	208	237	229
28'	320	115	309	142	296	168	281	193	264	216	245	238
29'	331	119	320	147	307	174	291	200	274	224	254	246
30'	342	123	331	152	317	180	301	206	283	231	262	255

## Elevation & Floor Space Formulas for All Incline Conveyors



Known:	Want to Find: (All Dimensions in Inches)			
	A	H	F	C
H, F	$(H/F) \text{ ATAN}$			$\text{SQRT}(H^2 + F^2)$
H, C	$(H/C) \text{ ATAN}$		$\text{SQRT}(C^2 - H^2)$	
A, H				$H / \sin A$
A, F		$F (\tan A)$		$F / \cos A$
A, C		$C (\sin A)$	$C (\cos A)$	

# Accumulation Hoppers



EMI offers a complete line of Standard Accumulation Hoppers.

EMI accumulation hoppers are available in a wide selection of capacities, sized to fit belt conveyor widths from 6" through 48". To assure the correct selection, a sufficient sample of molded parts should be provided to EMI for evaluation. Accumulation hoppers can be supplied in stainless steel or carbon steel (painted on the outside only). Custom hoppers can also be provided.

*A Model RMC-18-10-20 conveyor (set at a 45° angle) with optional castors and a 5 cubic foot capacity stainless steel infeed hopper.*



## Accumulation Hopper Selection:

Based on the belt width and angle of the conveyor selected, part size and flowability, determine the amount of inventory required in the hopper, (which can be moved away before the hopper is filled). Samples and discussions with EMI can help in determining the proper hopper model.

*A Model RMC-18-10-20 conveyor (set at a 30° angle) with optional castors and a 20 cubic foot capacity stainless steel infeed hopper.*

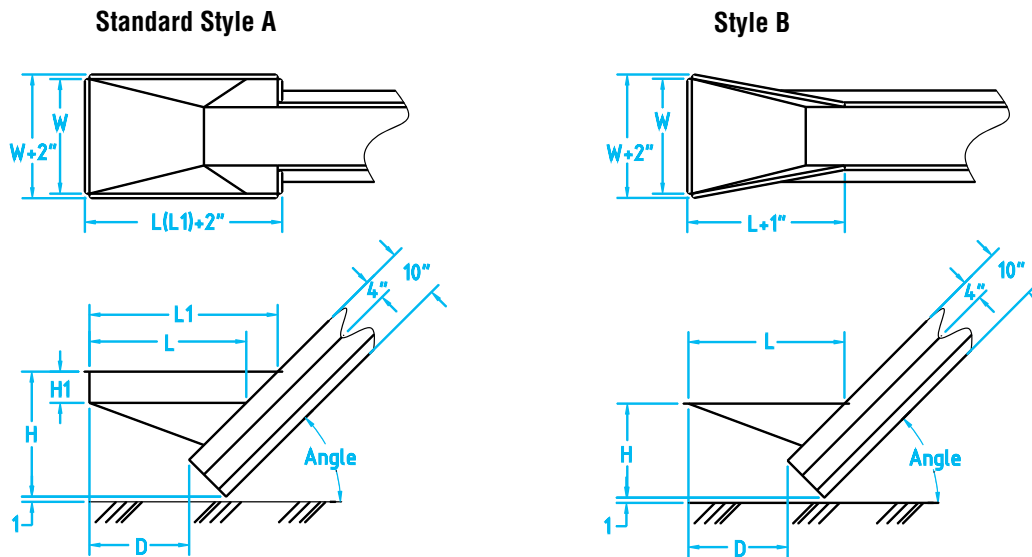
See pages 131 for examples of Specialty Hoppers

See next page for sizes and dimensions.

Accumulation Hopper Capacities (cubic feet)										
	Conveyor Belt Widths									Capacities shown are for the following conveyor angles: 20°, 25°, 30°, 35°, 40° & 45°.
	6"	9"	12"	18"	24"	30"	36"	42"	48"	
H-8 Hopper	.8	1.0	1.2	1.6	2.0	2.4	2.8	3.2	3.6	
H-9 Hopper	1.7	2.0	2.4	3.1	3.8	4.5	5.2	5.9	6.6	
H-10 Hopper	2.8	3.4	4.1	5.4	6.7	8.0	9.3	10.6	11.9	
H-11 Hopper	5.2	6.2	7.2	9.2	11.2	13.2	15.0	17.2	19.2	
H-12 Hopper	8.4	10.1	11.8	15.2	18.6	22.0	25.4	28.8	32.2	
H-13 Hopper	11.8	13.9	16.1	20.4	24.7	29.0	33.3	37.6	41.9	

NOTE: For Style "A" hoppers only. Call 216-535-4848 for more hopper capacities.

## Accumulation Hoppers – for Extruded Aluminum (EA), Signature and Merit Line Conveyors



### 4" FRAME CONVEYORS

DIMENSIONS FOR 20° HOPPER						
Style	Option No.	D	H	H1	L	L1
A	H8-WIDTH-20	8.6	18	0	32	0
B	H8B-WIDTH-20	8.6	18	0	32	0
A	H9-WIDTH-20	5.4	22	0	40	0
B	H9B-WIDTH-20	5.4	22	0	40	0
A	H10-WIDTH-20	6	25	3	0	49
B	H10B-WIDTH-20	6	25	0	49	0
A	H11-WIDTH-20	3.4	30	7.5	0	60
B	H-11B-WIDTH-20	3.4	30	0	60	0
A	H12-WIDTH-20	9.4	34	12	0	77
B	H12B-WIDTH-20	9.4	34	0	77	0
A	H13-WIDTH-20	7.4	38	12	0	86
B	H13B-WIDTH-20	7.4	38	0	86	0

DIMENSIONS FOR 30° HOPPER						
Style	Option No.	D	H	H1	L	L1
A	H8-WIDTH-30	15.7	18	0	32	0
B	H8B-WIDTH-30	15.7	18	0	32	0
A	H9-WIDTH-30	3.6	25	0	32	0
B	H9B-WIDTH-30	3.6	25	0	32	0
A	H10-WIDTH-30	2.7	29	3.5	0	38
B	H10B-WIDTH-30	2.7	29	0	38	0
A	H11-WIDTH-30	3.4	35	9.5	0	49
B	H-11B-WIDTH-30	3.4	35	0	49	0
A	H12-WIDTH-30	13.4	39	10	0	66
B	H12B-WIDTH-30	13.4	39	0	66	0
A	H13-WIDTH-30	13.7	44	12	0	75
B	H13B-WIDTH-30	13.7	44	0	75	0

DIMENSIONS FOR 25° HOPPER						
Style	Option No.	D	H	H1	L	L1
A	H8-WIDTH-25	12.7	18	0	32	0
B	H8B-WIDTH-25	12.7	18	0	32	0
A	H9-WIDTH-25	12.2	22	0	40	0
B	H9B-WIDTH-25	12.2	22	0	40	0
A	H10-WIDTH-25	12.7	25	3	0	47
B	H10B-WIDTH-25	12.7	25	0	47	0
A	H11-WIDTH-25	13	30	8	0	58
B	H-11B-WIDTH-25	13	30	0	58	0
A	H12-WIDTH-25	8	38	12	0	70
B	H12B-WIDTH-25	8	38	0	70	0
A	H13-WIDTH-25	15.7	39	12	0	80
B	H13B-WIDTH-25	15.7	39	0	80	0

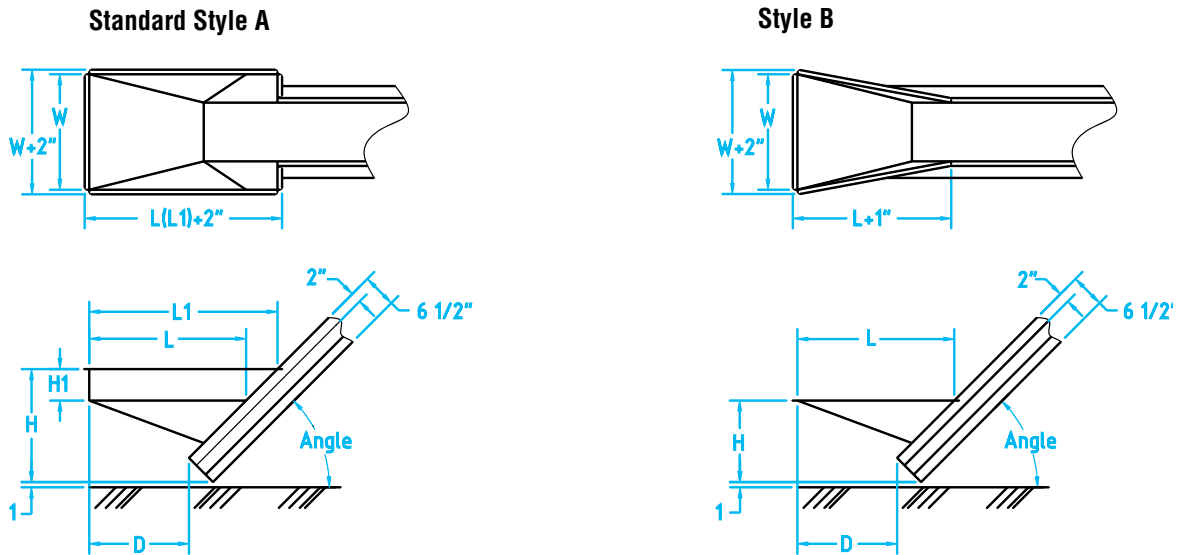
DIMENSIONS FOR 35° HOPPER						
Style	Option No.	D	H	H1	L	L1
A	H8-WIDTH-35	18	18	0	32	0
B	H8B-WIDTH-35	18	18	0	32	0
A	H9-WIDTH-35	4.5	26	0	30	0
B	H9B-WIDTH-35	4.5	26	0	30	0
A	H10-WIDTH-35	4.7	30	4	0	36
B	H10B-WIDTH-35	4.7	30	0	36	0
A	H11-WIDTH-35	5.2	36	10	0	45
B	H-11B-WIDTH-35	5.2	36	0	45	0
A	H12-WIDTH-35	5.4	45	6	0	58
B	H12B-WIDTH-35	5.4	45	0	58	0
A	H13-WIDTH-35	5.2	50	11	0	65
B	H13B-WIDTH-35	5.2	50	0	65	0

DIMENSIONS FOR 45° HOPPER						
Style	Option No.	D	H	H1	L	L1
A	H8-WIDTH-45	19	18	0	30	0
B	H8B-WIDTH-45	19	18	0	30	0
A	H9-WIDTH-45	11	26	0	30	0
B	H9B-WIDTH-45	11	26	0	30	0
A	H10-WIDTH-45	11	30	4	0	34
B	H10B-WIDTH-45	11	30	0	34	0
A	H11-WIDTH-45	11	37	10.5	0	41
B	H-11B-WIDTH-45	11	37	0	41	0
A	H12-WIDTH-45	13	48	6	0	54
B	H12B-WIDTH-45	13	48	0	54	0
A	H13-WIDTH-45	13	53	11	0	59
B	H13B-WIDTH-45	13	53	0	59	0

DIMENSIONS FOR 40° HOPPER						
Style	Option No.	D	H	H1	L	L1
A	H8-WIDTH-40	17.6	18	0	30	0
B	H8B-WIDTH-40	17.6	18	0	30	0
A	H9-WIDTH-40	8	26	0	30	0
B	H9B-WIDTH-40	8	26	0	30	0
A	H10-WIDTH-40	8.4	30	4	0	35
B	H10B-WIDTH-40	8.4	30	0	35	0
A	H11-WIDTH-40	8	36	10	0	42
B	H-11B-WIDTH-40	8	36	0	42	0
A	H12-WIDTH-40	7	48	6	0	55
B	H12B-WIDTH-40	7	48	0	55	0
A	H13-WIDTH-40	7	53	11	0	61
B	H13B-WIDTH-40	7	53	0	61	0



## Accumulation Hoppers – for Trim Line Conveyors



### 2½" FRAME TRIM LINE CONVEYORS

DIMENSIONS FOR 20° HOPPER							DIMENSIONS FOR 25° HOPPER							DIMENSIONS FOR 30° HOPPER						
Style	Option No.	D	H	H1	L	L1	Style	Option No.	D	H	H1	L	L1	Style	Option No.	D	H	H1	L	L1
A	H8-WIDTH-20	8.6	14.7	0	32	0	A	H8-WIDTH-25	12.7	14.8	0	32	0	A	H8-WIDTH-30	15.7	15	0	32	0
B	H8B-WIDTH-20	8.6	14.7	0	32	0	B	H8B-WIDTH-25	12.7	14.8	0	32	0	B	H8B-WIDTH-30	15.7	15	0	32	0
A	H9-WIDTH-20	5.4	18.7	0	40	0	A	H9-WIDTH-25	12.2	18.8	0	40	0	A	H9-WIDTH-30	3.6	22	0	32	0
B	H9B-WIDTH-20	5.4	18.7	0	40	0	B	H9B-WIDTH-25	12.2	18.8	0	40	0	B	H9B-WIDTH-30	3.6	22	0	32	0
A	H10-WIDTH-20	6	21.7	3	0	49	A	H10-WIDTH-25	12.7	21.8	3	0	47	A	H10-WIDTH-30	2.7	26	3.5	0	38
B	H10B-WIDTH-20	6	21.7	3	49	0	B	H10B-WIDTH-25	12.7	21.8	0	47	0	B	H10B-WIDTH-30	2.7	26	0	38	0
A	H11-WIDTH-20	3.4	26.7	7.5	0	60	A	H11-WIDTH-25	13	26.8	8	0	58	A	H11-WIDTH-30	3.4	32	9.5	0	49
B	H-11B-WIDTH-20	3.4	26.7	0	60	0	B	H-11B-WIDTH-25	13	26.8	0	58	0	B	H-11B-WIDTH-30	3.4	32	0	49	0
A	H12-WIDTH-20	9.4	30.7	12	0	77	A	H12-WIDTH-25	8	34.8	12	0	70	A	H12-WIDTH-30	13.4	36	10	0	66
B	H12B-WIDTH-20	9.4	30.7	0	77	0	B	H12B-WIDTH-25	8	34.8	0	70	0	B	H12B-WIDTH-30	13.4	36	0	66	0
A	H13-WIDTH-20	7.4	34.7	12	0	86	A	H13-WIDTH-25	15.7	35.8	12	0	80	A	H13-WIDTH-30	13.7	41	12	0	75
B	H13B-WIDTH-20	7.4	34.7	0	86	0	B	H13B-WIDTH-25	15.7	35.8	0	80	0	B	H13B-WIDTH-30	13.7	41	0	75	0

DIMENSIONS FOR 35° HOPPER							DIMENSIONS FOR 40° HOPPER							DIMENSIONS FOR 45° HOPPER						
Style	Option No.	D	H	H1	L	L1	Style	Option No.	D	H	H1	L	L1	Style	Option No.	D	H	H1	L	L1
A	H8-WIDTH-35	18	15.1	0	32	0	A	H8-WIDTH-40	17.6	15.3	0	30	0	A	H8-WIDTH-45	19	18	0	30	0
B	H8B-WIDTH-35	18	15.1	0	32	0	B	H8B-WIDTH-40	17.6	15.3	0	30	0	B	H8B-WIDTH-45	19	18	0	30	0
A	H9-WIDTH-35	4.5	23.1	0	30	0	A	H9-WIDTH-40	8	23.3	0	30	0	A	H9-WIDTH-45	11	26	0	30	0
B	H9B-WIDTH-35	4.5	23.1	0	30	0	B	H9B-WIDTH-40	8	23.3	0	30	0	B	H9B-WIDTH-45	11	26	0	30	0
A	H10-WIDTH-35	4.7	27.1	4	0	36	A	H10-WIDTH-40	8.4	27.3	4	0	35	A	H10-WIDTH-45	11	30	4	0	34
B	H10B-WIDTH-35	4.7	27.1	0	36	0	B	H10B-WIDTH-40	8.4	27.3	0	35	0	B	H10B-WIDTH-45	11	30	0	34	0
A	H11-WIDTH-35	5.2	33.1	10	0	45	A	H11-WIDTH-40	8	33.3	10	0	42	A	H11-WIDTH-45	11	37	10.5	0	41
B	H-11B-WIDTH-35	5.2	33.1	0	45	0	B	H-11B-WIDTH-40	8	33.3	0	42	0	B	H-11B-WIDTH-45	11	37	0	41	0
A	H12-WIDTH-35	5.4	42.1	6	0	58	A	H12-WIDTH-40	7	45.3	6	0	55	A	H12-WIDTH-45	13	48	6	0	54
B	H12B-WIDTH-35	5.4	42.1	0	58	0	B	H12B-WIDTH-40	7	45.3	0	55	0	B	H12B-WIDTH-45	13	48	0	54	0
A	H13-WIDTH-35	5.2	47.1	11	0	65	A	H13-WIDTH-40	7	50.3	11	0	61	A	H13-WIDTH-45	13	53	11	0	59
B	H13B-WIDTH-35	5.2	47.1	0	65	0	B	H13B-WIDTH-40	7	50.3	0	61	0	B	H13B-WIDTH-45	13	53	0	59	0

# HOW-TO

# Conveyor Videos from EMI

We hope these videos can act as a guide and help you maintain your EMI Conveyor System. They are complete with step-by-step instructions that you to pause and rewind in case you need time to review.

**Visit and subscribe** to EMI's YouTube channel to watch the latest videos!

[www.youtube.com/EMICorpVideo](http://www.youtube.com/EMICorpVideo)





## EMI® Online Bookshelf

**Find all EMI catalogs, manuals and brochures in one place!  
View, shop, download and more!**

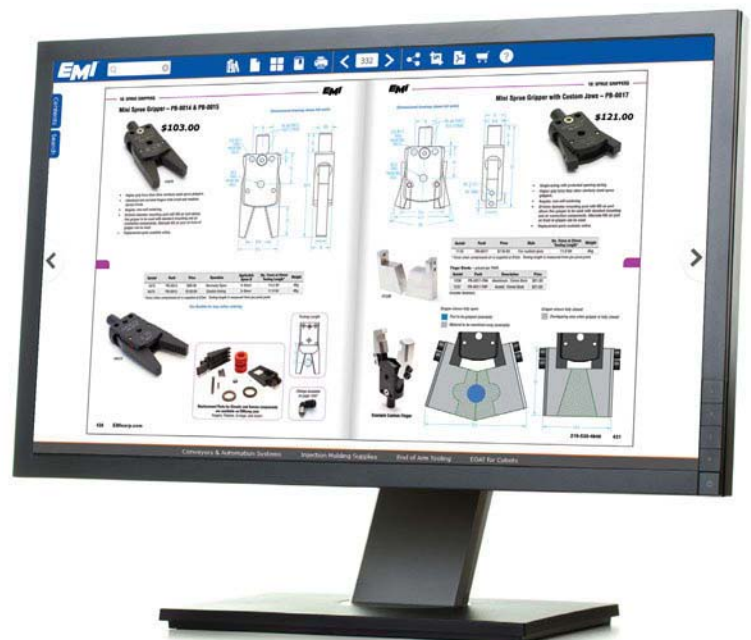
Using EMI's interactive catalogs are just like paging through our paper catalog – but with added benefits. Hotlinks in the table of contents and product sections make navigation easy and fast. Try EMI's interactive online catalogs today!

### Access EMI's online catalogs for these added features:

- Updates and new products
- Direct links to online ordering and forms
- Search the catalog by Quick# or Part#
- Print and download the catalog to your desktop

### From there, access your personal online shopping account:

- Quickly check prices and item availability
- View order history and status
- Mark your favorite items for quick reordering
- Simple and fast follow-up from EMI sales staff



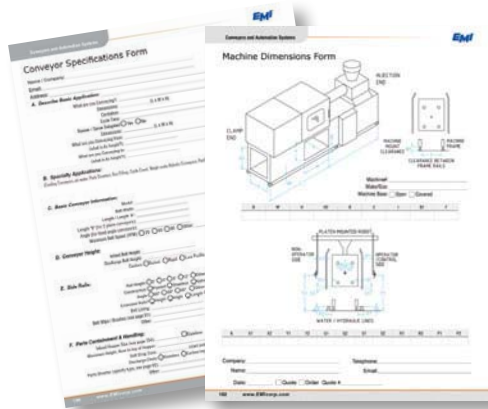
<https://catalogs.emicorp.com/>



**Are you ready to get started on your next conveyor order?**

Put our expertise to work for you!

**Contact our Sales Department to get the belt moving!**



***Conveyor Order Forms are online and can be submitted by email.***

***Maintenance manuals, how-to videos, installation instructions, exploded views with parts lists and more can be found on our website.***

[Click here!](#)



**Manufacturing & Engineering**

801 West Pike Street  
Jackson Center, Ohio 45334

**Sales & Customer Service**

28300 Euclid Avenue  
Wickliffe, Ohio 44092

**EMI Mexico**

Ventas@EMlcorp.com  
+52 (442) 349-7646



EMlcorp.com



216.535.4848



Live Chat



Sales@EMlcorp.com