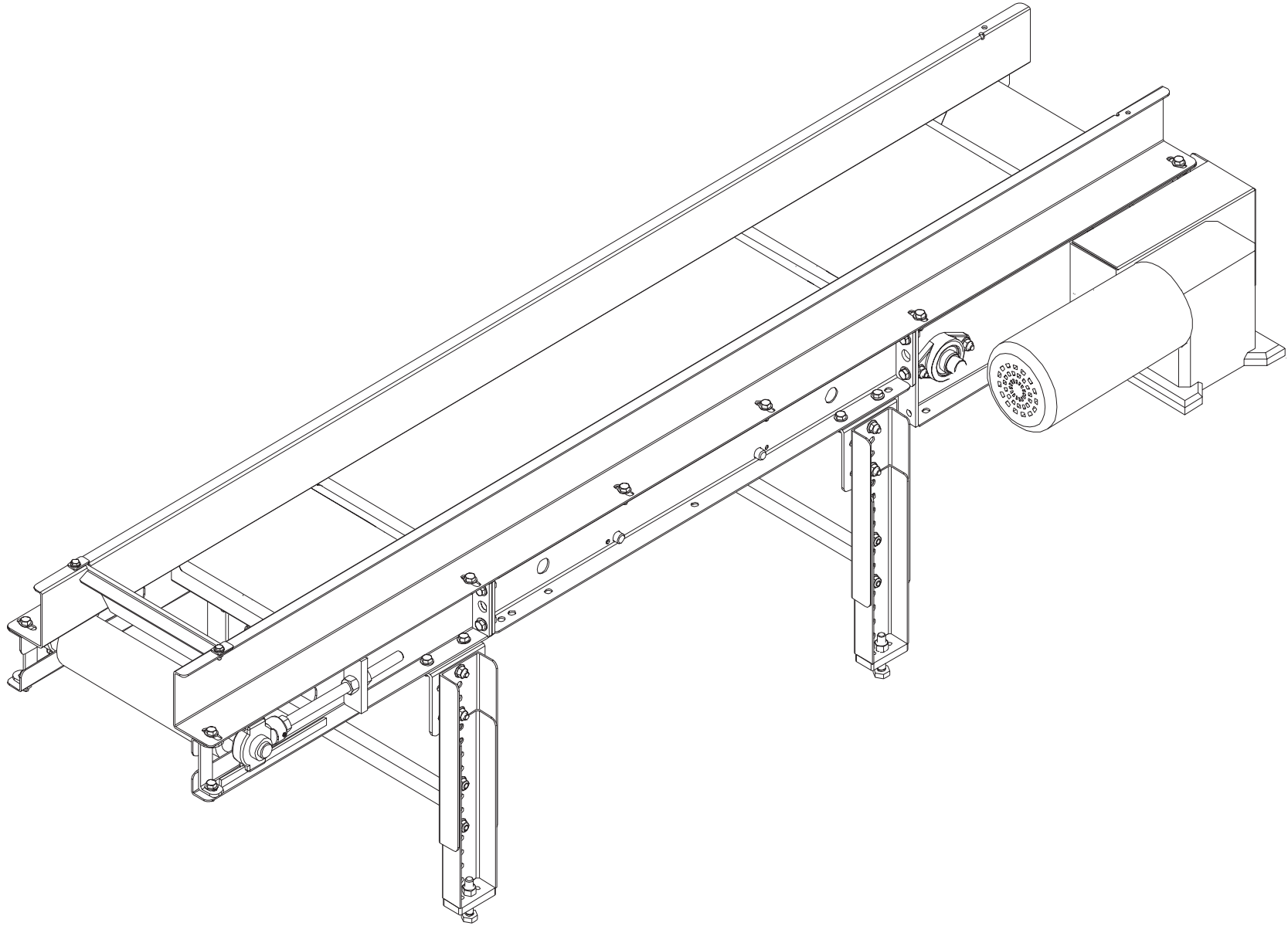


SECTION VIII. PARTS LISTS AND 3-D DRAWINGS

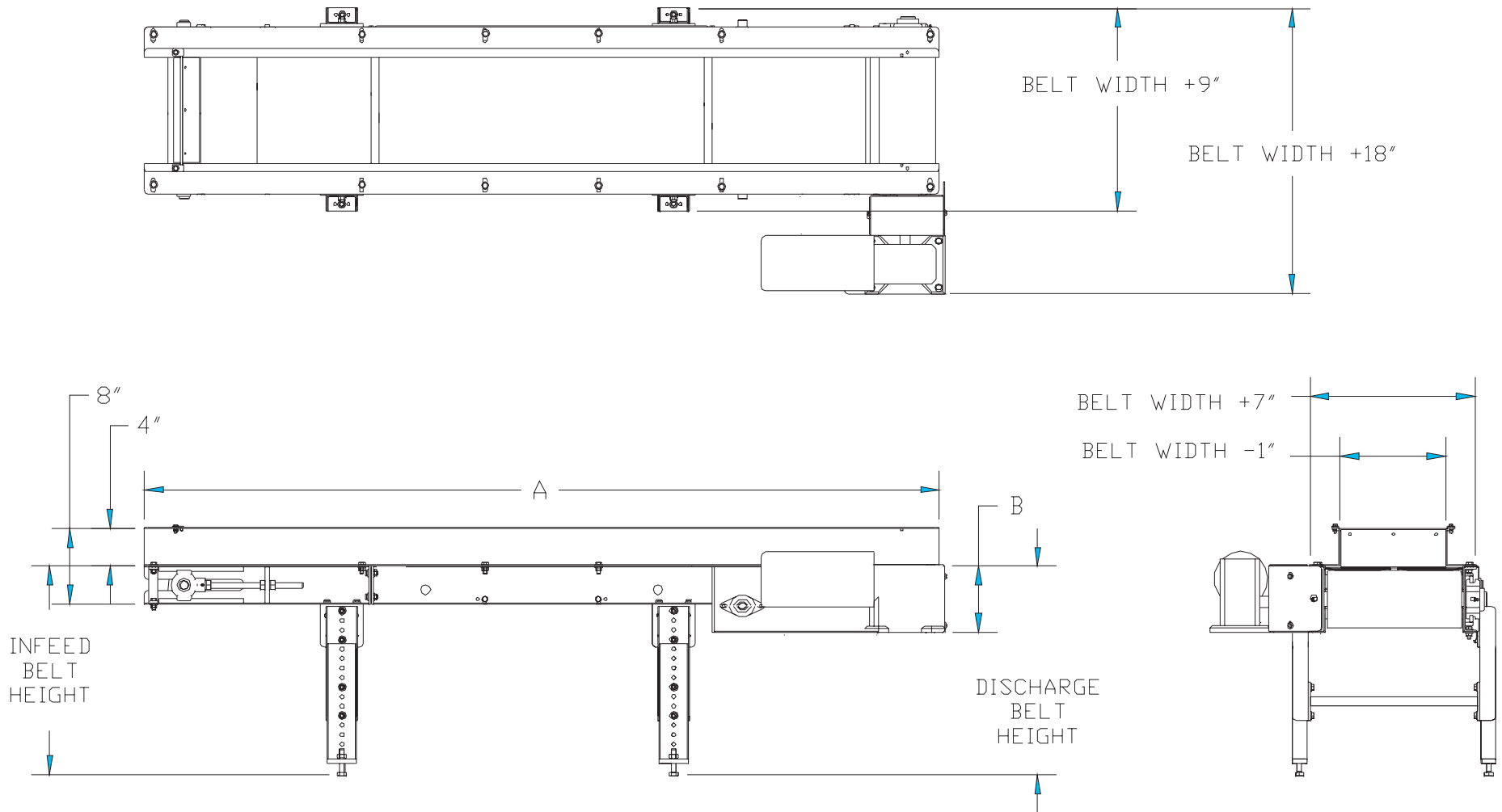
RMTL CONVEYOR - ASSEMBLED VIEW



SECTION VIII. PARTS LISTS AND 3-D DRAWINGS

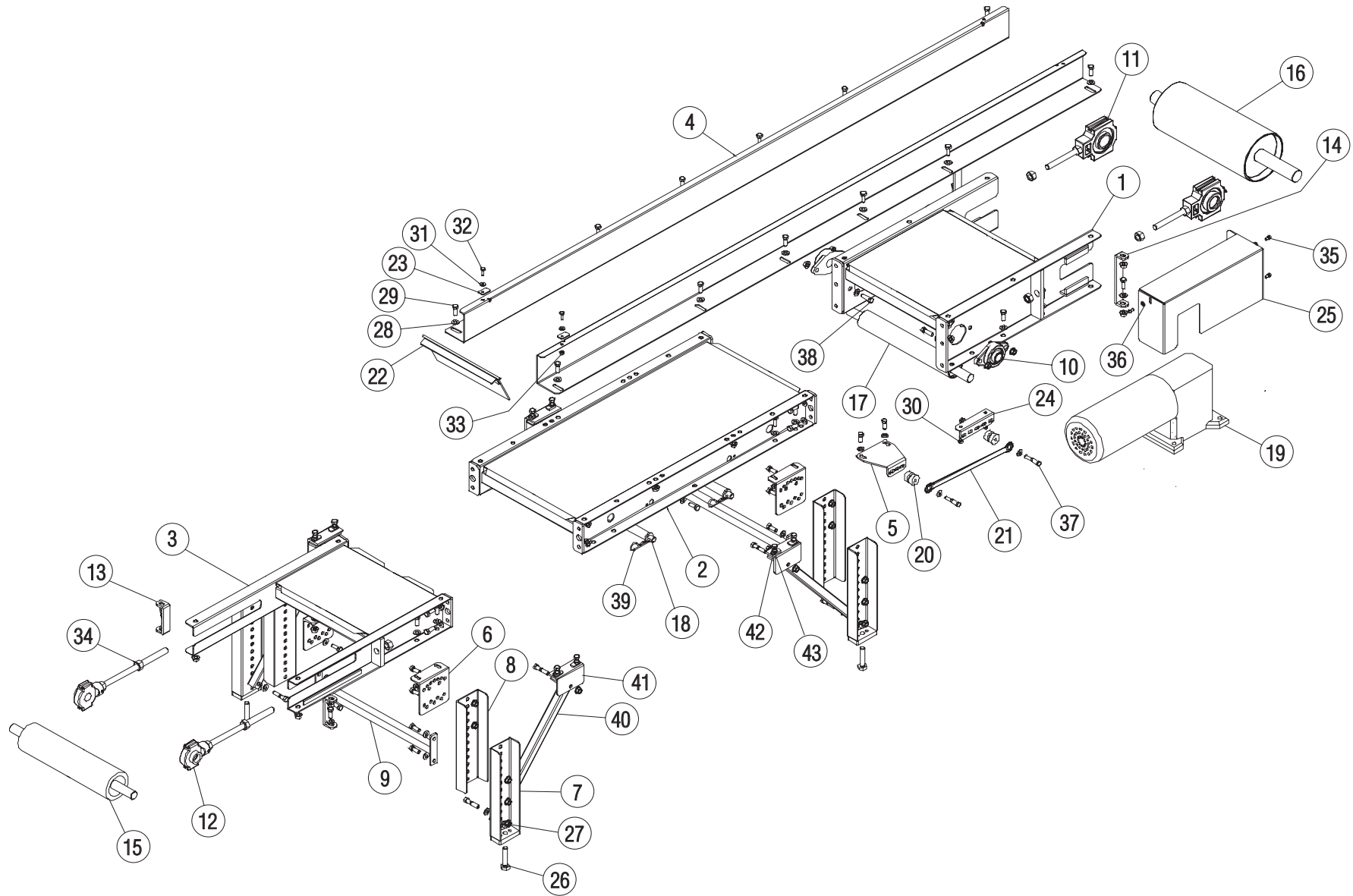
RMTL CONVEYOR - CATALOG VIEW

NOTE: "B" DIMENSION THICKNESS OF FRAME SECTION IS 7"
FOR 51' THROUGH 180' LONG CONVEYORS; 9" FOR 181'
THROUGH 250' LONG CONVEYORS



SECTION VIII. PARTS LISTS AND 3-D DRAWINGS

RMTL CONVEYOR - EXPLODED VIEW



RMTL CONVEYOR PARTS LIST

ITEM	QTY	PART DESCRIPTION	EMI P/N
1	1	TRUNK-LINE DRIVE HEAD	4E-204-3-W
2	1	FRAME ASSY	4E-206-L-W
3	1	TRUNK-LINE TAIL SECTION	4E-258-3-W
4	2	SIDE RAIL	4E-33-L
5	1	MOTOR & REDUCER SUPPORT	See BOM
6	4	LEG MOUNTING BRACKET	4E-14-3
7	4	LEG WELD ASSY	SEE CHART
8	4	LEG EXTENSION	SEE CHART
9	2	LEG BRACE ASSY	4E-241-1-W
10	2	FLANGED BEARING	CP-834
11	2	TAIL PULLEY TAKE-UP BEARING (DRIVE)	4E-232-2
12	2	TRUNK-LINE DRIVE BEARING TAKE-UP (TAIL)	4E-232-1
13	2	END BRACKET	4E-14-1
14	2	TRUNK-LINE TAKE-UP BEARING	4E-14-17
15	1	6"-18": 2E-210-5-2 TAIL PULLEY ASSY 24"-48": 2E-210-4-W	
16	1	TRUNK-LINE DRIVE PULLEY	2E-210-2-W
17	1	TRUNK-LINE IDLER ROLLER ASSY	2E-215-2-W
18	2	SHAFT: 4E-21-3-W IDLER ROLLER ASSY ROLLER: 2E-240-1-W	
19	1	MOTOR & REDUCER	See BOM
20	1	SPROCKET	See BOM
21	1	SPROCKET	See BOM

ITEM	QTY	PART DESCRIPTION	EMI P/N
22	1	FLAPPER ASSY	2E-249-5-W
23	2	FLAPPER CLIP	2E-01-10
24	1	CHAIN GUARD ASSY	SEE BOM
25	1	CHAIN GUARD COVER	SEE BOM
26	4	1/2-13 x 2 HEX BOLT	CP-134
27	4	1/2-13 NUT	CP-508
28	60	3/8 WASHER	CP-662
29	52	3/8-24 x 1 HEX BOLT	CP-141
30	60	3/8-24 NUT	CP-521
31	6	1/4 WASHER	CP-654
32	4	1/4-28 x 3/4 HEX BOLT	CP-125
33	4	1/4-28 NUT	CP-517
34	8	5/8-11 HEX NUT	CP-505
35	3	1/4-20 x 3/4 SLOTTED ROUND HEAD CAP SCREW	CP-2305
36	1	1/4 WASHER	CP-654
37	4	3/8-24 x 1-1/2 HEX BOLT	CP-137
38	4	3/8-24 x 1-1/4 HEX BOLT	CP-128
39	4	SPRING PIN	CP-1285
40	4	LEG BRACE	See Next Pg.
41	4	LEG BRACE SUPPORT	4E-241-2
42	8	3/8-16 X 1 SQ HD CUP POINT SET SCREW	CP-203
43	8	3/8-16 JAM NUT	CP-531

Part numbers listed in this document are for reference only. When buying replacement parts please provide your conveyor model & serial number to ensure the correct part.

RMTL CONVEYOR PARTS LIST - ADDITIONAL ITEMS

Item #40:

18"	4E-41-29
26"	4E-41-5
38"	4E-41-6
69"	4E-41-7