

CATALOG
C24

EMI[®]

CONVEYORS &
AUTOMATION SYSTEMS



Clean Room Aluminum Frame Conveyors

Minimizing grease, oil, dirt and debris in a sanitary environment can be one of the biggest challenges for medical molders. EMI designed conveyors that offer a high-quality, economical solution for automating clean room facilities. These standard conveyors can be customized with several available options to better suit a molder's specific needs.

Our clean conveyors' sturdy construction makes them reliable and durable even under the most demanding applications. A 3-year warranty is included, see page 3.



Clean Room Features:

Corrosion Resistant: Aluminum framing and stainless steel guarding and legs resist corrosion and eliminate paint-chip contamination.

USDA/FDA Approved Belting Material

Direct Drive Package: Replaces leak-prone, chain-driven systems.

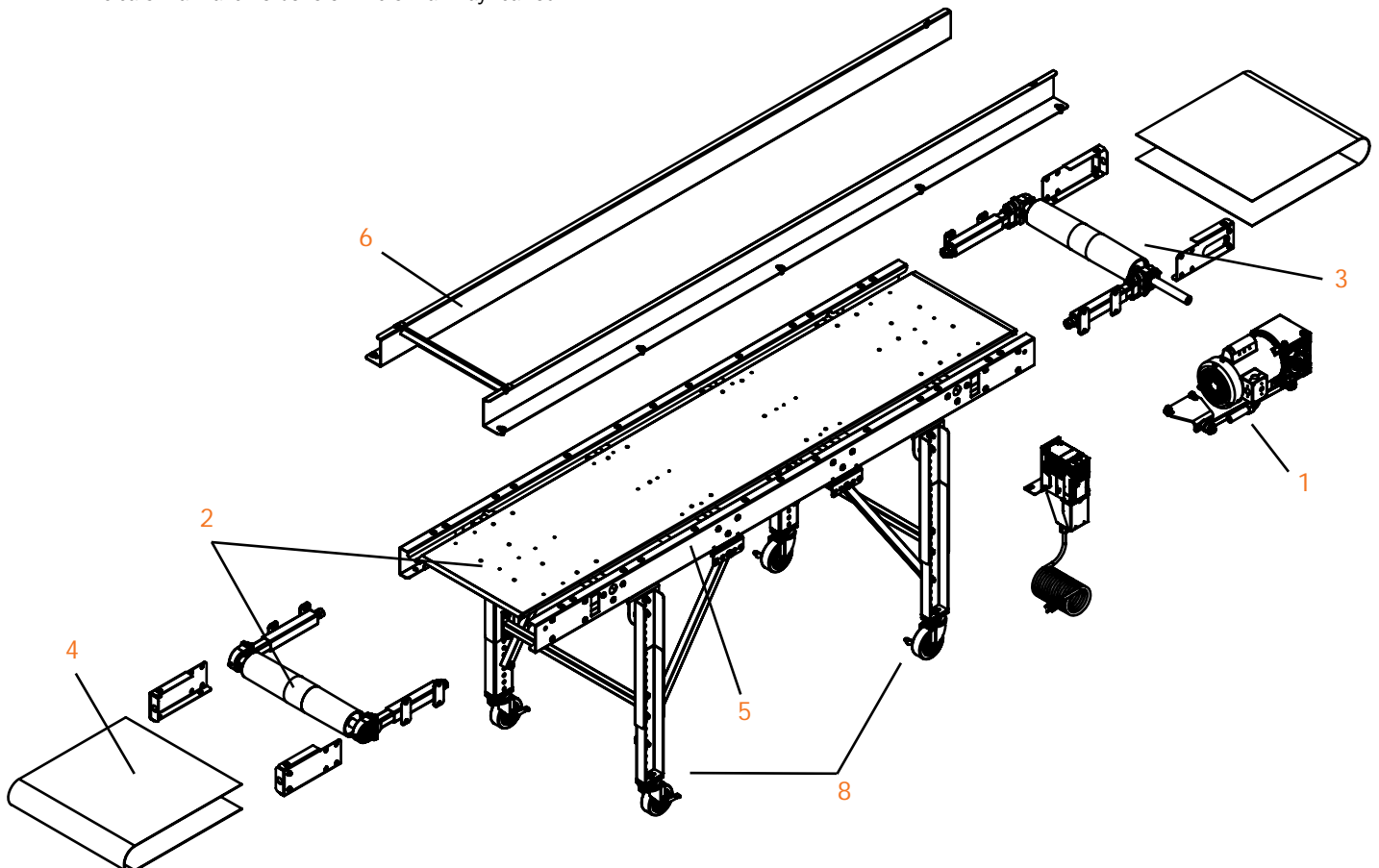
Open-Construction Slide Bed: With UHMW contact strips eliminates places where abrasive debris can collect.

Sealed Bearings: Reduces the possibility of lubricant leaks.

Semi-Modular Construction: EMI belt conveyors are built in sections to allow future changes in belt length, if desired.

EMI Clean Room, Aluminum Frame Belt Conveyor Specifications

- 1 **Drive Package:** The Direct Drive package includes a 1/3 hp 110V input AC TEFC motor (110V input with 230/60/3 output to motor) with a 4–40 FPM variable speed controller. The gear reducer is sealed and permanently lubricated requiring no service. Power transmission is provided via direct drive configuration. 15' of SJ cord with a standard three-prong plug is pre-wired to the starter. Control wiring is contained in liquid-tight conduit and connectors. Drive packages 3'–30' long have 150 lb. maximum load.
- 2 **Belt Guidance:** True Track Belt Guidance System comes standard on 3'–30' long conveyors. Using a Double V-guide slot in the frame, 1/4" wall crowned pulleys, and bonded Double V-guide belting, "True Track" minimizes belt run off and reduces belt tracking maintenance.
- 3 **Pulleys:** To ensure long-lived operation, 3½" diameter crowned pulleys incorporate 1" diameter shafts, self-aligning sealed ball bearings with eccentric locking collars, telescopic take-up adjustment, position locking nuts, and Zerk grease fittings.
- 4 **Belting:** Our easy to clean, FDA approved, white, PVC belting with staple-type belt lacing (which prevents lacing pullout and splice failure), makes belt maintenance quick and easy. Inclined conveyors have a bottom cleat support plate and bonded flexible cleats that have no bolts or rivets that may tear out.
- 5 **Frame:** 1/8" anodized sheet aluminum for greater portability, and built to withstand heavy-duty industrial wear.
- 6 **Rails:** The standard 1/8" anodized aluminum 4" rails so that they overlap the belt to ensure molded pieces do not get pinched, damaged, or lost between the rail and belt. To keep your molded parts contained on the infeed end of the conveyor, we include an infeed-end backpiece.
- 7 **Shipment:** Generally conveyors 3'–10' are shipped fully assembled, pre-wired, tested, and ready to run (legs must be attached). Conveyors 11' and over are shipped partially assembled to minimize shipping damage. Some frame and belt assembly is required; drive packages and system panels are pre-assembled and tested. For your convenience, arrangements can be made for longer conveyors to be shipped assembled.
- 8 **Leg Sets:** Adjustable stainless steel leg sets and locking swivel castors are included as standard on all clean room conveyors. Belt height must be specified.



Clean Room Conveyor ACRF Aluminum Frame | Flat Belt

Standard belt widths: 6", 9", 12", 18", 24", 30", 36"

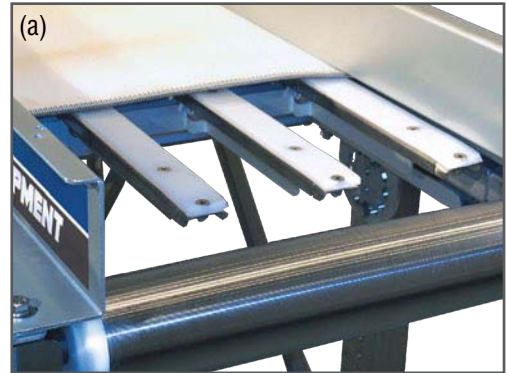
Standard lengths: 3'–30' at 1' increments

*Consult your EMI representative for other widths and lengths

Custom Clean Room Automation Systems

Our ACR line of clean room friendly conveyors offers medical molders a high-quality, economical solution for automating their clean room facilities.

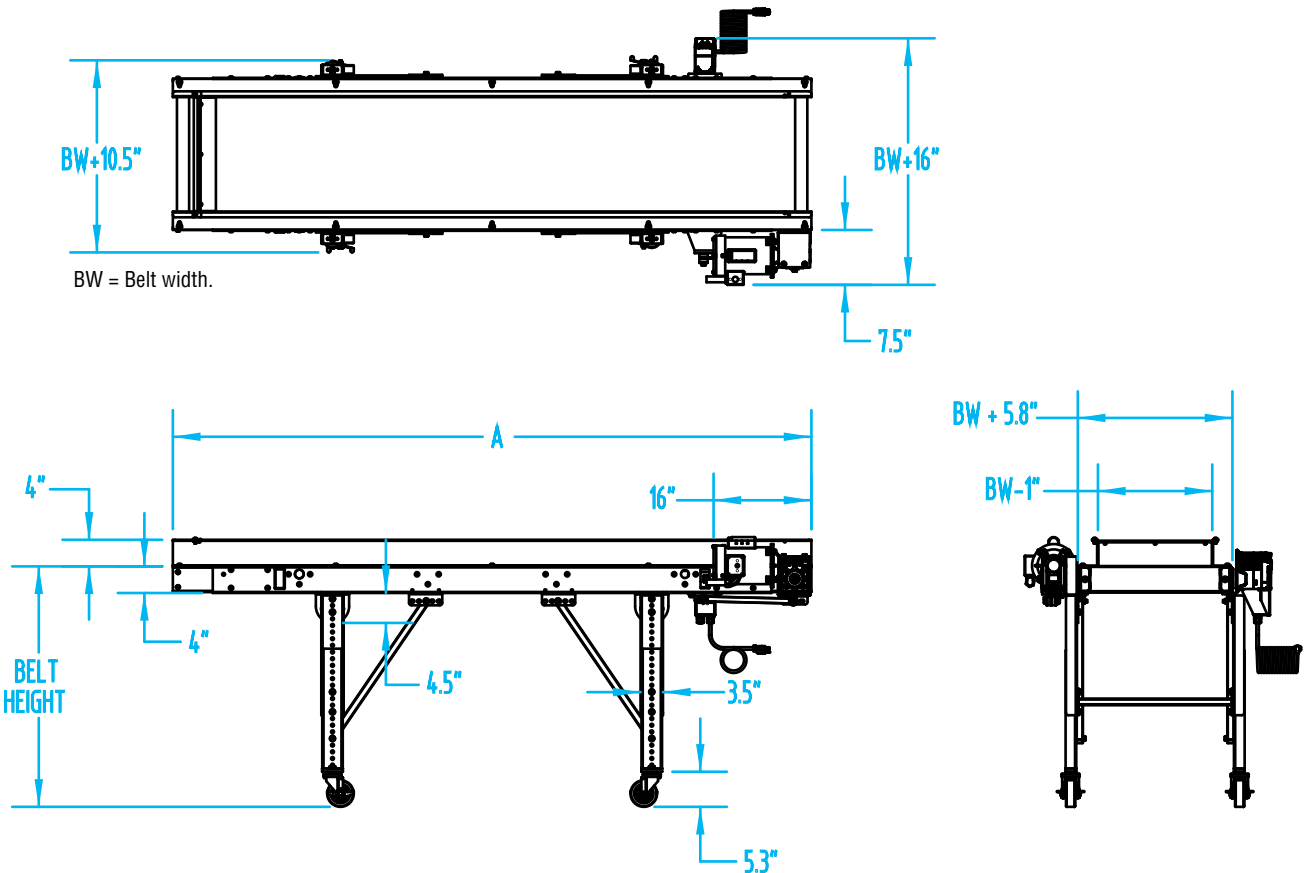
These standard and optional features can also be built into many of EMI's standard conveyors and automation systems. We can custom design and build a complete clean room automation system including conveyors, cycle count and filling systems and end-of-arm tooling.



Click for 360° View!

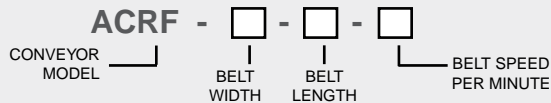
Features

- Anodized aluminum framing and side rails along with stainless steel guarding and legs resist corrosion and eliminate paint-chip contamination.
- Direct Drive configuration with 1/3 hp AC motor.
- USDA/FDA approved belting material.
- An open-construction slide bed with UHMW contact strips eliminates places where abrasive debris can collect (a).
- Sealed bearings reduce the chance of lubricant leaks.
- 15' power cord included. Pre-wired ready to run (except polyphase systems which require some customer wiring).
- Control wiring contained in liquid-tight conduit.
- Units up to 10' length ship fully assembled.
- 3-Year Limited Warranty, see page 3.



BW = Belt width.

How to Order:



Specify the conveyor Infeed Belt Height and Discharge Belt Height. Leg set #1 will be located under drive package for 3'-6' long and 6"-9" wide conveyors. Horsepower charts are on page 170. Download Conveyor Specifications Form [here](#).

Common Options

- Stainless steel framing side rails.
- **Sealed belt edges to minimize dust from belt fraying.**
- Non-fraying Intralox® plastic belting eliminates friction contamination and is fast and easy to clean.
- Wash-down compliant electrics.
- USDA/FDA approved Delrin® rail lining.
- Maintenance-free, eco-friendly gearbox lubricated with food-grade grease to prevent leak contamination.
- Deionizing blowers to eliminate static electricity and prevent particulates from sticking to parts.
- Catch trays to prevent particulates from escaping into the environment.

Clean Room Conveyor ACRC Aluminum Frame | Cleated Belt

Standard belt widths: 6", 9", 12", 18", 24", 30", 36"

Standard lengths: 3'–30' at 1' increments

*Consult your EMI representative for other widths and lengths

Custom Clean Room Automation Systems

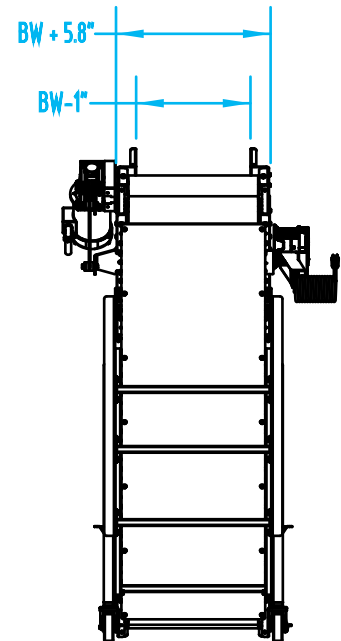
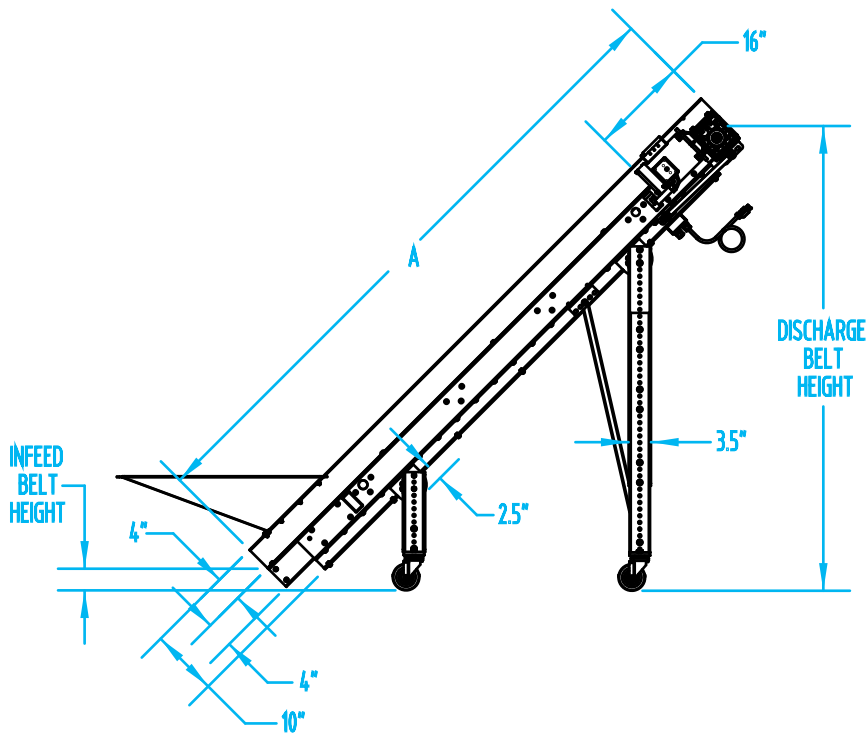
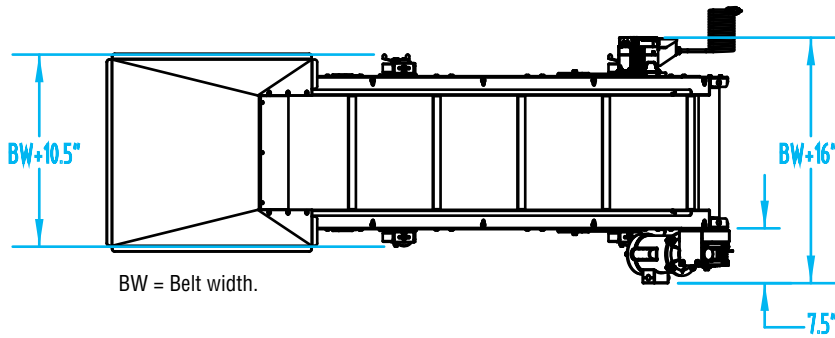
These standard and optional features can be built into many of EMI's other conveyors and automation systems. We can custom design and build a complete clean room automation system including conveyors, cycle count and filling systems, and end-of-arm tooling.



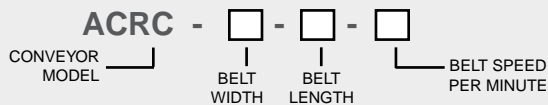
Click for 360° View!

Features

- Anodized aluminum framing and side rails, along with stainless steel guarding and legs resist corrosion and eliminate paint-chip contamination.
- Direct Drive configuration with 1/3 hp AC motor.
- USDA/FDA approved belting material.
- An open-construction slide bed with UHMW contact strips eliminates places where abrasive debris can collect.
- Sealed bearings reduce the chance of lubricant leaks.
- 15' power cord included. Pre-wired ready to run (except polyphase systems which require some customer wiring).
- Hopper not included.
- Control wiring contained in liquid-tight conduit.
- Units up to 10' length ship fully assembled.
- 3-Year Limited Warranty, see page 3.



How to Order:



Specify the Infeed Belt Height and Discharge Belt Height. Leg set #1 will be located under drive package for 3'-6' long and 6"-9" wide conveyors. Horsepower charts are on page 170. Download Conveyor Specifications Form [here](#).

Common Options

- Stainless steel framing and side rails.
- **Sealed belt edges to minimize dust from belt fraying.**
- Non-fraying Intralox® plastic belting eliminates friction contamination and is fast and easy to clean.
- Wash-down compliant electrics.
- USDA/FDA approved Delrin® rail lining.
- Maintenance-free, eco-friendly gearbox lubricated with food-grade grease to prevent leak contamination.
- Deionizing blowers to eliminate static electricity and prevent particulates from sticking to parts.
- Catch trays to prevent particulates from escaping into the environment.

Clean Room Conveyor ACRK Aluminum Frame | Adjustable Angle

Standard belt widths: 6", 9", 12", 18", 24", 30"

Standard lengths: 5'–15' at 1' increments

*Consult your EMI representative for other widths and lengths

Custom Clean Room Automation Systems

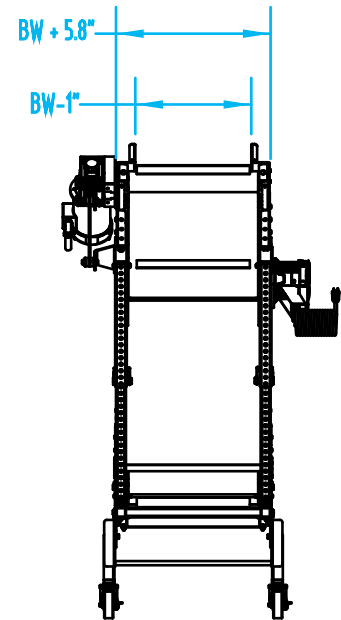
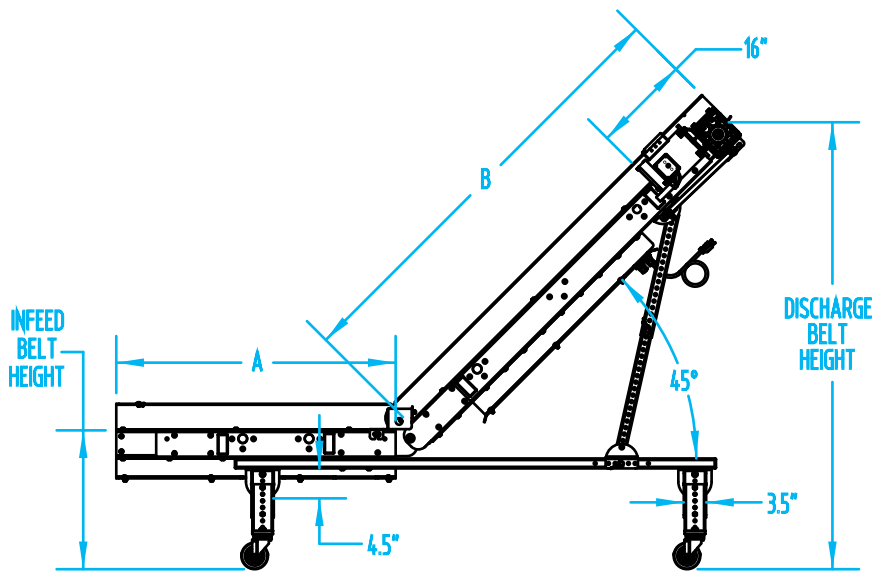
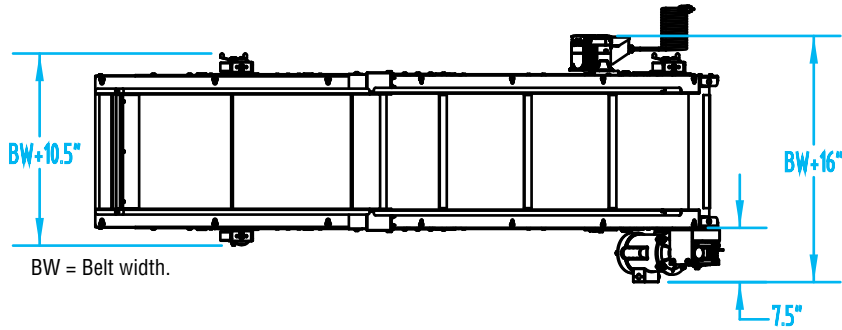
These standard and optional features can be built into many of EMI's other conveyors and automation systems. We can custom design and build a complete clean room automation system including conveyors, cycle count and filling systems, and end-of-arm tooling.



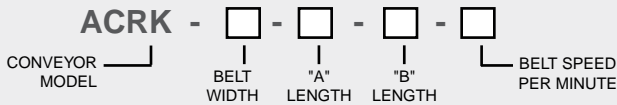
Click for 360° View!

Features

- Anodized aluminum framing and side rails, along with stainless steel guarding and legs resist corrosion and eliminate paint-chip contamination.
- Direct Drive configuration with 1/3 hp AC motor.
- USDA/FDA approved belting material.
- An open-construction slide bed with UHMW contact strips eliminates places where abrasive debris can collect.
- Sealed bearings reduce the chance of lubricant leaks.
- 15' power cord included and pre-wired ready-to-run (except polyphase systems which require some customer wiring).
- Control wiring contained in liquid-tight conduit.
- Units up to 10' length ship fully assembled.
- 3-Year Limited Warranty, see page 3.



How to Order:



For 6", 9", 12", and 18" belt width models, the motor is located at the discharge. For 24" and 30" wide models, the motor is located at the infeed. The "A" dimension infeed length minimum is 2½'. The "B" dimension incline length minimum is 2½'. Contact EMI if A + B exceeds 15'. 11" min. infeed belt height with standard legs and castors. Download Conveyor Specifications Form [here](#).

Common Options

- Stainless steel framing and side rails.
- **Sealed belt edges to minimize dust from belt fraying.**
- Non-fraying Intralox® plastic belting eliminates friction contamination and is fast and easy to clean.
- Wash-down compliant electrics.
- USDA/FDA approved Delrin® rail lining.
- Maintenance-free, eco-friendly gearbox lubricated with food-grade grease to prevent leak contamination.
- Deionizing blowers to eliminate static electricity and prevent particulates from sticking to parts.
- Catch trays to prevent particulates from escaping into the environment.

Clean Room Conveyor Options

Minimizing grease, oil, dirt and debris in a sanitary environment can be one of the biggest challenges for medical molders. EMI designed conveyors that offer a high-quality, economical solution for automating clean room facilities. These standard conveyors can be customized with several available options to better suit a molder's specific needs. Our clean conveyors' sturdy construction makes them reliable and durable even under the most demanding applications.

Corrosion Resistant: Aluminum or stainless steel framing as well as stainless steel guarding and legs resist corrosion and eliminate paint-chip contamination.

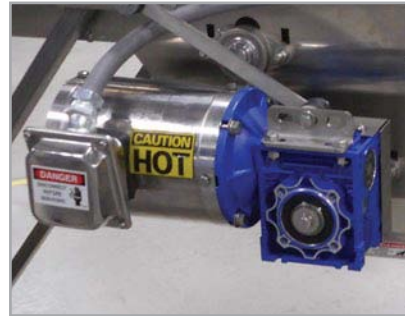
USDA/FDA Approved Belting Material

Direct Drive: Replaces leak-prone, chain-driven drive packages.

Open-Construction Slide Bed: With UHMW contact strips eliminates places where abrasive debris can collect.

Sealed Bearings: Reduces the possibility of lubricant leaks.

Part Cooling: Ambient air cooling with HEPA air filter.



Wash-down motor



This clean room stainless steel tote filling system utilizes a flat belt ACRF and gravity rollers. Boxfill controls, sweep arms, box stops and indexing rails position totes for precise filling. Please note our power rollers cannot be sprayed down, but can be cleaned with an alcohol solution.

Clean Room Conveyor Options

Common Clean Room Options:

- Stainless steel framing.
- Sealed belt edges to minimize dust from belt fraying.
- Non-fraying Intralox® plastic belting eliminates friction contamination and is fast and easy to clean.
- Wash-down compliant electrics.
- USDA/FDA approved Delrin® rail lining.
- Maintenance-free, eco-friendly gearbox lubricated with food-grade grease to prevent leak contamination.
- Deionizing blowers to eliminate static electricity and prevent particulates from sticking to parts.
- Catch trays to prevent particulates from escaping into the environment.
- Sealed bearings reduce the possibility of lubricant leaks.
- Sealed pulley for easy tear-down and cleaning.

