

EMI[®]

INDUSTRIAL COBOT STANDS



Ready-to-Ship
Affordable
Heavy-Duty

EMInc.com

Adaptable Base Design

A grid of threaded M8 holes, spaced every 40mm allows the fixed and adjustable height risers to be placed anywhere on the mobile base.

Combine with EMI's Cobot Ready Conveyors

EMI Cobot-Ready Conveyors are certified by Doosan, UR, and compatible with various other robot platforms. Achieve easy and continuous part transfer ideal for pick and place, machine tending, packaging applications.

Reliable Manufacturing, Made in USA

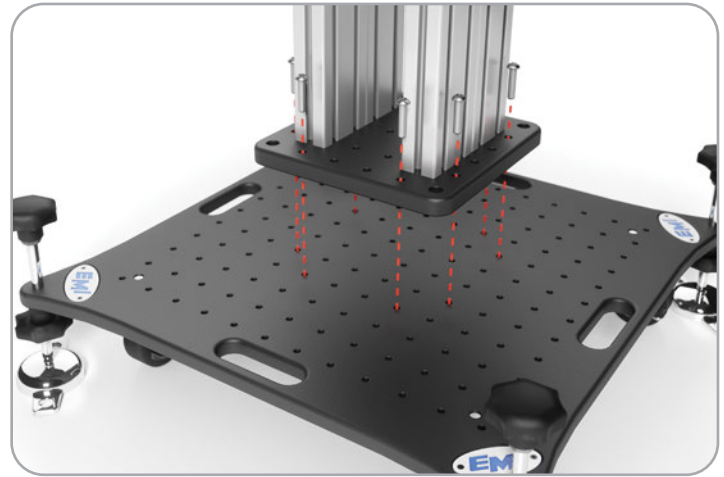
Our production facility in Jackson Center, Ohio can design and build custom industrial equipment for cobots. If you need a custom stand, contact us at: Cobots@EMInc.com.

Stands Ship Fully Assembled

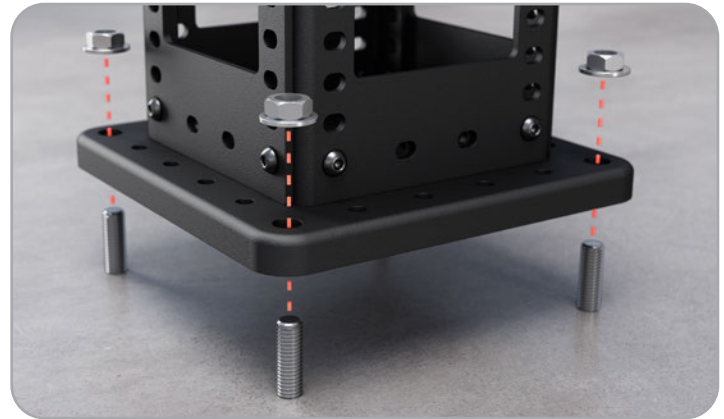
All stands are available for purchase online. Freight dimensions and weights can be found on our online product pages.



With M8 threaded every 40mm, the cobot stand riser can be placed anywhere on the mobile base.



Fixed-base stands easily anchor to floor:

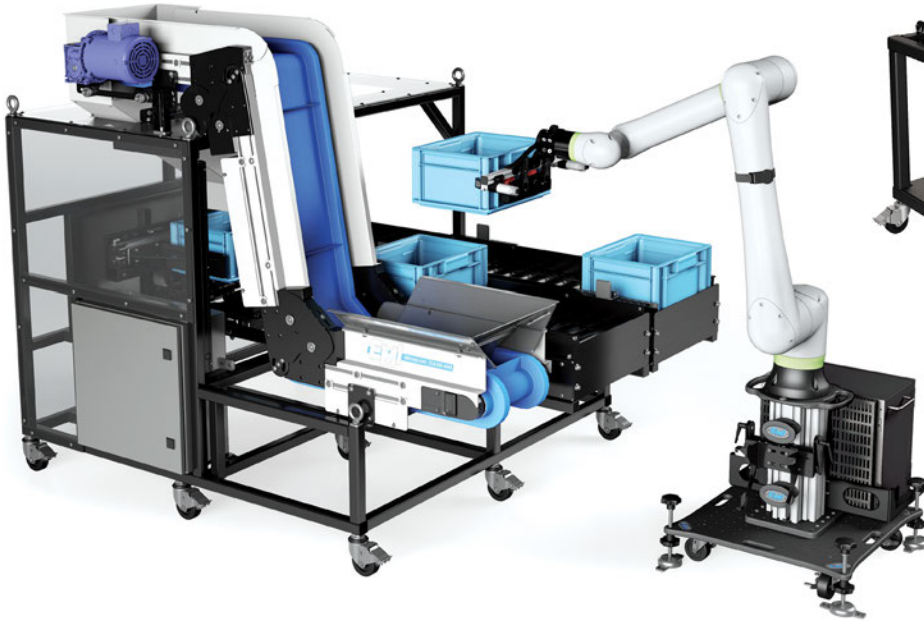


Click to view our Cobot Stand video!



Everything but the cobot!

Our Conveyor - Our Cobot Stand - Our End Effector - Our Work Table - Your Cobot



Adjustable Height Cobot Stand

EMI's Cobot Pedestals extend the reach of a cobot arm. These heavy-duty robot stands are perfect to an industrial environment where redeployment and adjustability may be required.

The extruded aluminum profile riser is the perfect solution when a variable height set-up is needed. These pedestals can be fixed directly to the floor using ½" floor anchors or integrate onto our mobile base for easy mobility and redeployment.

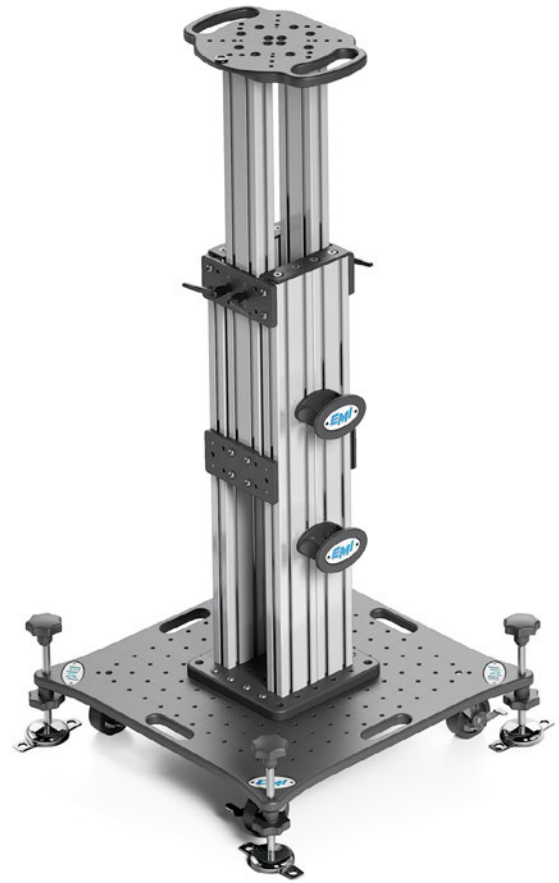
Custom height options and configurations are available upon request.

Features:

- Aluminum profile riser with adjustable height.
- Dual handle on each side of riser for easier adjustments.
- Cable management included (x2).
- In-Stock standard sizes for quick delivery.
- Accepts (4x) ½" floor anchor (not supplied with stand).
- Locking casters and leveling pads (mobile base units only).



Adjustable Height Cobot Stand



Fixed Base (Aluminum Profile Riser) with Adjustable Height

Quick #	Part #	Description	Wt.	Price
8920	CRS-FA-2339	23.7"–39.9" OAH	59 lbs	\$1,610.00
8921	CRS-FA-3054	30.8"–54" OAH	65 lbs	\$1,662.00

Mobile Base (Aluminum Profile Riser) with Adjustable Height

Quick #	Part #	Description	Wt.	Price
8901	CRS-MA-2844	28.5"–44.5" OAH	167 lbs	\$2,920.00
8902	CRS-MA-3558	35.5"–58.8" OAH	173 lbs	\$2,972.00

When ordering, use Quick#s to ensure order accuracy.

Note: The mobile base unit adds roughly 4.7" to the overall height.



Electric Riser Cobot Stand

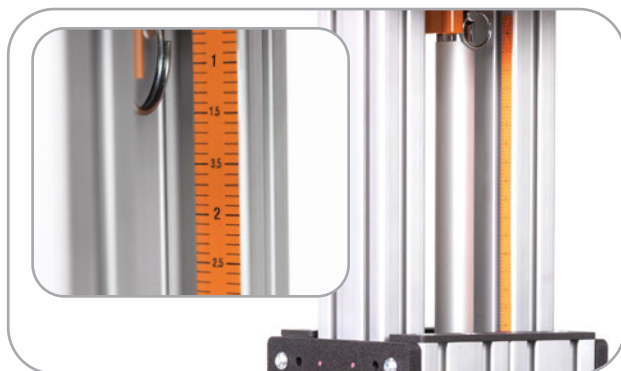
The New Electrically-Driven Riser from EMI offers the same mobility and rugged design as our standard stands, with the added convenience of a precise, 400 pound capacity lift available in 16" and 24" strokes.

With 4 user-defined positions, you can now recall your robot's position for the right job with the touch of a button. Alternately, you can disengage the electric actuator for manual operation or in case of power loss.

The Electric Riser is compatible with the mobile base and can be shipped pre-assembled for your convenience. Once your position is set, it is recommended to tighten the orange riser levers for added stability and peace of mind.

Features:

- Electrically-driven riser is actuated by the end user. This product is not to be used as a 7th axis that is controlled by the robot.
- Aluminum extrusion riser with electrically-driven height adjustment via touch control.
- 400 lbs. maximum lift capacity.
- Four programmable positions for height adjustment.
- Available in 16" and 24" stroke.
- Dual handle on each side of riser for tightening in case of loss of power.
- Cable management included (x2).
- Accepts (4x) ½" floor anchor (not supplied with stand).
- Locking casters and leveling pads (mobile base units only).



Electric Riser Cobot Stand



Fixed Base w/ Electrically-Driven Aluminum Riser

Quick #	Part #	Description	Wt.	Price
8960	CRS-FAE-2743	16" Adjustable Stroke 27"-43" OAH	84 lbs	\$3,363.00
8961	CRS-FAE-3559	24" Adjustable Stroke 35"-59" OAH	94 lbs	\$3,487.00

Mobile Base w/ Electrically-Driven Aluminum Riser

Quick #	Part #	Description	Wt.	Price
8970	CRS-MAE-3248	16" Adjustable Stroke 32"-48" OAH	192 lbs	\$4,673.00
8971	CRS-MAE-4064	24" Adjustable Stroke 40"-64" OAH	202 lbs	\$4,797.00

Note: The mobile base unit adds roughly 4.7" to the overall height.



Fixed Height Cobot Stand

When a more robust cobot pedestal is required, consider EMI's Fixed Height Cobot Stand. The powder coated, 7ga. steel riser is available in 30", 36", 42" and 48" height options and is ideal for applications that require repeatable height.

Similar to the adjustable riser, the fixed height cobot stand can be secured directly to the floor with ½" floor anchors or a mobile base unit can be added for easier mobility and redeployment.

Custom paint, height options and configurations are available upon request.

Features:

- 7 gauge steel riser with fixed heights.
- Powder coated matte black.
- Cable management included (x2).
- Integrated shelves for storage.
- Locking casters and leveling pads (mobile base unit only).



Fixed Height Cobot Stand



Fixed Base (Steel Riser) with Fixed Height

Quick #	Part #	Description	Wt.	Price
8930	CRS-FF-30	30.6" OAH	68 lbs	\$1,271.00
8931	CRS-FF-36	36.9" OAH	71 lbs	\$1,346.00
8932	CRS-FF-42	42.5" OAH	79 lbs	\$1,421.00
8933	CRS-FF-48	48.7" OAH	87 lbs	\$1,496.00

Mobile Base (Steel Riser) with Fixed Height

Quick #	Part #	Description	Wt.	Price
8910	CRS-MF-35	35.3" OAH	176 lbs	\$2,581.00
8911	CRS-MF-41	41.6" OAH	179 lbs	\$2,656.00
8912	CRS-MF-47	47.2" OAH	187 lbs	\$2,731.00
8913	CRS-MF-53	53.5" OAH	195 lbs	\$2,806.00

Note: The mobile base unit adds roughly 4.7" to the overall height.



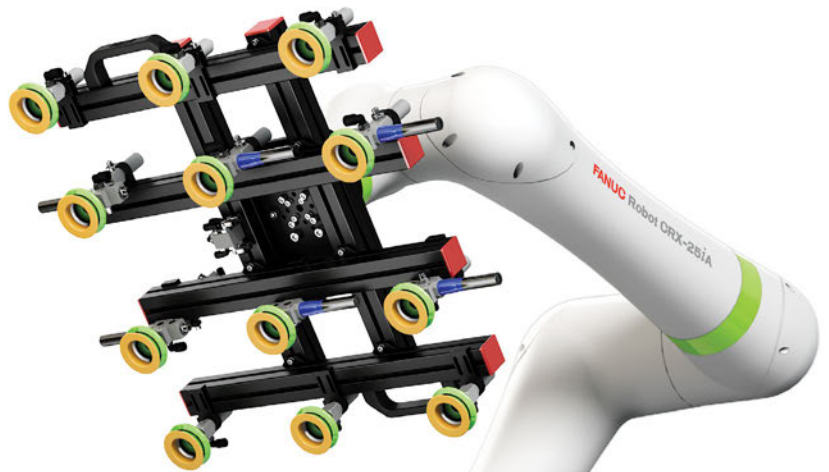
Heavy-Duty Fixed Height Cobot Stand

Designed with larger collaborative robots in mind, EMI's New Heavy-Duty Cobot Stand offers versatility, ease of use great quality at a competitive price.

Given the design for larger robots, this fixed base stand is to be secured to the floor using 1/2" floor anchors.

As with our other cobot stand models, the Heavy-Duty Cobot Stand is in-stock and ready to ship when you place an order.

Standard height is 31". Custom height and robot mounting options available.



Features:

- Lifting eye bolt for easy lifting.
- Includes (2x) standard-size and (2x) XL cable management brackets for oversized cables and connectors.
- Accepts (4x) 1/2" floor anchor (not supplied with stand).



NEW!



Heavy-Duty Fixed Height Cobot Stand



Heavy-Duty Fixed Base with Fixed Height

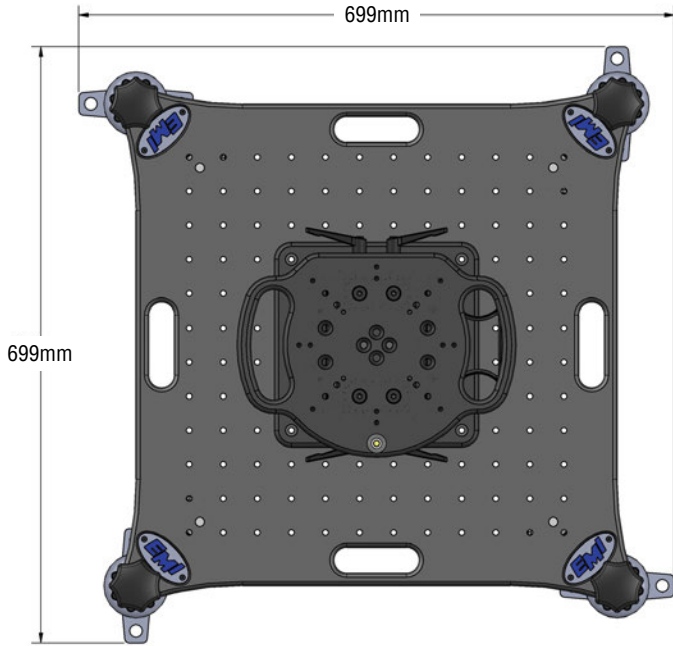
Quick #	Part #	Description	Wt.	Price
8935	CRS-FF-31-HD	31" OAH	210 lbs	\$2,235.00

When ordering, use Quick#s to ensure order accuracy.

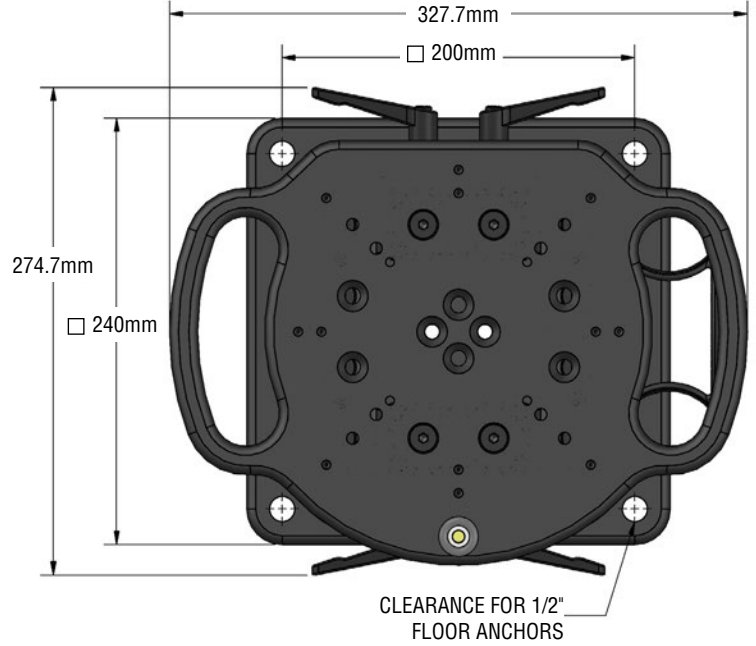


Cobot Stand Footprint

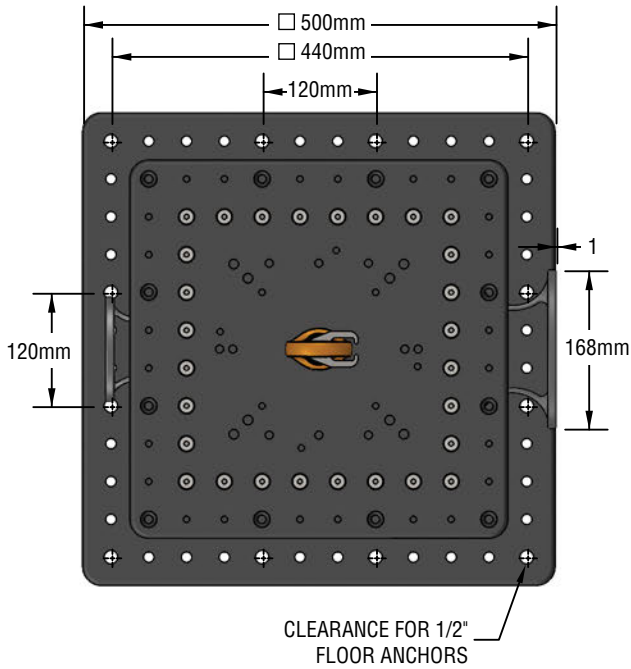
Mobile Stand Footprint



Fixed Stand Footprint



Heavy-Duty Fixed Stand Footprint



Cobot Mounting Plates

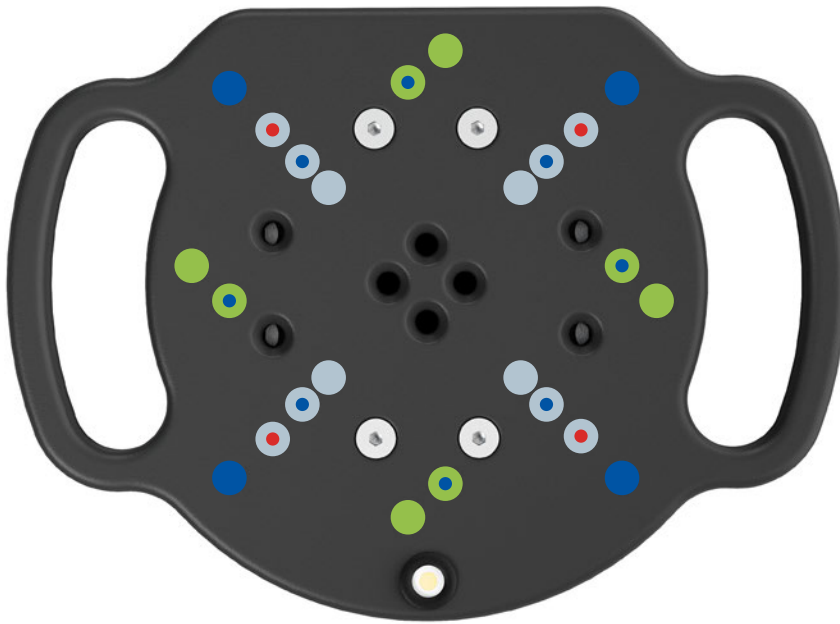
Robust and versatile, EMI cobot mounting plates come ready for many cobots listed on the next page.

Need a custom robot mounting plate?

We can help! Contact us today!

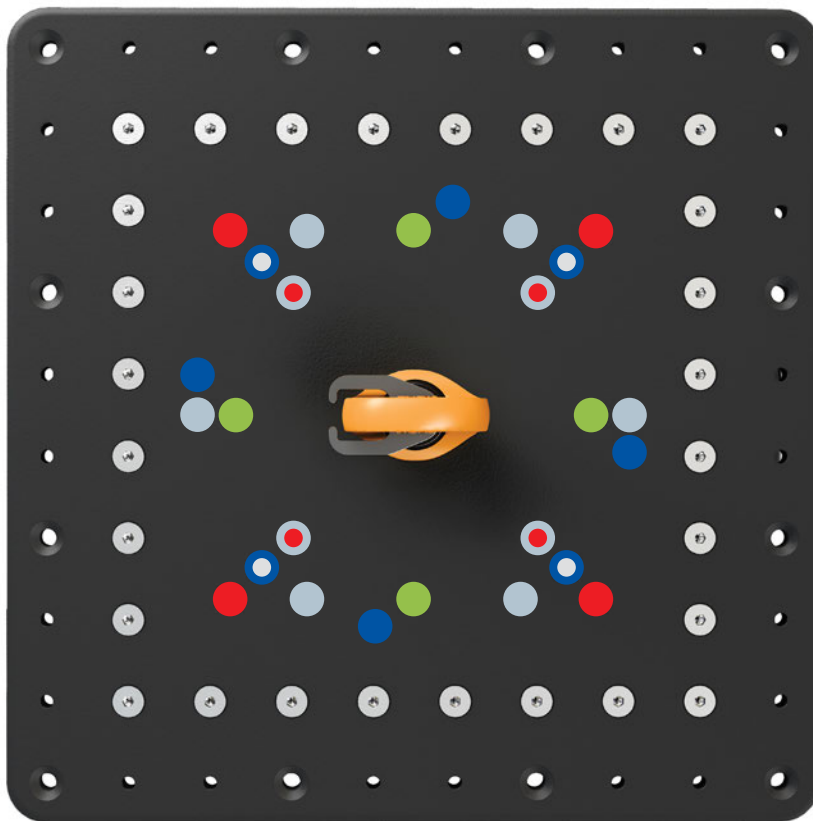


Cobot Stand Mounting Pattern Compatibility



Adjustable / Fixed / Electric Cobot Stand Compatibility

Universal Robots	Thread	Mounting Pattern
UR3	(4x) M6	Ø110mm
UR5	(4x) M8x1.25	Ø132mm
UR10 / UR16		Ø170mm
Fanuc	Thread	Mounting Pattern
CRX 5	(4x) M8x1.25	Ø132mm
CRX 10		Ø170mm
Doosan	Thread	Mounting Pattern
M Series / A Series	(4x) M8x1.25	□150mm
Techman	Thread	Mounting Pattern
TM5	(4x) M10x1.5	□110mm
TM12 / TM14		Ø182mm



Heavy-Duty Cobot Stand Compatibility

Universal Robots	Thread	Mounting Pattern
UR10 / UR16	(4x) M8x1.25	Ø170mm
UR20	(6x) M10x1.5	Ø210mm
Fanuc	Thread	Mounting Pattern
CRX 10 / CRX 20	(4x) M8x1.25	Ø170mm
CRX 25	(4x) M12x1.75	□180mm
Doosan	Thread	Mounting Pattern
H Series	(4x) M12x1.75	□150mm
M Series / A Series	(4x) M8x1.25	
Techman	Thread	Mounting Pattern
TM12 / TM14 / TM16	(4x) M10x1.5	Ø182mm



www.youtube.com/EMICorpVideo

Visit and subscribe to EMI's YouTube channel to watch the latest videos!

Optional Accessories for EMI Cobot Stands

Control Box Hangers and Mounts



Q#8940 For Universal Robot

Q# 8943 For Doosan and Fanuc CRX

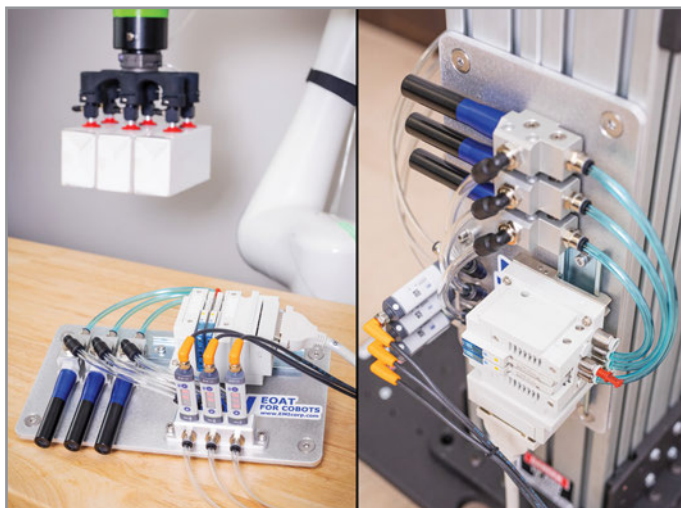


Q#8945 For Techman Control Box Mount swivels for ease of access.

Optional Accessories – Control Box Hangers and Mounts

Quick #	Part #	Description	Price
8940	CRS-CBM-UR	UR Control Box Mount	\$35.00
8943	CRS-CBM-DO	Doosan & Fanuc CRX Control Box Mount	\$204.00
8945	CRS-CBM-TM	Techman Control Box Mount w/ Swivel	\$204.00

When ordering, use Quick#s to ensure order accuracy.



Need the supporting pneumatic equipment to regulate and control these gripper kits?

EMI has you covered!

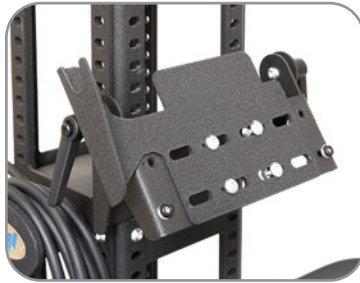
Our supply filter-regulator kit provides simple mechanical on-off control and preps your compressed air before delivery to our pneumatic valve kit, which includes a 3-zone valve stack to operate both grippers and blow-off independently.

Optional Accessories for EMI Cobot Stands

Adjustable Tilt Pendant / Controller Hangers



Q#8941 For Universal Robot



Q# 8944 For Doosan



Q#8946 For Fanuc CRX

Cable Management / DIN Rail Mounting Bracket



Q#8942 Cable Management (2x included with Stands)



Q#8947 X-Large Cable Management (2x included with the Heavy-Duty Stand)



Q#2809 Din Rail Mounting Bracket (shown attached to the stand)

Optional Accessories

Quick #	Part #	Description	Price
8941	CRS-TPH-UR	UR Pendant Hanger w/ Adj. Tilt Angle*	\$99.00
8944	CRS-TPH-DO	Doosan Pendant Hanger w/ Adj. Tilt Angle	\$109.00
8946	CRS-TPH-CRX	Fanuc CRX Pendant Hanger w/ Adj. Tilt Angle	\$136.00
8942	CRS-CM-1	Cobot Stand Cable Management (x2)	\$39.00
8947	CRS-CM-1-XL	XL Cobot Stand Cable Management (x2)	\$127.00
2809	CRA-DRM-1	Din Rail Mount Bracket Kit (includes hardware)	\$37.89

*Teach pendant hanger includes bracket for older model (CB-Series) UR Teach Pendant

Don't see accessories for your robot model?

Check online as we are constantly adding new accessories or contact us for a custom solution.



Easy Online Ordering!

EMI provides advanced solutions for Collaborative Robots. All our standard size Cobot stands listed in this brochure can be ordered online.

Stands ship fully assembled. Contact us for more information: Cobots@EMlcorp.com



**Ask about our EOAT for Cobots,
and Conveyor Catalogs!**



Sales & Design Engineering

Sales@EMlcorp.com
Phone: 216-535-4848

28300 Euclid Ave.
Wickliffe, Ohio 44092



Manufacturing & Administrative Offices

801 West Pike Street,
Jackson Center, Ohio 45334



EMI Mexico

Ventas@EMlcorp.com
Teléfono: +52 (442) 349-7646

Parque Industrial Querétaro
Santa Rosa de Jáuregui, Querétaro 76220

© 2023 EMI Corporation. All Rights Reserved.

No parts of this publication may be reproduced or transmitted in any form or by any means, electronic, mechanical, photocopying or otherwise, without the prior written permission of EMI Corp. We reserve the right to make alterations. UR Universal Robots, Doosan, TM Techman Robot, and Fanuc are trademarks of their respective owners.

Q# 9022
05/2023