

FT Series Fiberglass Cooling Tower



FT8250 Cooling Tower

Standard Features

Fiberglass Construction

Corrosion resistant rugged fiberglass withstands harsh weather and industrial manufacturing environments.

Direct Drive Fan Motor

Direct drive motor with permanently sealed bearing connected direct to fan to eliminate motor bearing, belt, pulley, and gear box maintenance.

Stainless Steel Fasteners

Stainless steel fasteners provide added strength and corrosion resistance for long life and durability in severe environmental conditions.

PVC Fill and Internal Piping

Optimal efficiency and long life with low maintenance and no concern of rust or corrosion typical of galvanized steel towers.

Fiberglass Inlet Louvers

Air inlet louvers kept unwanted debris and animals out of the basin and ensure water splashes in the basin stay in the tower.

Pressurized Water Distribution System

Pressurized, nonferrous rotating sprinkler head with large non-clogging openings and PVC distribution piping for trouble-free operation.

Factory Assembled

Fully assembled with motor and fan removed to prevent shipping damage makes installation quick and easy.

Warranty

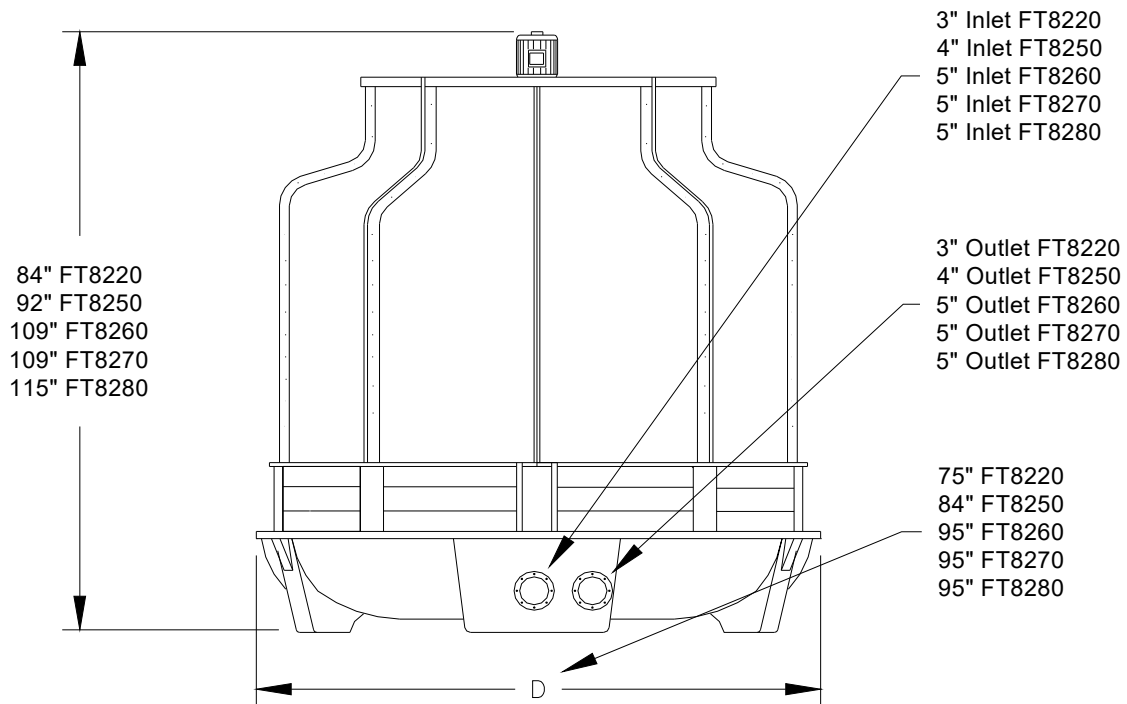
10 year parts on fiberglass shell

1 year parts on complete cooling tower

Model	Cooling Tons ¹	Fan Motor		Nominal Flow (gpm)	Inlet Pressure Required (psi)	Operating Range (gpm)	Shipping Weight (lbs)	Operating Weight (lbs)
		hp	FLA @ 460/3/60					
FT8220	38	2	4	114	3	60 to 200	600	1,475
FT8250	60	2	5	180	5	90 to 340	750	2,100
FT8260	80	3	6	240	5	180 to 500	1,250	2,780
FT8270	100	3	6	300	5	180 to 500	1,300	2,890
FT8280	120	5	8	360	5	180 to 500	1,400	3,050

¹Cooling Tons based on 15,000 BTU/Hr/ton with 85°F leaving water, 78°F wet bulb and 3 gpm/ton tower water.

FT Series Fiberglass Cooling Tower



PiovanGroup

5680 W. Jarvis Ave • Niles, IL 60714

847.966.2260 • sales@thermalcare.com

www.thermalcare.com

January 2024

Thermal Care is ISO-9001 Certified
Manufacturer reserve the right to change specification
or design without notification or obligation

FT Specification 01